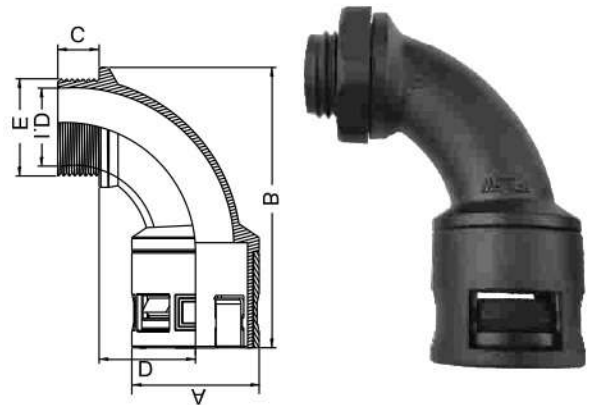


90 Degree Curve Connector



Product material: PA6 (polyamide)

Specification of thread: PG/Metric/G thread

Working temperature: -40~ +120°C

Certification: European environmental ROHS CE

Flame retardant grade: UL94 HB V-0 V-2

Protection degree: IP68

Color: Black Grey. Other colors are customizable

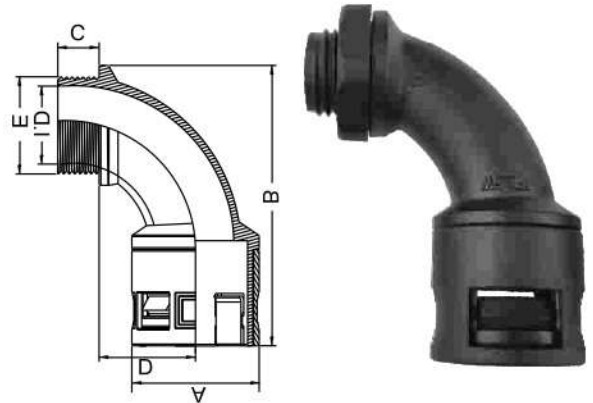
Property: Special design with inner locking buckle making the mounting and dismounting done by simple plugging or pulling, without using tools.

SGS CE RoHS

Part No	Size in Inches	PG							(pcs/bag)
			I.D.	A	B	C	D	E	
ODDB10-PG7	1/4" (10mm)	PG7	7.5	17.5	46	8	16.5	12.3	50
ODDB13-PG9	5/16" (13mm)	PG9	11	20.5	56	10.2	18.8	15	50
ODDB15-PG11	3/8" (15.8mm)	PG11	13.5	23	60.5	10.2	22.6	18.6	50
ODDB18-PG13.5	18.5mm	PG13.5	16.5	28	70	12	25.7	20.4	25
ODDB21-PG16	1/2" (21.2mm)	PG16	17.5	30	73.5	12	26	22.5	25
ODDB25-PG21	25mm	PG21	21.5	34	82	12	28.5	28	25
ODDB28-PG21	3/4" (28.5mm)	PG21	23	37	82	12.2	27.8	28.3	20
ODDB34-PG29	1" (34.5mm)	PG29	30.5	44	96.5	12	36.5	37	20
ODDB42-PG36	1-1/4" (42.5mm)	PG36	37.5	53	110	12	41.7	47.3	10
ODDB54-PG48	2" (54.5mm)	PG48	48.5	66.5	126	14.5	46	59.3	5

Part No	Size in Inches	Metric							(pcs/bag)
			I.D.	A	B	C	D	E	
ODDB10-M10	1/4" (10mm)	M10x1.5	7	17.5	46	8	17	10	50
ODDB13-M12	5/16" (13mm)	M12x1.5	9	20.5	55.3	10.2	19	12	50
ODDB15-M16	3/8" (15.8mm)	M16x1.5	13	23	60	10.3	22.5	16	50
ODDB18-M20	18.5mm	M20x1.5	16.5	28	70	12.2	26	20	25
ODDB21-M20	1/2" (21.2mm)	M20x1.5	15.3	30	72	12	26.2	20	25
ODDB25-M25	25mm	M25x1.5	21	34	82	12.2	28	25	25
ODDB28-M25	3/4" (28.5mm)	M25x1.5	21	37	81	12.3	29.9	25	20
ODDB34-M32	1" (34.5mm)	M32x1.5	26.3	44	95	15	37.2	32	20
ODDB42-M40	1-1/4" (42.5mm)	M40x1.5	35.2	53	107.5	12.2	41.8	40	10
ODDB54-M50	2" (54.5mm)	M50x1.5	44.5	66.5	120	14.7	46.1	50	5

90 DEGREE CURVE CONNECTORS



Product material: PA6 (polyamide)

Specification of thread: PG/Metric/G thread

Working temperature: -40~ + 120°C

Certification: European environmental ROHS CE

Flame retardant grade: UL94 HB V-0 V-2

Protection degree: IP68

Color: Black Grey. Other colors are customizable

Property: Special design with inner locking buckle making the mounting and dismounting done by simple plugging or pulling, without using tools.

SGS CE RoHS

PART NO	Conduit Size	PG	(mm)						(pcs/bag)
			I.D.	A	B	C	D	E	
ODDB10-PG7	1/4" (10mm)	PG7	7.5	17.5	46	8	16.5	12.3	50
ODDB13-PG9	5/16" (13mm)	PG9	11	20.5	56	10.2	18.8	15	50
ODDB15-PG11	3/8" (15.8mm)	PG11	13.5	23	60.5	10.2	22.6	18.6	50
ODDB18-PG13.5	18.5mm	PG13.5	16.5	28	70	12	25.7	20.4	25
ODDB21-PG16	1/2" (21.2mm)	PG16	17.5	30	73.5	12	26	22.5	25
ODDB25-PG21	25mm	PG21	21.5	34	82	12	28.5	28	25
ODDB28-PG21	3/4" (28.5mm)	PG21	23	37	82	12.2	27.8	28.3	20
ODDB34-PG29	1" (34.5mm)	PG29	30.5	44	96.5	12	36.5	37	20
ODDB42-PG36	1-1/4" (42.5mm)	PG36	37.5	53	110	12	41.7	47.3	10
ODDB54-PG48	2" (54.5mm)	PG48	48.5	66.5	126	14.5	46	59.3	5