

Execution	Description	No. of Contacts	Action	TYPE	M.R.P. (Rs)
OPEN	With Push Rod & Plastic Protective Cover	1 NC	Normal	KLS011X-OA	226
	With Push Rod	1 NO+ 1 NC	Normal	KLS000X-OA	221
		1 NO+ 1 NC	Snap	KLS000X-OB	310
	With Push Rod & Plastic Protective Cover	1 NO+ 1 NC	Normal	KLS001X-OA	247
		1 NO+ 1 NC	Snap	KLS001X-OB	326
OPEN	With Push Rod & Plastic Protective Cover	2 NC	Normal	NKLS023X-OA	362
		2NO		NKLS203X-OA	347
		1NO+2NC		NKLS123X-OA	315
		2NO+1NC		NKLS213X-OA	394
		2NO+2NC		KLS224X-OA	478



KLS000X-OA
KLS000X-OB



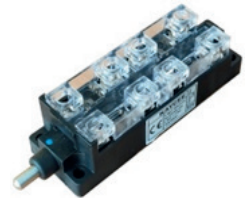
KLS001X-OA
KLS001X-OB



NKLS023X-OA
NKLS203X-OA



NKLS123X-OA
NKLS213X-OA



KLS224X-OA

With Plastic Push rod and protective cover



KLS000X-OA/P
KLS000X-OB/P

With Roller Plunger (TR)



KLS001X-OA/TR
KLS001X-OB/TR

With Roller Plunger (TR)



KLS001X-OA/XTR
KLS001X-OB/XTR

With Roller Plunger (TR) & Plastic FP Protective Cover



KLS001X-OA/TR
KLS001X-OB/TR

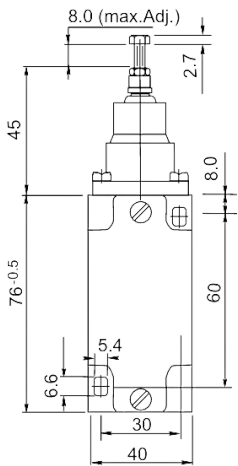
**Note : For Plastic Plunger price will be on request
For More Details : sales@kayceeindustries.com**



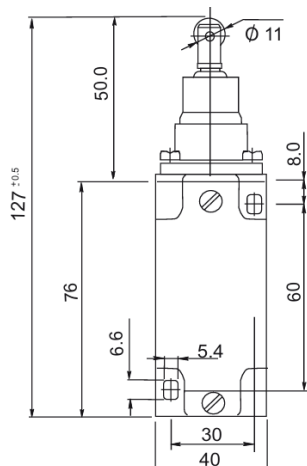
OLT (Oil Tight Limit Switch Series)

***2NO + 2NC on Request**

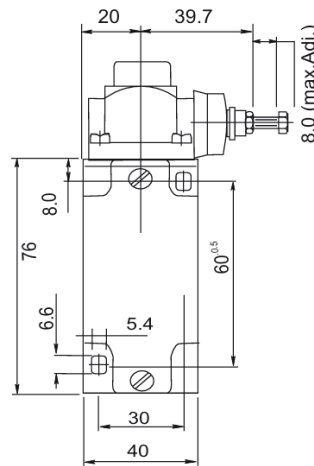
Type	Actuator	No. Of Contacts	NEW M.R.P. (Rs)
KLTPBA	Top Plunger	1 NO + 1 NC	999
KLTPR	Top push Roller	1 NO + 1 NC	999
KLSPBA	Side Plunger Adjustable	1 NO + 1 NC	1411
KLSPR	Side Push Roller	1 NO + 1 NC	1329
KLSL1	Rotating Short lever	1 NO + 1 NC	999
KLSCW	Spring Rod	1 NO + 1 NC	1360
KLSL2	Rotating Long lever	1 NO + 1 NC	999
KLSSLA	Rotating Adjustable Lever	1 NO + 1 NC	999



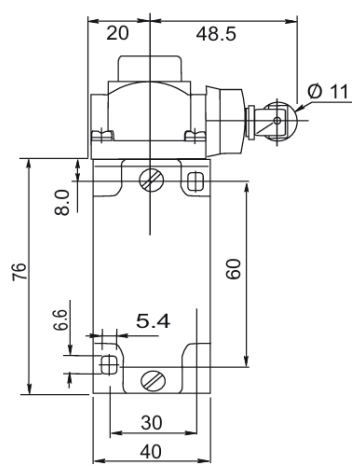
KLTPBA



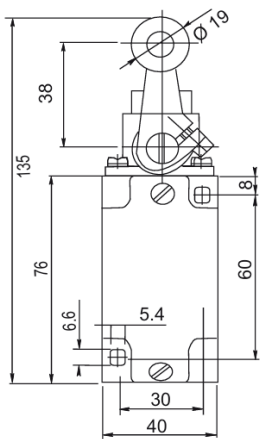
KLTPR



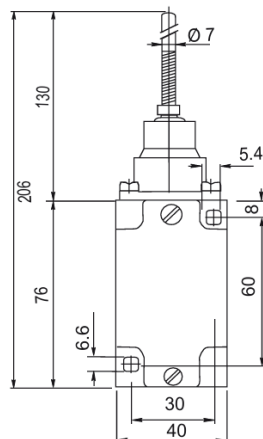
KLSPBA



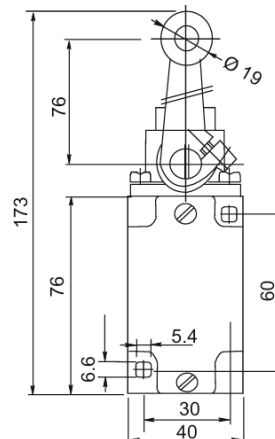
KLSPR



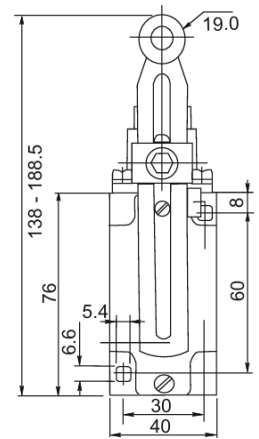
KLSL1



KLSCW



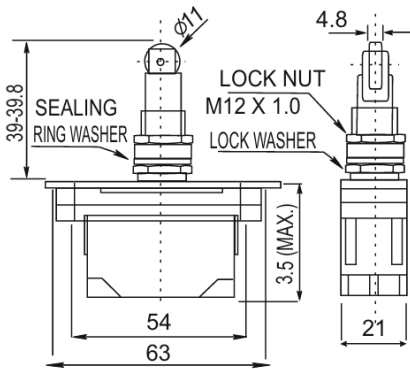
KLSL2



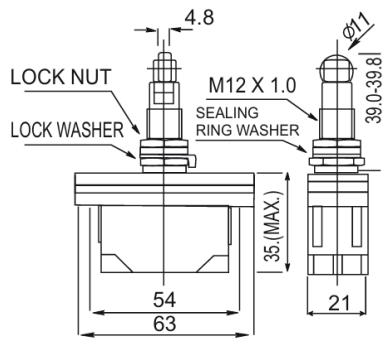
KLSSLA

BPS (Bits Per seconds Limit Switch Series)

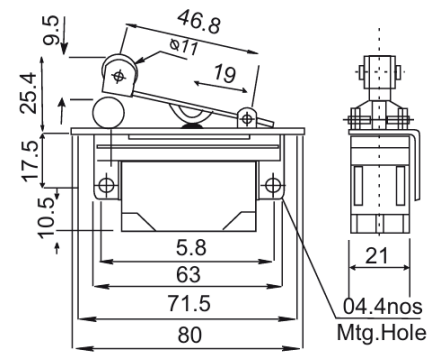
Type	Actuator	No. Of Contacts	M.R.P. (Rs)
KLTPRA1	Roller Plunger horizontal	1 NO + 1 NC	650
KLTPRA2	Roller Plunger horizontal	2 NO + 2 NC	905
KLTPRB1	Roller Plunger Across	1 NO + 1 NC	650
KLTPRB2	Roller Plunger Across	2 NO + 2 NC	905
KLRLR1	Roller Plunger In line	1 NO + 1 NC	660
KLRLR2	Roller Plunger In line	2 NO + 2 NC	905
KLRL1	Roller Lever	1 NO + 1 NC	660
KLRL2	Roller Lever	2 NO + 2 NC	905
KLSILR1	Long Lever	1 NO + 1 NC	660
KLSILR2	Long Lever	2 NO + 2 NC	905
KLSILL1	6" long Lever	1 NO + 1 NC	660



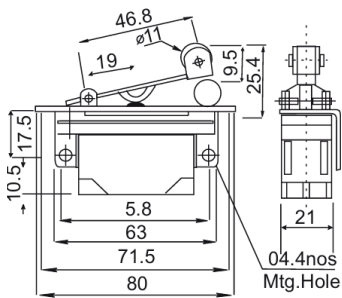
KLTPRA1
KLTPRA2



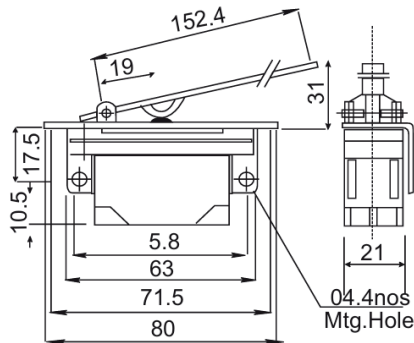
KLTPRB1
KLTPRB2



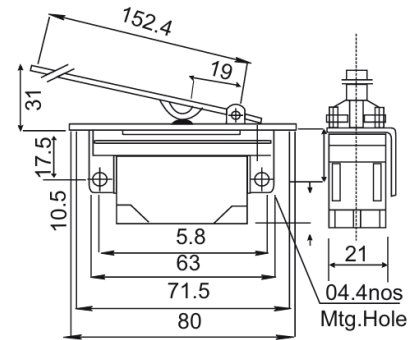
KLRLR1
KLRLR2



KLRL1
KLRL2



KLSILR1
KLSILR2

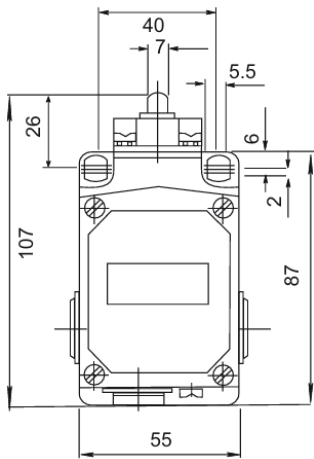


KLSILL1

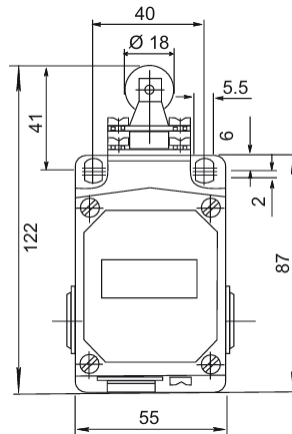
LL (Lever Limit-Limit Switch Series)

***2NO + 2NC on Request**

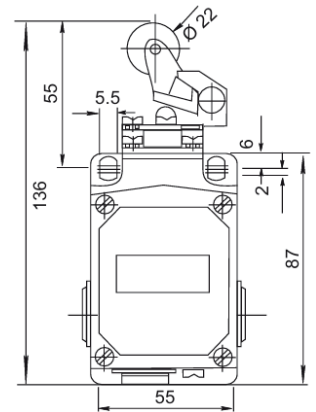
Type	Actuator	No. Of Contacts	NEW M.R.P. (Rs)
KLSPSO	Snap Action	1 NO + 1 NC	625
KLPSO	Normal Action	1 NO + 1 NC	605
KLPRSO	Snap Action	1 NO + 1 NC	745
KLPRO	Normal Action	1 NO + 1 NC	730
KLRSO	Snap Action	1 NO + 1 NC	730
KLSRO	Normal Action	1 NO + 1 NC	715
KLLRL	Snap Action	1 NO + 1 NC	825
KLLRLS	Slipping roller lever	1 NO + 1 NC	810
KLARL	Angular roller lever	1 NO + 1 NC	795
KLARS	Snap Action	1 NO + 1 NC	690
KLAR	Normal Action	1 NO + 1 NC	680



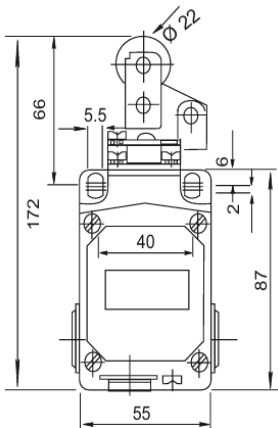
KLSPSO
KLPSO



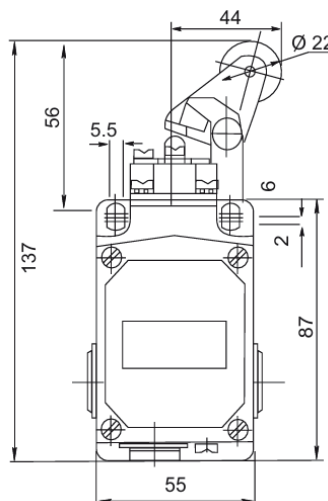
KLPRSO
KLPRO



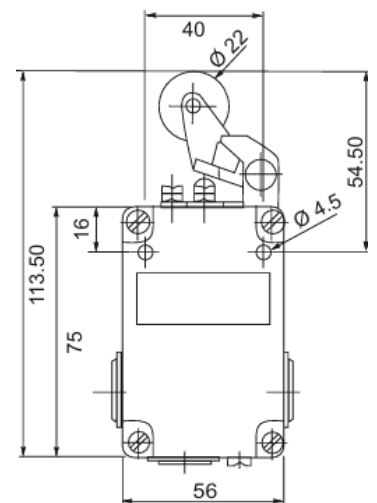
KLRSO
KLSRO



KLLRL
KLLRLS



KLARL



KLARS
KLAR