



# Rubber Grommets & Closures



- **Material** - Natural rubber, HRC 60 - 65 (Soft)

- **Made to order raw material** - 60% EPDM & 40% natural rubber, MOQ applicable

- **UV/EPDM** available for outdoor harsh and high temperature applications MOQ applicable

- **Suitable for 1.8 to 3 mm sheet size.** Available in open and close type.



Part Code	Part Description	Sheet Hole Dimensions		Packing Per Pac	MRP Per Pac.
		Inches	mm		
FCFGRGB0002	FCGB-01	3/8"	9.50	100	<b>300.00</b>
FCFGRGB0004	FCGB-02	1/2"	12.50	100	<b>380.00</b>
FCFGRGB0006	FCGB-03	5/8"	15.50	100	<b>400.00</b>
FCFGRGB0008	FCGB-04	3/4"	19.00	100	<b>460.00</b>
FCFGRGB0010	FCGB-05	7/8"	22.00	100	<b>485.00</b>
FCFGRGB0012	FCGB-06	1"	25.00	100	<b>450.00</b>
FCFGRGB0014	FCGB-07	1 1/4"	32.00	100	<b>730.00</b>
FCFGRGB0016	FCGB-08	1 1/2"	37.50	100	<b>1100.00</b>
FCFGRGB0018	FCGB-09	1 3/4"	44.00	100	<b>1200.00</b>
FCFGRGB0020	FCGB-10	2"	50.00	100	<b>1300.00</b>
FCFGRGB0022	FCGB-11	2 1/4"	56.25	100	<b>1450.00</b>
FCFGRGB0024	FCGB-12	2 1/2"	62.50	100	<b>2400.00</b>

## TPR Open Type Grommets

FCFGRGB0026	FC-GBP-04	3/4"	19.00	100	<b>300.00</b>
FCFGRGB0028	FC-GBP-06	1"	25.00	100	<b>430.00</b>



## Rubber Grommets

**Part code :** FCFGRGB035

**Part description:** FCBRG-12 60MM blind membrane rubber grommet

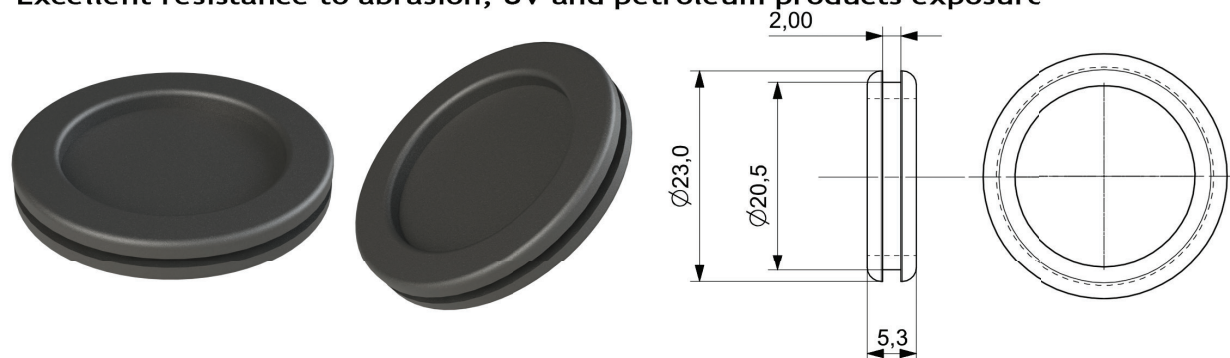
**Raw materials:** Neoprene / Hardness: 55 to 60 Shore 'A'

**Temperature range:** - 40 °C to + 120 °C

**Colour:** Black Ral 9005

**Packing 100Nos INR Per Pac : Rs. 5760.00**

**Excellent resistance to abrasion, UV and petroleum products exposure**



**Part code :** FCFGRGB029

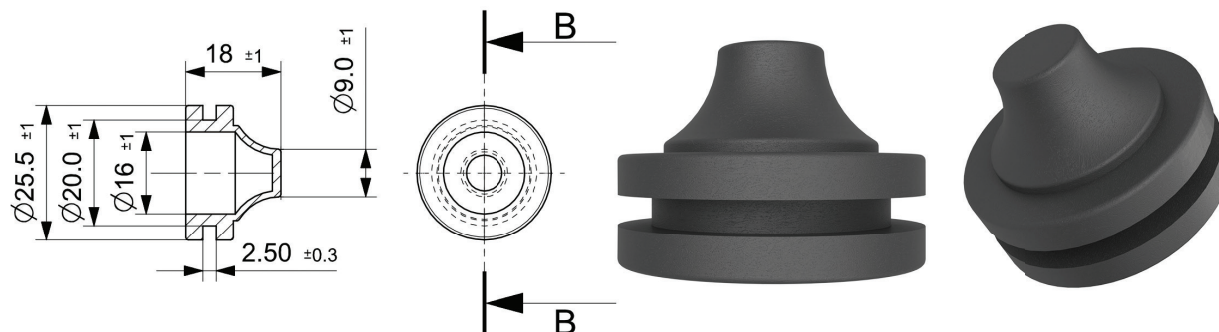
**Part description:** TPR cone grommet 20mm

**Raw materials:** TPR temperature range -10°C to +80 °C

**Colour:** Black Ral 9005

**Hardness :** 50 to 55 Shore 'A'

**Packing 100Nos INR Per Pac : Rs. 670.00**



**Part code :** FCFGRGB032

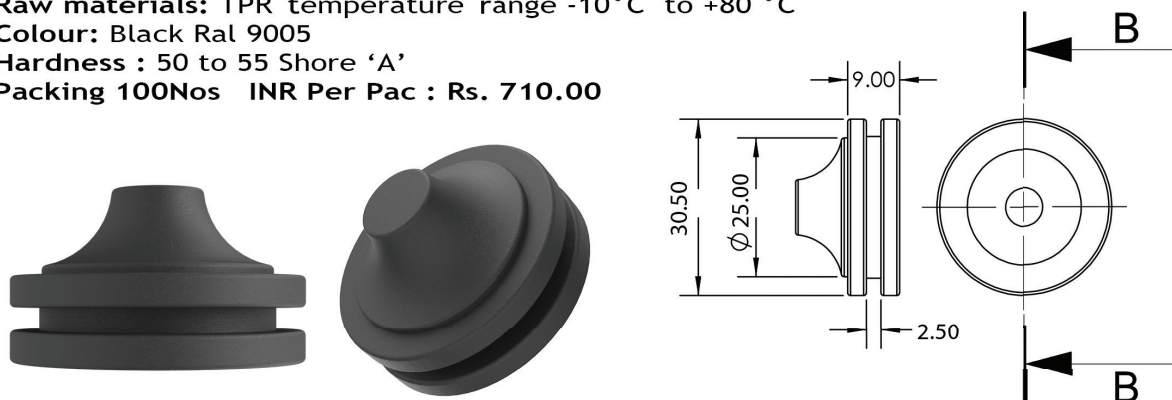
**Part description:** TPR cone grommet 25mm

**Raw materials:** TPR temperature range -10°C to +80 °C

**Colour:** Black Ral 9005

**Hardness :** 50 to 55 Shore 'A'

**Packing 100Nos INR Per Pac : Rs. 710.00**





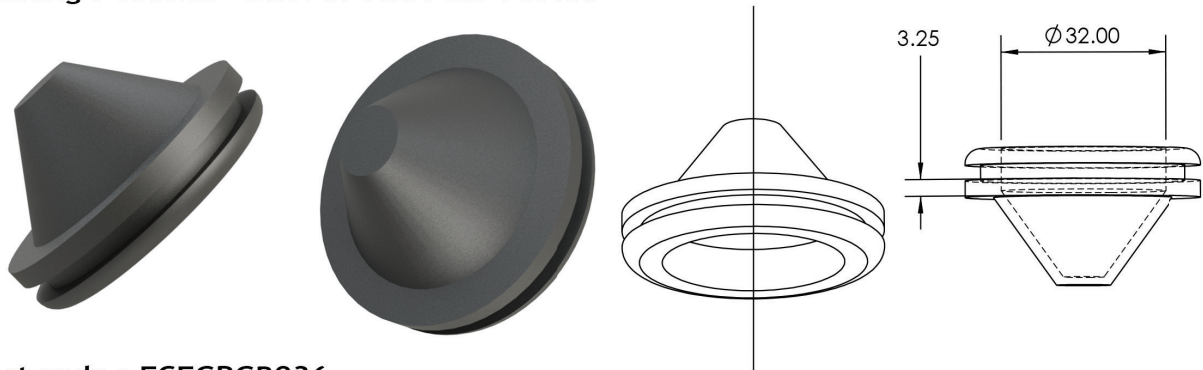
Part code : FCFGRGB037

Part description: TPR cone grommet 40mm 300A

Raw materials: TPR temperature range -10 to +80 °C Colour: Black

Hardness : 50 to 55 Shore 'A'

Packing : 100Nos INR Per Pac : Rs. 967.00



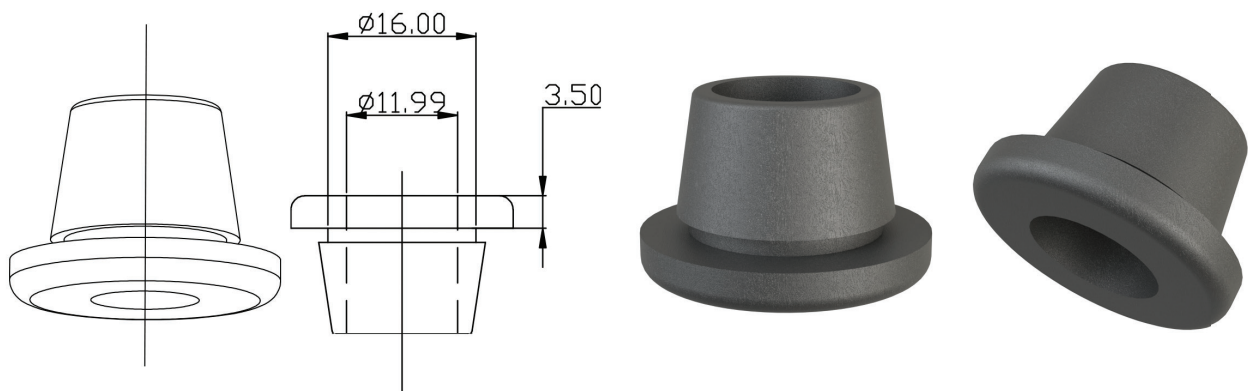
Part code : FCFGRGB036

Part description: TPR cone grommet 16mm open ID12mm

Raw materials: TPR temperature range -10 to +80 °C Colour: Black

Hardness : 50 to 55 Shore 'A'

Packing : 100Nos INR Per Pac : Rs. 845.00



Part code : FCFGRGB025

Part description: FCGBP-04 3/4" TPR open type grommet.

Raw materials: Neoprem/HRS

Hardness : 50 to 55 Shore 'A'

Packing : 100Nos INR Per Pac : Rs. 530.00

