

AC SOLENOID & SOLENOID BRAKES



BCH
ELECTRIC
LIMITED



BCH

Solenoid Brakes

BCH AC Solenoid operated brakes type 'S' are designed for long life, easy installation and minimum maintenance. They are electrically released and spring applied providing 'Fail-safe' operation. The retarding torque developed is directly proportional to the spring pressure.

The brake wheel is of relatively large size in relation to the torque developed by the brake. This permits use of a large brake shoe lining and lower shoe pressure. Low shoe pressure, equally distributed over a large lining area, results in even wear of the friction surfaces and even braking torque. The over-size wheel type construction also permits use of a smaller operating solenoid that requires less current for a given torque rating.

Low shoe pressure reduces the stress on all pins and pivot points to extend mechanical life and reduce maintenance costs. There is no unbalance of forces to cause side thrust during braking, because shoe type brake does not depend upon a wrapping action of the lining around the wheel.

Applications

Typical applications include conveyors, hoisting, equipment, machine tools, printing presses, small cranes, over head doors, vacuum moulding machines etc.

Constructional features

Special constructional features such as those listed below account for exceptionally long mechanical life of the brakes.

- (i) Neoprene shock absorber—prevents link pin breakage and increases the life of the solenoid.
- (ii) Hardened steel lever and spring gland—the hardened steel construction of the lever and spring gland reduces wear at the pins and all other points of contact.
- (iii) Cast iron wheel—The physical properties of the iron minimise the tendency of the wheel to deposit metal particles in the lining which could result in serious scoring of the wheel.
- (iv) Spring pins—The tight gripping spring pins insure against the loss of pins due to shock.
- (v) Inexpensive lining replacement—Linings attached to shoes by removable flat head groove-pins.
- (vi) Fewer joints—The shoe is actually a part of the shoe lever and not separate from it. This makes for fewer mechanical joints and keeps wear points at a minimum.
- (vii) Solenoid—The solenoid coil can be removed without disturbing the brake adjustment. Solenoid loading is designed to reduce wear.

Adjustments

Adjustments for torque and lining wear are conveniently and quickly made. Braking torque and lining wear adjustments are made at the top of the brake. A set screw and locking nut located on the top of the solenoid frame provide adjustment for equalising clearance between the brake shoes to prevent dragging when the brake is released.

Coil duty classification

Shunt brake coils are rated either for intermittent (1 hour) duty, or continuous duty. Intermittent duty indicates that the coil can be placed across the line for one hour without excessive heating. This is equivalent to 1/2 time duty or one minute on and one minute off. Coils rated for continuous duty can be connected across the line continuously without exceeding temperature limits.

The class of insulation of coils is class F.

Mounting

Type'S' brakes are designed and recommended for use and mounting only in the floor position. Side or vertical mountings are not recommended because the solenoid loading is altered resulting in accelerated and premature coil failure.

Brake selection

The method most generally used to determine the required braking torque is to calculate the full load motor torque by means of the following formula :

$$T = \frac{9552 \times kW}{n}$$

T = Full load motor torque in Newton Metre (Nm)
kW = Motor out put in kilowatts
n = Rated speed of the motor shaft on which brake wheel is mounted in revolution per minute (r.p.m.)

The torque rating of brake selected should be at least equal to the full load motor torque for the duty considered.

In some applications where the brake must stop or hold abnormal loads on the driving equipment, the braking torque must be determined using the extreme operating conditions. In these cases, the braking torque is determined by calculating the maximum load and



BCH

translating it into torque at the shaft on which the brake is mounted.

Because of the large lining area, the capacity of Type 'S' brakes is generally considered ample for average application. However when brakes are to be used for frequent stopping or for stopping heavy inertial loads requiring long periods of deceleration.

Complete details, including Wk^2 , speed of load referred to brake shaft and frequency of stops should be referred to the factory for analysis.

Brake selection chart

Brake Type	Wheel dia mm approx.*	Max. torque N.m	Moment of Inertia Wk^2 (kgm ²)	Coil duty
S-42	100	13.6	0.004	Continuous
S-51	140	34.0	0.018	Continuous
S-52	140	48.0	0.018	Intermittent
S-71	180	68.0	0.066	Continuous
S-72	180	102.0	0.066	Intermittent
S-2501	250	147.0		Continuous

- *(i) Approximate value of wheel diameter has been specified in view of rounding off the values as basically the wheel diameter is in inches. For exact dimensions, please refer to the dimensional drawing of the wheel.
- (ii) Wheel is supplied as an accessory to the brake.
- (iii) Wheels will be supplied having straight pilot bore of minimum size to be machined further upto maximum bore range by the customer.

Coil data

Class of insulation : Class F

Duty : Continuous or Intermittent

Brake Type	Coil Colour	Inrush Volt Amp	Inrush Watts	Sealed Volt Amp	Sealed MaxWatts
S-42	Red	465	310	90	20
S-51	Dark brown	2200	1300	250	70
S-52	Black	2350	1300	290	100
S-71	Dark brown	2200	1300	250	70
S-72	Black	2350	1300	290	100
S-2501	Dark brown	2800	1600	350	150

Dimensions (mm)

Type	Brake Torque		Size Rating																
	A	N.m.	B	C	D	E	F	G	H	J	K	L	M	N	O	P	Q	R	S
S-42	101.6	13.6	73.2	177.8	66.6	31.8	139.7	77.7	9.8	16.0	73.2	6.4	69.9	41.2	41.2	-	76.2	79.3	44.5
S51/S52	139.7	34.0/48.0	101.6	239.8	88.9	50.8	212.9	104.6	11.1	25.4	124.0	9.7	82.6	50.8	50.8	79.3	95.3	79.3	-
S71/S72	177.8	68.0/102.0	127.0	290.6	111.3	63.5	241.3	127.0	14.3	25.4	152.4	-	108.0	53.9	76.2	79.3	120.7	79.3	-
S2501	250	147	172	387	152.5	107	325.5	174.5	17	38.5	198	-	125	68.1	90	90	158	130	-

Catalogue code: Product code-Type-Coil voltage code

Brake : Product code : S

Type 42	-	Corresponding Torque	13.6	Nm
Type 51	-	Corresponding Torque	34	Nm
Type 52	-	Corresponding Torque	48	Nm
Type 71	-	Corresponding Torque	68	Nm
Type 72	-	Corresponding Torque	102	Nm
Type 2501	-	Corresponding Torque	147	Nm
Voltage code.	A	-	110V 50 Hz	
	B	-	220V	
	L	-	380V	
	M	-	415V	
	C	-	440V	

(Please write voltage/frequency in place of voltage code for non-standard voltage/frequency)

A solenoid brake with torque rating of 13.6 Nm operating at 380V 50 Hz will be termed as S42L.

Accessories

Wheel (Drum)

Wheel dia	Catalogue code
4" 100 mm	AC 50 D4
5.5" 140 mm	AC 50 D5
7" 180 mm	AC 50 D7
250 mm	AC 50 D25

Spares

Description	Catalogue code			
Brake type	S-42	S-51/S-52	S-71/S-72	S-2501
Brake lining	SP50L1	SP50L2	SP50L3	SP50L4
Brake coil* (Continuous duty)	SP50MC01*	SP50MC21*	SP50MC21*	SP50MC31*
Brake coil* (Intermittent duty)		SP50MC22*	SP50MC22*	
Brake Shoe Assembly with lining	SP50SA1	SP50SA2	SP50SA3	SP50SA4

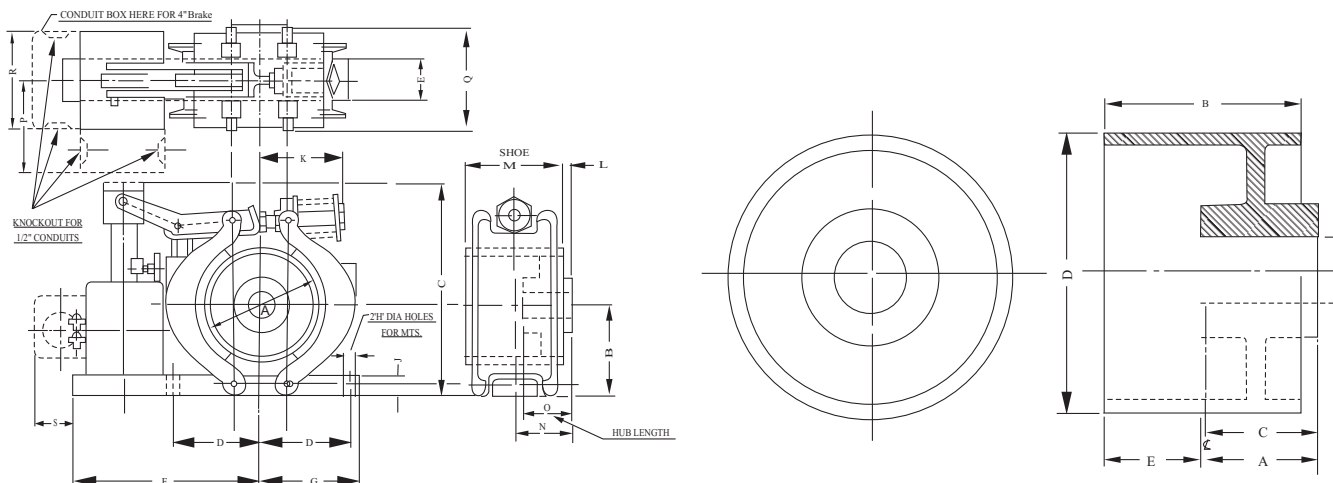
* For brake coil, suffix coil voltage code from brake code column.

Weight (kgs)

Type	Brake only	Net brake with wheel	Net wheel only
S-42	5.6	7.2	1.6
S-51/S-52	11.7	15.1	3.4
S-71/S-72	15.3	23.9	8.6
S-2501	20.0	37.4	17.4



BCH



Drum Size approx	A	B	C	D		Bore		E
						Min	Max	
100	41	70	41	101.6	+0.00 -0.10	12.7	34.92	34.92
140	51	82	51	139.7	+0.00 -0.10	19.0	50.8	41.27
180	76	108	54	177.8	+0.00 -0.18	19.0	57.15	31.75
250	90.5	125	-	250	+0.00 -0.25	25.0	65	34.5

AC Solenoids

The remarkable efficiency of Bhartia Industries Limited's AC Solenoids (Pull Type) encourages application to a wide range of purposes requiring a definite pull motion under automatic or distant control in connection with electrically driven machinery.

Typical functions include the operation of electromechanical brakes and valves, various short-stroke motions on machine tools and many operations required in automatic machinery of all kinds.



Specifications

The solenoid consists of laminated frame and plunger with steel supporting frame. The epoxy moulded coil is held in place by means of flat steel springs to prevent transmission of shock to the coil. The plunger and frame are carefully machined to ensure quiet operations. Solenoids can be used for up to 600 operations per hour if the pull-in time is within specified limits. These solenoids are provided with fixing holes for floor mounting.

Electrical and mechanical ratings

Solenoid type Duty		Size B	Size D	Size E
		Continuous or intermittent	Continuous or intermittent	Continuous
Maximum stroke length (mm)		25	31.4	40.0
Pull at rated voltage (Gross)* kg		1.25	6.75	10.0
Pull at 85% of rated voltage (Gross)*	kg	0.9	4.5	7.0
Weight of plunger	kg	0.2	0.3	1.2
Operating time	m sec	70	70	70
Coil consumption (sealed)	VA	90	220	359.8
Coil consumption (in rush)	VA	465	1790	3693.5
Weight	kg	1.2	2.9	6.5

Standard coil voltage offered : 110, 220, 380, 415, 440V 50Hz

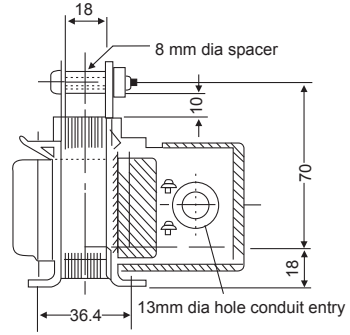
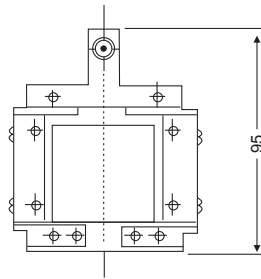
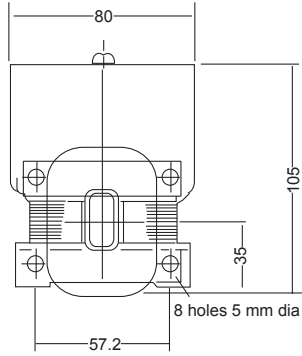
* When the solenoid is working against gravity, the weight of the plunger must be subtracted in order to ascertain the effective pull. When working with gravity, the weight of the plunger must be added.

Catalogue code - AC Solenoids

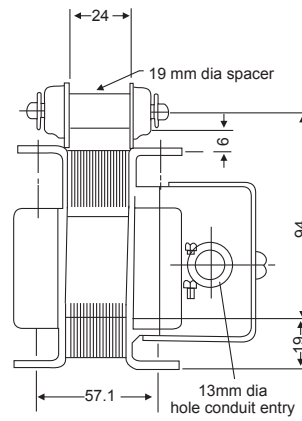
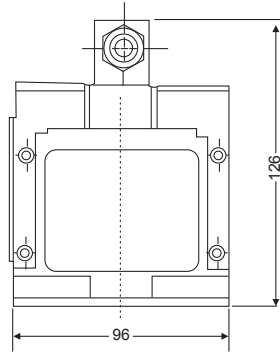
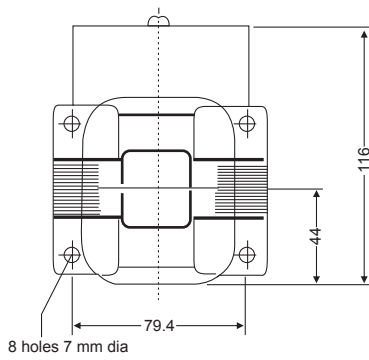
Product code	SL	SPSL
Solenoid size	B or D	E
	380V-L,415V-M	415-M

eg. SLBL represents Solenoid size B with 380V coil

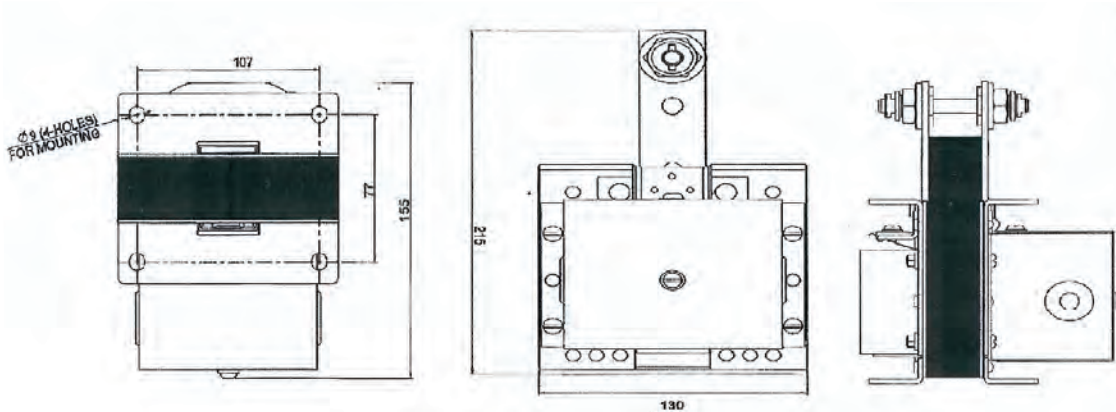
Dimensions (mm)



Solenoid Size B



Solenoid Size D



Solenoid Size E

- Power Control Products
- Starters & Submersible Pump Starters
- Industrial Enclosures
- Industrial Products
- Wires & Cables
- Motor Control Products
- Customised Solution
- Automation



BCH ELECTRIC LIMITED

Visit us at : www.bchindia.com

Corporate Office : 1105, New Delhi House, 27, Barakhamba Road, New Delhi - 110 001 Tel. : 91-11-23316029/3610/6539/43673100 Fax : 91-11-23715247

CIN : U31103WB1965PLC026427, Customercare No. 1800-103-9262, E-mail : marketing@bchindia.com

Registered Office : Block 1E, 216, Acharya Jagadish Chandra Bose Road, Kolkata - 700 017

Works 1 : 20/4, Mathura Road, Faridabad - 121 006 (Haryana) Tel. : 0129-4063000/4293000 Fax : 0129-2304016

Works 2 : 64-68, Sector-7, IIE, Pant Nagar, Rudrapur, Udham Singh Nagar - 263 153 (Uttarakhand) Tel. : 05944-250214/16 Fax : 05944-250215

Sales Offices :

Ahmedabad
103, Aaron,
Nr. SBI Laghuudyug branch,
Behind Sakar-1
Gandhigram Railway station,
Ellis bridge, Ahmedabad - 380006
Tel. : 079-26589719
E-mail : ahmedabad@bchindia.com

Bangalore
2nd Floor, 130/5,
K.H. Road (Double road),
Bangalore - 560 027
Tel. : 080-22273478/41144878/
41144879
Fax : 080-22236759
E-mail : bangalore@bchindia.com

Bhubaneswar
Mallick Commercial
Complex Plot No.: A/69, unit - 3
Bhubaneswar - 751 001
Tel. : 0674-2380988
E-mail : bhubaneswar@bchindia.com

Chandigarh (Panchkula)
Sco -129, IInd Floor,
Mdc, Sector-5 Panchkula,
Haryana-134 109
Tel. : 0172-5078957 / 5049905
Fax : 0172-5049905
E-mail : chandigarh@bchindia.com

Chennai
Flat No. 3A, 3rd Floor,
Sree Apartments,
No.508, TTK Road,
Alwarpet, Chennai 600 018
Tel. : 044-24337046, 24337047
Fax : 044-24337047
E-mail : chennai@bchindia.com

Coimbatore
87, Dr. Nanjappa Road,
Coimbatore - 641 018
Tel. : 0422-2305311
Fax : 0422-2302599
E-mail : coimbatore@bchindia.com

Dehradun
8, Co-operative Industrial Estate,
Patel Nagar, Dehradun-248001
E-mail : dehradun@bchindia.com

Faridabad
20/4, Mathura Road,
Faridabad - 121 006 (Haryana)
Telfax : 0129-4293009
E-mail : faridabad@bchindia.com

Hyderabad
1-8-303/48/13/102, Arya One,
2nd Floor, P. G. Road,
Secunderabad - 500 003
Tel. : 040-66206263/27890306
Fax : 040-66207273
E-mail : hyderabad@bchindia.com

Indore
330-331, Indraprastha Tower,
3rd Floor, 6, M.G. Road,
Indore - 452 001
Tel. : 0731-2510011
Fax : 0731-2510012
E-mail : indore@bchindia.com

Jaipur
25, Hathroi, Gopalbari,
Jaipur - 302 001
Tel. : 0141-2363521
Fax : 0141-2363521
E-mail : jaipur@bchindia.com

Jamshedpur
3rd Floor, Aastha Trade Centre,
'C' Road, Bistupur,
Jamshedpur - 831 001
Tel. : 0657-2321097/2321481
E-mail : jamshedpur@bchindia.com

Kolkata
Block 1E, 216,
Acharya Jagadish Chandra Bose Road,
Kolkata - 700 017
Tel. : 033-22871728
E-mail : kolkata@bchindia.com

Lucknow
Madan Plaza, 3rd Floor,
14, Station Road,
Lucknow - 226 001
Tel. : 0522-4025597/4025997
Fax : 0522-4025697
E-mail : lucknow@bchindia.com

Ludhiana
S.C.O. - 18, 2nd Floor,
Feroze Gandhi Market,
Ludhiana - 140 001
Tel. : 0161-5021807/5022808
Fax : 0161-5021807
E-mail : ludhiana@bchindia.com

Mumbai
A-151, Mittal Tower,
Nanman Point,
Mumbai - 400 021
Tel. : 022-22822947/22850162
Fax : 022-22822858
E-mail : mumbai@bchindia.com

Nagpur
Flat No. T/12, 3rd Floor
Baldeo Apartment,
Behind Railway Station, Bajeria
Nagpur (M.S.) - 440018
E-mail : nagpur@bchindia.com

New Delhi
801, Akash Deep Building,
26A, Barakhamba Road,
New Delhi - 110 001
Tel. : 011-23313878/66307065
Fax : 011-23739230
E-mail : delhi@bchindia.com

Pune
8, Sarosh Bhavan,
16-B/1, Dr. Ambedkar Road,
Pune - 411 001
Tel. : 020-26052590
Telefax : 020-26135224
E-mail : pune@bchindia.com

Raipur
2nd Floor, Building No. B-234,
Indira Gandhi Vyavasayik Parisar,
Pandri, Raipur - 492 004
Tel. : 0771-4020213
Fax : 0771-2582680
E-mail : raipur@bchindia.com

Trichy
2B, Kannagi Street,
Ayyappa Nagar, K.K.Nagar
Trichy - 620 021, Tamilnadu
Tel. : 0431-4040497
E-mail : trichy@bchindia.com

Vadodara
301, Third Floor, "Florence Classic",
10, Ashapuri Co-Op. Hsg. Soc. Ltd., Opp. VUDA Housing,
Near Cow Circle, Akota, Vadodara - 390 020
Tel. : 0265-2345068/2345069
Telefax : 0265-2345068,
E-mail : vadodara@bchindia.com

Other Branch Locations

Bhubaneswar : bhubaneswar@bchindia.com, **Cochin :** cochin@bchindia.com, **Gurgaon :** gurgaon@bchindia.com, **Guwahati :** guwahati@bchindia.com, **Hospet :** hospet@bchindia.com,
Hubli : hubli@bchindia.com, **Madurai :** madurai@bchindia.com, **Vishakhapatnam :** vizag@bchindia.com, **Surat :** surat@bchindia.com

Resident Engineer Locations

Baddi	Gurgaon	Madurai	Rajahmundry
Bardhaman	Haridwar	Muzaffarnagar	Salem
Bhilai	Hubli	Nagpur	Surat
Bhubaneswar	Hospet	Nashik	Udaipur
Cochin	Jodhpur	Patna	Vapi
Dehradun	Kakinada	Puducherry	Vishakhapatnam
Durgapur	Kota	Rajkot	Warangal

Since product improvement is a continuous process, the data furnished in this brochure may undergo revision without prior notice.

Reliable since 1965...



Polycarbonate Plug & Socket

BPX Series



BHARTIA

BCH

**BCH
ELECTRIC
LIMITED**



BCH Electric Limited an ISO 9001:2015 & ISO 14001:2015, ISO 45001: 2018 company, is today one of the leading manufacturer of wide range of Industrial, IT Enclosures. It is wholly owned Indian company with a wide network of global business connections.

The company's strong focus on customer satisfaction is reflected in its wide product range, catering to the requirement of customers in the electric field. This includes Automation, Switchgears, Enclosures, Break and Crane control Products.

A strong Design & development team, state-of-the art manufacturing capabilities and strong emphasis on quality has helped the company achieve benchmarks for its products & services.

BCH Electric, as always, remains committed to customer satisfaction and loyalty and will continue to broaden its portfolio with more service and product to further strengthen its partnership with customers.

Our products have proven track of performance for critical applications in almost every customer segment - Steel, Power, Cement, Solar, Telecom, Railways, Mining, Oil & gas, Chemical, Sugar, water utilities, Automobiles, Agriculture, Crane & machinery OEMs etc.

Modern facilities at Faridabad & Rudrapur



Faridabad:
20/4, Mathura Road, Faridabad - 121 006 (Haryana)



Rdurapur:
64-68, Sector-7, IIE, Pant Nagar, Rudrapur,
Udham Singh Nagar - 263 153 (Uttarakhand)

BPX Range of Plug, Socket and Connector - Testing and Quality

Our product has passed various performance tests, including temperature-rise, mechanical life, material flame-retardant, surge voltage, vibration, high and low-temperature, Ingress protection, mechanical impact. All these aspects of our products far exceed the standard

All Our BPX Series Plugs, Sockets & Connectors are :

• Completely Reliable	Compliant to EN/IEC 60309-1 & 2 (International Standard)
• Resistant to Ageing	Tested at 80°C for 7 Days
• Meant to Work in tough environment conditions	Tested for IP44 & IP67
• Completely resistant to abnormal heat & fire	
- Glow Wire Test as per IEC 60695-2	650°C (Body Shell) ; 850°C (Inner Core)
- Dimensionally stable Test	100° C for 1 Hour
• Totally safe to the users	
- High insulation Resistance	≥ 5m Ohms at 500VDC (1 min)
- Di-electric Strength	2000V~



Key Features - BPX Range of Plug, Socket and Connector



Our complete BPX Series are tested for IP44 & IP67



- Double screw type - terminal
- Large terminal size (1.5 Sq. mm to 35 Sq. mm).



- Soft contact material to reduce spark while insert or pullout.
- High electrical & mechanical life.
- 125A contact use torsion spring contact to reduce friction force when insert and pullout the device.



- Excellent contact terminal for easy installation.



- Cable entry hole from side or bottom.

- Special cable gland
- Flexibility of using varied cable sizes



- 16A up to 15.5mm, 32A up to 20mm, 63A up to 36.5mm and for 125A up to 50mm

Wide Application Areas :



SHOPPING MALL



MEDICAL EQUIPMENTS



METRO



AIRPORT



LAUNDRY MACHINE



RAILWAY





COMMERCIAL BUILDING

BPX Range of Plugs/Socket/Connector- 16A to 125A:


Conform to International standards EN/IEC 60309-1 & 2


Panel Mounted Straight Socket - IP44				
	Amp	Poles	230V~ 50-60Hz	415V~ 50-60Hz
	16	3		BPX1PSS341
4			-	BPX1PSS442
5			-	BPX1PSS542
32	3		BPX2PSS341	-
	4		-	BPX2PSS442
	5		-	BPX2PSS542
63	3		BPX3PSS341	-
	4		-	BPX3PSS442
	5		-	BPX3PSS542
-				


Panel Mounted Straight Socket - IP67				
	Amp	Poles	230V~ 50-60Hz	415V~ 50-60Hz
	16	3		BPX1PSS371
4			-	BPX1PSS472
5			-	BPX1PSS572
32	3		BPX2PSS371	-
	4		-	BPX2PSS472
	5		-	BPX2PSS572
63	3		BPX3PSS371	-
	4		-	BPX3PSS472
	5		-	BPX3PSS572
125A	3		BPX4PSS371	-
	4		-	BPX4PSS472
	5		-	BPX4PSS572


Panel Mounted Angled Socket - IP44				
	Amp	Poles	230V~ 50-60Hz	415V~ 50-60Hz
	16	3		BPX1PAS341
4			-	BPX1PAS442
5			-	BPX1PAS542
32	3		BPX2PAS341	-
	4		-	BPX2PAS442
	5		-	BPX2PAS542
63	3		BPX3PAS341	-
	4		-	BPX3PAS442
	5		-	BPX3PAS542
-				

Panel Mounted Angled Socket - IP67				
	Amp	Poles	230V~ 50-60Hz	415V~ 50-60Hz
	16	3		BPX1PAS371
4			-	BPX1PAS472
5			-	BPX1PAS572
32	3		BPX2PAS371	-
	4		-	BPX2PAS472
	5		-	BPX2PAS572
63	3		BPX3PAS371	-
	4		-	BPX3PAS472
	5		-	BPX3PAS572
125A	3		BPX4PAS371	-
	4		-	BPX4PAS472
	5		-	BPX4PAS572

Surface Mounted Socket - IP44				
	Amp	Poles	230V~ 50-60Hz	415V~ 50-60Hz
	16	3		BPX1WS341
4			-	BPX1WS442
5			-	BPX1WS542
32	3		BPX2WS341	-
	4		-	BPX2WS442
	5		-	BPX2WS542
63	3		BPX3WS341	-
	4		-	BPX3WS442
	5		-	BPX3WS542
-				


Surface Mounted Socket - IP67				
	Amp	Poles	230V~ 50-60Hz	415V~ 50-60Hz
	16	3		BPX1WS371
4			-	BPX1WS472
5			-	BPX1WS572
32	3		BPX2WS371	-
	4		-	BPX2WS472
	5		-	BPX2WS572
63	3		BPX3WS371	-
	4		-	BPX3WS472
	5		-	BPX3WS572
125A	3		BPX4WS371	-
	4		-	BPX4WS472
	5		-	BPX4WS572


Standard Connector - IP44				
	Amp	Poles	230V~ 50-60Hz	415V~ 50-60Hz
	16	3		BPX1SC341
4			-	BPX1SC442
5			-	BPX1SC542
32	3		BPX2SC341	-
	4		-	BPX2SC442
	5		-	BPX2SC542
63	3		BPX3SC341	-
	4		-	BPX3SC442
	5		-	BPX3SC542
-				

Standard Connector- IP67				
	Amp	Poles	230V~ 50-60Hz	415V~ 50-60Hz
	16	3		BPX1SC371
4			-	BPX1SC472
5			-	BPX1SC572
32	3		BPX2SC371	-
	4		-	BPX2SC472
	5		-	BPX2SC572
63	3		BPX3SC371	-
	4		-	BPX3SC472
	5		-	BPX3SC572
125A	3		BPX4SC371	-
	4		-	BPX4SC472
	5		-	BPX4SC572

BPX Range of Plugs/Socket/Connector- 16A to 125A:


Conform to International standards EN/IEC 60309-1 & 2


Standard Plug - IP44				
	Amp	Poles	230V~ 50-60Hz	415V~ 50-60Hz
	16	3		BPX1SP341
4			-	BPX1SP442
5			-	BPX1SP542
32	3		BPX2SP341	-
	4		-	BPX2SP442
	5		-	BPX2SP542
63	3		BPX3SP341	-
	4		-	BPX3SP442
	5		-	BPX3SP542
-				


Standard Plug - IP67				
	Amp	Poles	230V~ 50-60Hz	415V~ 50-60Hz
	16	3		BPX1SP371
4			-	BPX1SP472
5			-	BPX1SP572
32	3		BPX2SP371	-
	4		-	BPX2SP472
	5		-	BPX2SP572
63	3		BPX3SP371	-
	4		-	BPX3SP472
	5		-	BPX3SP572
125A	3		BPX4SP371	-
	4		-	BPX4SP472
	5		-	BPX4SP572


Phase Inverter Plug - IP44			
	Amp	Poles	415V~ 50-60Hz
	16	5	
32	5		BPX2PIP542

Phase Inverter Plug - IP67			
	Amp	Poles	415V~ 50-60Hz
	16	5	
32	5		BPX2PIP572

Panel Mounted Plug - IP44				
	Amp	Poles	230V~ 50-60Hz	415V~ 50-60Hz
	16	3		BPX1PP341
4			-	BPX1PP442
5			-	BPX1PP542
32	3		BPX2PP341	-
	4		-	BPX2PP442
	5		-	BPX2PP542
63	3		BPX3PP341	-
	4		-	BPX3PP442
	5		-	BPX3PP542
-				





Panel Mounted Plug - IP67				
	Amp	Poles	230V~ 50-60Hz	415V~ 50-60Hz
	16	3		BPX1PP371
4			-	BPX1PP472
5			-	BPX1PP572
32	3		BPX2PP371	-
	4		-	BPX2PP472
	5		-	BPX2PP572
63	3		BPX3PP371	-
	4		-	BPX3PP472
	5		-	BPX3PP572
125A	3		BPX4PP371	-
	4		-	BPX4PP472
	5		-	BPX4PP572



Surface Mounted Plug - IP44				
	Amp	Poles	230V~ 50-60Hz	415V~ 50-60Hz
	16	3		BPX1WP341
4			-	BPX1WP442
5			-	BPX1WP542
32	3		BPX2WP341	-
	4		-	BPX2WP442
	5		-	BPX2WP542
63	3		BPX3WP341	-
	4		-	BPX3WP442
	5		-	BPX3WP542
-				

Surface Mounted Plug - IP67				
	Amp	Poles	230V~ 50-60Hz	415V~ 50-60Hz
	16	3		BPX1WP371
4			-	BPX1WP472
5			-	BPX1WP572
32	3		BPX2WP371	-
	4		-	BPX2WP472
	5		-	BPX2WP572
63	3		BPX3WP371	-
	4		-	BPX3WP472
	5		-	BPX3WP572
-				

BX Range of Socket Outlet with Switch and Mechanical Interlock

Conform to International standards EN/IEC 60309-1 & 2

Socket Outlet with Switch and Mechanical Interlock					
Horizontal Type - IP44					
	Amp	Poles	230V~ 50-60Hz	415V~ 50-60Hz	
	16	3	BPX1MIH341	-	
		4	-	BPX1MIH442	
		5	-	BPX1MIH542	
Horizontal Type - IP67					
	Amp	Poles	230V~ 50-60Hz	415V~ 50-60Hz	
	16	3	BPX1MIH371	-	
		4	-	BPX1MIH472	
		5	-	BPX1MIH572	
Vertical Type - IP44					
	Amp	Poles	230V~ 50-60Hz	415V~ 50-60Hz	
	16	3	BPX1MIV341	-	
		4	-	BPX1MIV442	
		5	-	BPX1MIV542	
	32	3	BPX2MIV341	-	
		4	-	BPX2MIV442	
		5	-	BPX2MIV542	
	63	3	BPX3MIV341	-	
		4	-	BPX3MIV442	
		5	-	BPX3MIV542	
	-				
	Vertical Type - IP67				
 16A - 63A 125A	Amp	Poles	230V~ 50-60Hz	415V~ 50-60Hz	
	16	3	BPX1MIV371	-	
		4	-	BPX1MIV472	
		5	-	BPX1MIV572	
	32	3	BPX2MIV371	-	
		4	-	BPX2MIV472	
		5	-	BPX2MIV572	
	63	3	BPX3MIV371	-	
		4	-	BPX3MIV472	
		5	-	BPX3MIV572	
	125	3	BPX4MIV371	-	
		4	-	BPX4MIV472	
		5	-	BPX4MIV572	

Socket Outlet with Duo Interlock and DIN Rail					
Vertical Type - IP44					
	Amp	Poles	230V~ 50-60Hz	415V~ 50-60Hz	
	16	3	BPX1MID341	-	
		4	-	BPX1MID442	
		5	-	BPX1MID542	
	32	3	BPX2MID341	-	
		4	-	BPX2MID442	
		5	-	BPX2MID542	
	63	3	BPX3MID341	-	
		4	-	BPX3MID442	
		5	-	BPX3MID542	
	-				
	Vertical Type - IP67				
 16A - 63A 125A	Amp	Poles	230V~ 50-60Hz	415V~ 50-60Hz	
	16	3	BPX1MID371	-	
		4	-	BPX1MID472	
		5	-	BPX1MID572	
	32	3	BPX2MID371	-	
		4	-	BPX2MID472	
		5	-	BPX2MID572	
	63	3	BPX3MID371	-	
		4	-	BPX3MID472	
		5	-	BPX3MID572	
	125	3	BPX4MID371	-	
		4	-	BPX4MID472	
		5	-	BPX4MID572	

Product Dimension Details

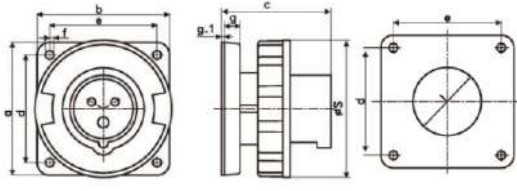
Amp	16A			32A			63A			125A			
	Pole	3P	4P	5P	3P	4P	5P	3P	4P	5P	3P	4P	5P
Standard Plug IP44	a	137	142	144	173	173	177	238.9	238.9	238.9			
	b	110	119	121	144	144	148	179.4	179.4	179.4			
	c	43.5	49.5	56	57	57	63.3	69.1	69.1	69.1			
	d	38.5	43.8	50	51	51	56.5	63	63	63			
	e	17.5	21.5	28.5	25	25	30.5	36.5	36.5	36.5			
	f	47	52	60	62	62	68.7	75.3	75.3	75.3			
	g	58	66.7	75	80.7	80.7	89	100.1	100.1	100.1			
	Terminal Capacity	1.5 – 2.5 sq. mm			4 – 6 sq. mm			10 – 16 sq. mm					
Standard Plug IP67	a	140	142	144	173	173	177	238.9	238.9	238.9	286	286	286
	b	116	119	121	144	144	148	179.5	179.5	179.5	219	219	219
	c	24.7	26	27	32.5	32.5	32.6	51.1	51.1	51.1	57	57	57
	d	70.2	78	87	93.3	93.3	101	112.9	112.9	112.9	131	131	131
	e	38.5	43.8	50	51	51	56.5	63	63	63	75.1	75.1	75.1
	f	17.5	21.5	26.5	25	25	30.3	36.5	36.5	36.5	42.5	42.5	42.5
	g	47	52	60	62	62	68.7	75.3	75.3	75.3	87.2	87.2	87.2
	Terminal Capacity	1.5 – 2.5 sq. mm			4 – 6 sq. mm			10 – 16 sq. mm			23 – 35 sq. mm		
Standard Connector IP44	a	155	156.5	161.7	200	200	205	257	257	257			
	b	80.6	82.3	88	106.5	106.5	108.7	112.5	112.5	112.5			
	c	51.3	51.8	52.1	64.2	64.2	65	95	95	95			
	d	49.5	55.7	63	64.2	64.2	70.8	77.4	77.4	77.4			
	e	86	90	97	101.8	101.8	111	108	108	108			
	f	34.7	37	37	37	37	37	34	34	34			
	g	57	61.2	69	71.6	71.6	79.5	92	92	92			
	Terminal Capacity	1.5 – 2.5 sq. mm			4 – 6 sq. mm			10 – 16 sq. mm					
Standard Connector IP67	a	160	164	167	203	203	205.5	260	260	260	315	315	315
	b	54.7	55.5	56.3	67.5	67.5	68	104	104	104	116	116	116
	c	90	101	103	100	100	137.7	95	95	95	130	130	130
	d	49.5	55.7	63	64.2	64.2	70.8	77.4	77.4	77.4	89.5	89.5	89.5
	e	71.7	80.6	89	95.5	95.5	101.9	109	109	109	121	121	121
	f	79.7	85.7	93	98.3	98.3	104.9	112.5	112.5	112.5	125	125	125
	g	34.7	37	37	37	37	37	34	34	34	34.5	34.5	34.5
	Terminal Capacity	1.5 – 2.5 sq. mm			4 – 6 sq. mm			10 – 16 sq. mm			23 – 35 sq. mm		
Phase Inverter Plug IP44	a	137	142	144	173	173	177	238.9	238.9	238.9			
	b	110	119	121	144	144	148	179.4	179.4	179.4			
	c	43.5	49.5	56	57	57	63.3	69.1	69.1	69.1			
	d	38.5	43.8	50	51	51	56.5	63	63	63			
	e	17.5	21.5	28.5	25	25	30.5	36.5	36.5	36.5			
	f	47	52	60	62	62	68.7	75.3	75.3	75.3			
	g	58	66.7	75	80.7	80.7	89	100.1	100.1	100.1			
	Terminal Capacity	1.5 – 2.5 sq. mm			4 – 6 sq. mm			10 – 16 sq. mm					
Phase Inverter Plug IP67	a	140	142	144	173	173	177	238.9	238.9	238.9	286	286	286
	b	116	119	121	144	144	148	179.5	179.5	179.5	219	219	219
	c	24.7	26	27	32.5	32.5	32.6	51.1	51.1	51.1	57	57	57
	d	70.2	78	87	93.3	93.3	101	112.9	112.9	112.9	131	131	131
	e	38.5	43.8	50	51	51	56.5	63	63	63	75.1	75.1	75.1
	f	17.5	21.5	26.5	25	25	30.3	36.5	36.5	36.5	42.5	42.5	42.5
	g	47	52	60	62	62	68.7	75.3	75.3	75.3	87.2	87.2	87.2
	Terminal Capacity	1.5 – 2.5 sq. mm			4 – 6 sq. mm			10 – 16 sq. mm			23 – 35 sq. mm		
Panel Mounted Plug IP44	a	85.7	85.7	85.7	85.7	85.7	85.7	110	110	110			
	b	85.7	85.7	85.7	85.7	85.7	85.7	106	106	106			
	c	72	72	72	90	90	90	85	85	85			
	d	69.5	69.5	69.5	69.5	69.5	69.5	90	90	90			
	e	69.5	69.5	69.5	69.5	69.5	69.5	90	90	90			
	f	5.5	5.5	5.5	5.5	5.5	5.5	5.5	5.5	5.5			
	g	10	10	10	10	10	10	11	11	11			
	g.1	2	2	2	2	2	2	2	2	2			
	l	32	36	42	47	47	50	80	80	80			
	Terminal Capacity	1.5 – 2.5 sq. mm			4 – 6 sq. mm			10 – 16 sq. mm					

All dimensions are in mm

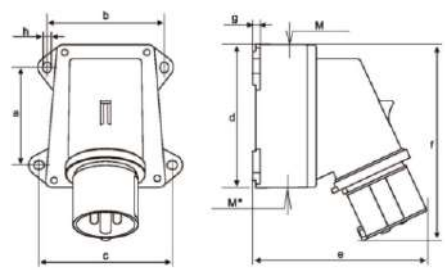
Product Dimension Details

Amp Pole	16A			32A			63A			125A		
	3P	4P	5P	3P	4P	5P	3P	4P	5P	3P	4P	5P
a	87.5	87.5	87.5	87.5	87.5	87.5	110	110	110	130	130	130
b	87.5	87.5	87.5	87.5	87.5	87.5	106	106	106	130	130	130
c	72	72	72	90	90	90	86	86	86	112	112	112
d	69.5	69.5	69.5	69.5	69.5	69.5	90	90	90	104	104	104
e	69.5	69.5	69.5	69.5	69.5	69.5	90	90	90	104	104	104
f	5.5	5.5	5.5	5.5	5.5	5.5	5.5	5.5	5.5	6.5	6.5	6.5
g	10	10	10	10	10	10	11	11	11	25	25	25
g.1	2	2	2	2	2	2	2	2	2	2	2	2
l	32	36	42	47	47	50	80	80	80	95	95	95
s	71	79	89	94	94	102	113	113	113	131	131	131
Terminal Capacity	1.5 – 2.5 sq. mm			4 – 6 sq. mm			10 – 16 sq. mm			23 – 35 sq. mm		
a	64.2	64.2	64.2	90.2	90.2	90.2	133.3	133.3	133.3			
b	77.5	77.5	77.5	79	79	79	107.8	107.8	107.8			
c	88	88	88	98.5	98.5	98.5	136	136	136			
d	94.6	94.6	94.6	120.7	120.7	120.7	171.3	171.3	171.3			
e	114.9	122.6	129.9	145	145	151.8	180.1	180.1	180.1			
f	129.4	129.9	128.3	162.8	162.8	161.8	219.4	219.4	219.4			
g	5.5	5.5	5.5	5.5	5.5	5.5	6	6	6			
h	5	5	5	5	5	5	5	5	5			
M	25	25	25	32	32	32	40	40	40			
M*	1 x M25 Cable Entry			1 x M32 Cable Entry			1 x M40 Cable Entry					
Terminal Capacity	1.5 – 2.5 sq. mm			4 – 6 sq. mm			10 – 16 sq. mm					
a	64.2	64.2	64.2	90.2	90.2	90.2	133.3	133.3	133.3			
b	77.5	77.5	77.5	79	79	79	107.8	107.8	107.8			
c	88	88	88	98.5	98.5	98.5	136	136	136			
d	94.6	94.6	94.6	120.7	120.7	120.7	171.3	171.3	171.3			
e	116.5	105	134.4	148.4	148.4	155.4	180.1	180.1	180.1			
f	129.4	129.9	128.3	162.8	162.8	161.8	219.4	219.4	219.4			
g	5.5	5.5	5.5	5.5	5.5	5.5	6	6	6			
h	5	5	5	5	5	5	5	5	5			
M	25	25	25	32	32	32	40	40	40			
M*	1 x M25 Cable Entry			1 x M32 Cable Entry			1 x M40 Cable Entry					
Terminal Capacity	1.5 – 2.5 sq. mm			4 – 6 sq. mm			10 – 16 sq. mm					
a	87	100	100	128	128	128	171	171	171			
b	62	67	67	71	71	71	95	95	95			
c	110	125	131	147	147	152	165	165	165			
d	40	-	-	11	11	11	133	133	133			
d1	-	11	11	-	-	-	I-136	I-136	I-136			
e	50	59	59	68	68	68	108	108	108			
f	4.5	5	5	5.3	5.3	5.3	6	6	6			
g	4	4	4	4	4	4	5	5	5			
h	115	118	128	158	158	160	216	216	216			
M	20	20	20	32	32	32	40	40	40			
M*	1 x M25 Cable Entry			1 x M32 Cable Entry			1 x M40 Cable Entry					
Terminal Capacity	1.5 – 2.5 sq. mm			4 – 6 sq. mm			10 – 16 sq. mm					
a	95	95	95	120	120	120	171.3	171.3	171.3	260	260	260
b	89.5	89.5	89.5	100	100	100	136	136	136	160	160	160
c	117.5	125.5	133	145	145	152	169	169	169	199	199	199
d	65	65	65	91	91	91	134.5	134.5	134.5	240	240	240
e	77.5	77.5	77.5	79	79	79	108	108	108	140	140	140
e1	101	101	101	112	112	112	157	157	157	140	140	140
f	5.5	5.5	5.5	5.5	5.5	5.5	6	6	6	8.1	8.1	8.1
g	5.2	5.2	5.2	5.5	5.5	5.5	5.5	5.5	5.5	8	8	8
h	132.5	134	135.5	162	162	164	218	218	218	305	305	305
M	25	25	25	32	32	32	40	40	40	50	50	50
M*	1 x M25 Cable Entry			1 x M32 Cable Entry			1 x M40 Cable Entry			2 x M40 Cable Entry		
Terminal Capacity	1.5 – 2.5 sq. mm			4 – 6 sq. mm			10 – 16 sq. mm			25 – 35 sq. mm		

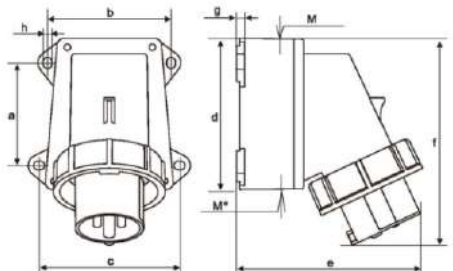
Panel Mounted Plug IP67



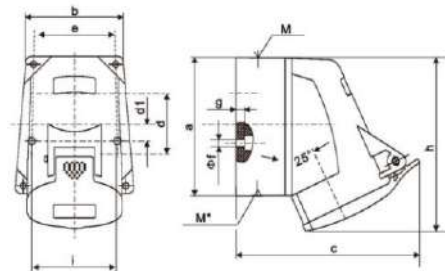
Surface Mounted Plug IP44



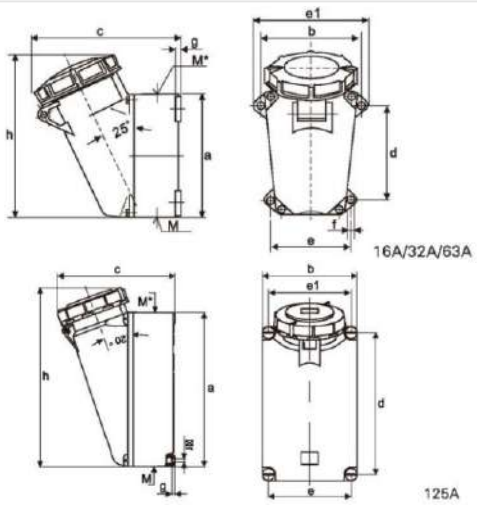
Surface Mounted Plug IP67



Surface Mounted Socket IP44



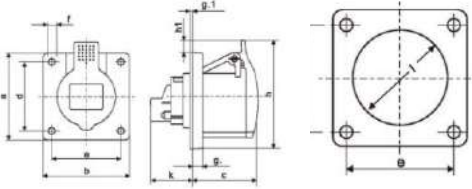
Surface Mounted Socket IP67



All dimensions are in mm

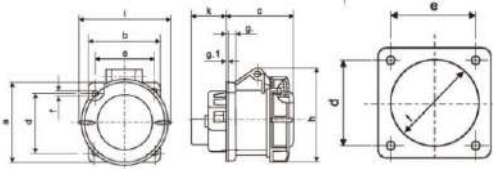
Product Dimension Details

Panel Mounted Straight Socket IP44



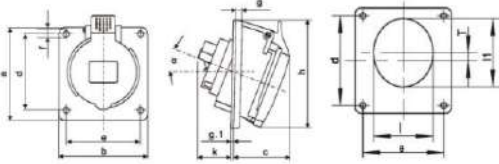
Amp Pole	16A			32A			63A			125A		
	3P	4P	5P	3P	4P	5P	3P	4P	5P	3P	4P	5P
a	75	75	75	75	75	75	107	107	107			
b	75	75	75	75	75	75	100	100	100			
c	51	51.5	52	61	61	62	80	80	80			
d	60	60	60	60	60	60	85	85	85			
e	60	60	60	60	60	60	77	77	77			
f	5.5	5.5	5.5	5.5	5.5	5.5	6.5	6.5	6.5			
g	8	8	8	8	8	8	12	12	12			
g.1	2	2	2	2	2	2	2	2	2			
h	84.6	90	94	96	96	102	113	113	113			
h1	9.6	15	19.2	20	20	21.4	5.5	5.5	5.5			
k	33	33	34	41	41	41.5	55	55	55			
l	44	52	54.5	58	58	62	98	98	98			
Terminal Capacity	1.5 – 2.5 sq. mm			4 – 6 sq. mm			10 – 16 sq. mm					

Panel Mounted Straight Socket IP67



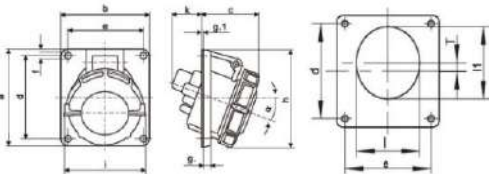
a	75	75	75	85	85	85	107	107	107	130	130	130
b	75	75	75	75	75	75	100	100	100	130	130	130
c	55	55	59	68	68	69	84	84	84	116	116	116
d	60	60	60	60	60	60	85	85	85	104	104	104
e	60	60	60	60	60	60	77	77	77	104	104	104
f	5.5	5.5	5.5	5.5	5.5	5.5	6.5	6.5	6.5	6.5	6.5	6.5
g	10	10	10	10	10	10	14	14	14	19.5	19.5	19.5
g.1	2	2	2	2	2	2	2	2	2	2	2	2
h	83	83	85	99	99	105	113	113	113	128	128	128
i	78	85	93	103	103	110	118	118	118	135	135	135
k	30	31	32	40	40	41	55	55	55	43	43	43
l	44	54	55	60	60	62	88	88	88	105	105	105
Terminal Capacity	1.5 – 2.5 sq. mm			4 – 6 sq. mm			10 – 16 sq. mm			25 – 35 sq. mm		

Panel Mounted Angled Socket IP44



a	73.5	100	100	100	100	100	110	110	110			
b	64	92	92	92	92	92	106	106	106			
c	52	58	58	59	59	60	67.5	67.5	67.5			
d	60	85	85	85	85	85	85	85	85			
e	52	77	77	77	77	77	77	77	77			
f	5.3	5.3	5.3	5.5	5.5	5.5	6.5	6.5	6.5			
g	7	8	8	8	8	8	12	12	12			
g.1 / T	2	2	2	2	2	2	2/3	2/3	2/3			
h	79	105	108	107	107	112	134	134	134			
k	46	32	33	55	55	48	62	62	62			
l	55	70	70	73	73	76	90	90	90			
l1	65	80	80	85	85	88	99	99	99			
α	20	20	20	20	20	20	20	20	20			
Terminal Capacity	1.5 – 2.5 sq. mm			4 – 6 sq. mm			10 – 16 sq. mm					

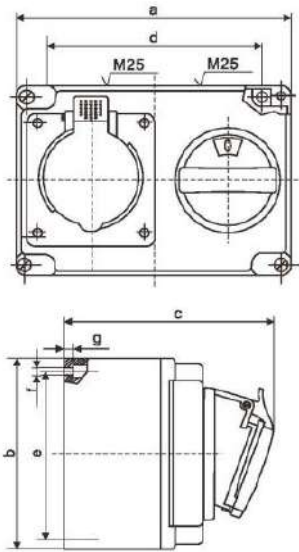
Panel Mounted Angled Socket IP44



a	73.5	100	100	100	100	100	110	110	110	114	114	114
b	64	92	92	92	92	92	106	106	106	110	110	110
c	52	59	62	64	64	66	83	83	83	75	75	75
d	60	85	85	85	85	85	85	85	85	90	90	90
e	52	77	77	77	77	77	77	77	77	90	90	90
f	5.3	5.3	5.3	5.5	5.5	5.5	6.5	6.5	6.5	6.2	6.2	6.2
g	7	8	8	8	8	8	12	12	12	13	13	13
g.1	2	2	2	2	2	2	2	2	2	2	2	2
h	84	103	105	109	109	113	115	115	115	125	125	125
i	78	85	96	103	103	110	117	117	117	135	135	135
k	48	32	33	55	55	48	62	62	62	98	98	98
l	55	70	70	73	73	76	90	90	90	100	100	100
l1	65	80	80	85	85	88	99	99	99	107	107	107
T	-	-	-	-	-	-	3	3	3	-	-	-
α	20	20	20	20	20	20	20	20	20	15	15	15
Terminal Capacity	1.5 – 2.5 sq. mm			4 – 6 sq. mm			10 – 16 sq. mm			25 – 35 sq. mm		

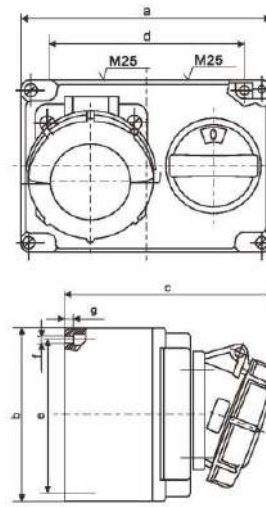
Product Dimension Details

Socket Outlet with Switches and Mechanical Interlock IP44



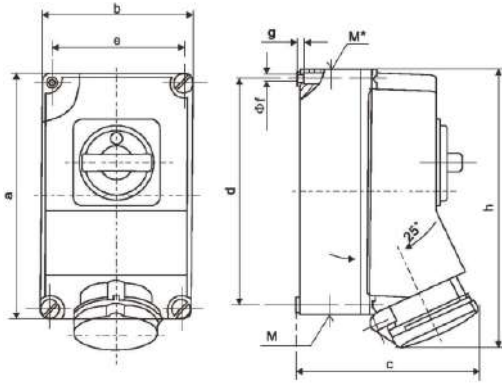
Amp	16A		
Pole	3P	4P	5P
a	170	170	170
b	118	118	118
c	134	137	141
d	136	136	136
e	104	104	104
f	6.1	6.1	6.1
g	2.5	2.5	2.5
M	25	25	25
Terminal Capacity	1.5- 2.5 sq.mm		

Socket Outlet with Switches and Mechanical Interlock IP67



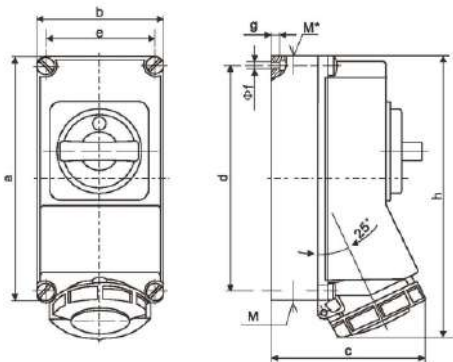
Amp	16A		
Pole	3P	4P	5P
a	170	170	170
b	118	118	118
c	136	139	143
d	136	136	136
e	104	104	104
f	6.1	6.1	6.1
g	2.5	2.5	2.5
M	25	25	25
Terminal Capacity	1.5- 2.5 sq.mm		

Socket Outlet with Switches and Mechanical Interlock Vertical IP44



Amp	16A			32A			63A		
Pole	3P	4P	5P	3P	4P	5P	3P	4P	5P
a	225	225	225	225	225	225	262	262	262
B	118	118	118	118	118	118	162	162	162
C	139	141	143	144	144	148	192	192	192
d	208	208	208	208	208	208	240	240	240
e	101	101	101	101	101	101	140	140	140
f	6.3	6.3	6.3	6.3	6.3	6.3	8.1	8.1	8.1
g	8	8	8	8	8	8	8.3	8.3	8.3
h	250	252	254	264	264	268	300	300	300
M	2x25	2x25	2x25	2x25	2x25	2x25	2x40	2x40	2x40
M*	25/32	25/32	25/32	25/32	25/32	25/32	40	40	40
Terminal Capacity	1.5 – 2.5 sq. mm			4 – 6 sq. mm			10 – 16 sq. mm		

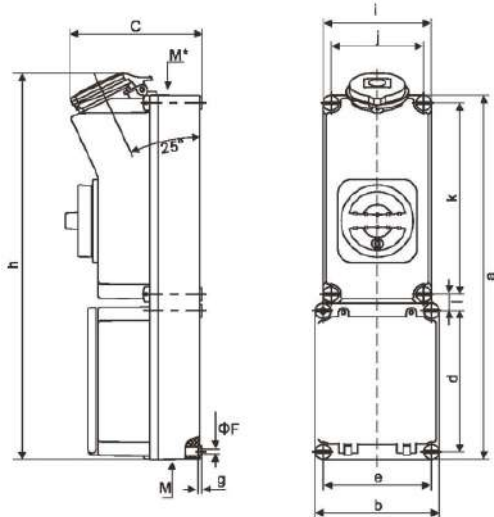
Socket Outlet with Switches and Mechanical Interlock Vertical IP67



Amp	16A			32A			63A		
Pole	3P	4P	5P	3P	4P	5P	3P	4P	5P
a	225	225	225	225	225	225	262	262	262
b	118	118	118	118	118	118	162	162	162
c	144	146	147	152	152	153	196	196	196
d	208	208	208	208	208	208	240	240	240
e	101	101	101	101	101	101	140	140	140
f	6.3	6.3	6.3	6.3	6.3	6.3	8.1	8.1	8.1
g	8	8	8	8	8	8	8	8	8
h	252	255	259	268	268	274	300	300	300
M	2x25	2x25	2x25	2x25	2x25	2x25	2x40	2x40	2x40
M*	25/32	25/32	25/32	25/32	25/32	25/32	40	40	40
Terminal Capacity	1.5 – 2.5 sq. mm			4 – 6 sq. mm			10 – 16 sq. mm		

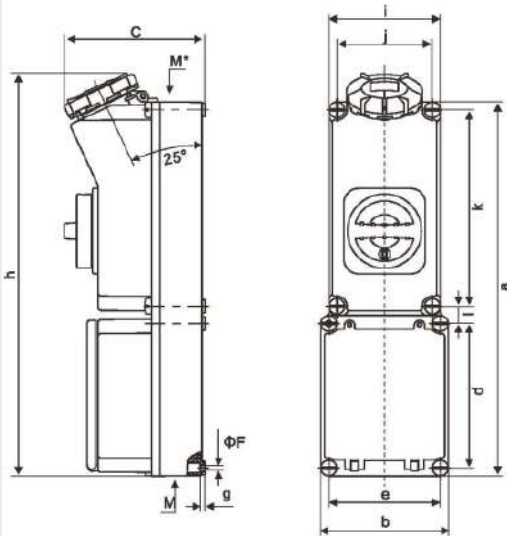
Product Dimension Details

Socket Outlet with Switches and Mechanical Interlock
Din Rail IP44



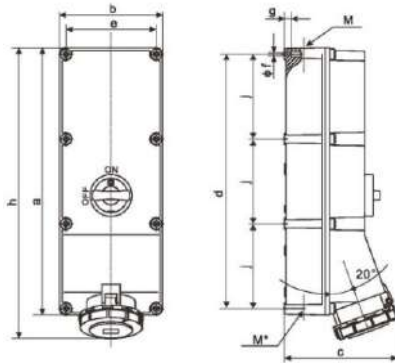
Amp	16A			32A			63A		
	3P	4P	5P	3P	4P	5P	3P	4P	5P
Pole	3P	4P	5P	3P	4P	5P	3P	4P	5P
a	392.2	392.2	392.2	392.2	392.2	392.2	430	430	430
b	135	135	135	135	135	135	135	135	135
c	147	149	151	152	152	153	192	192	192
d	153.1	153.1	153.1	153.1	153.1	153.1	153	153	153
e	118	118	118	118	118	118	118	118	118
f	6.3	6.3	6.3	6.3	6.3	6.3	6.3	6.3	6.3
g	7	7	7	7	7	7	7	7	7
h	423	425	427	434	434	440	470	470	470
i	118	118	118	118	118	118	160	160	160
j	101	101	101	101	101	101	140	140	140
k	208	208	208	208	208	208	240	240	240
l	18.1	18.1	18.1	18.1	18.1	18.1	18.6	18.6	18.6
M*	2x25	2x25	2x25	2x25	2x25	2x25	1xM40	1xM40	1xM40
M	25/32	25/32	25/32	25/32	25/32	25/32	1xM32 1xM40		
Terminal Capacity	1.5 – 2.5 sq. mm			4 – 6 sq. mm			10 – 16 sq. mm		

Socket Outlet with Switches and Mechanical Interlock
Din Rail IP67



Amp	16A			32A			63A		
	3P	4P	5P	3P	4P	5P	3P	4P	5P
Pole	3P	4P	5P	3P	4P	5P	3P	4P	5P
a	392.2	392.2	392.2	392.2	392.2	392.2	430	430	430
b	135	135	135	135	135	135	135	135	135
c	150	153	156	161	161	165	198	198	198
d	153.1	153.1	153.1	153.1	153.1	153.1	153	153	153
e	118	118	118	118	118	118	118	118	118
f	6.3	6.3	6.3	6.3	6.3	6.3	6.3	6.3	6.3
g	7	7	7	7	7	7	7	7	7
h	425	427	429	438	438	443	472	472	472
i	118	118	118	118	118	118	160	160	160
j	101	101	101	101	101	101	140	140	140
k	208	208	208	208	208	208	240	240	240
l	18.1	18.1	18.1	18.1	18.1	18.1	18.6	18.6	18.6
M*	2x25	2x25	2x25	2x25	2x25	2x25	1xM40	1xM40	1xM40
M	25/32	25/32	25/32	25/32	25/32	25/32	1xM32 1xM40		
Terminal Capacity	1.5 – 2.5 sq. mm			4 – 6 sq. mm			10 – 16 sq. mm		

Socket Outlet with Switches and Mechanical Interlock
Vertical IP67

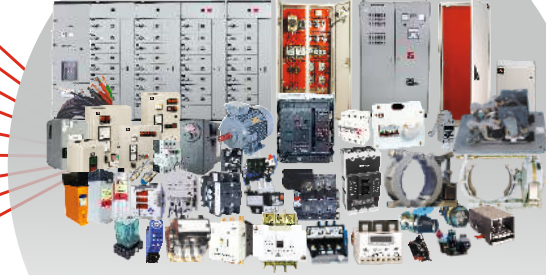


Amp	125A (Without DIN Rail)			Amp	125A (DIN Type)		
	3P	4P	5P		Pole	3P	4P
Pole	3P	4P	5P	Pole	3P	4P	5P
a	501	501	501	a	501	501	501
b	194	194	194	b	194	194	194
c	213	213	213	c	213	213	213
d	477	477	477	d	477	477	477
e	170	170	170	e	170	170	170
f	6.3	6.3	6.3	f	6.3	6.3	6.3
g	13.5	13.5	13.5	g	13.5	13.5	13.5
h	550	550	550	h	550	550	550
J	159	159	159	J	159	159	159
M	1xM40 + 1xM50			M	1xM40 + 1xM50		
M*	1xM40 + 1xM50			M*	1xM40 + 1xM50		
Terminal Capacity	25 – 35 sq. mm			Terminal Capacity	25 – 35 sq. mm		

All dimensions are in mm

Power Control Products
Starters & Submersible Pump Starters
Industrial Enclosures
Industrial Products
Wires & Cables
Motor Control Products
Power Bus Duct
Customised Solution
Automation

a strong commitment to serve better always ...



BCH ELECTRIC LIMITED



www.bchindia.com



1800-103-9262

customer@bchindia.com

Visit us at : www.bchindia.com

Corporate Office : 1105, New Delhi House, 27, Barakhamba Road, New Delhi-110 001 Tel. : 91-11- 43673100

CIN : U31103WB1965PLC026427, **Customercare No.** 1800-103-9262, **E-mail :** marketing@bchindia.com

Registered Office : Block 1E, 216, Acharya Jagadish Chandra Bose Road, Kolkata - 700 017

Works 1 : 20/4, Mathura Road, Faridabad -121 006 (Haryana) Tel. : 0129-4063000/4293000 Fax : 0129-2304016

Works 2 : 64-68, Sector-7, IIE, Pant Nagar, Rudrapur, Udham Singh Nagar - 263 153 (Uttarakhand) Tel. : 05944-250214/16 Fax : 05944-250215

Sales Offices :

Ahmedabad

401, Ship Zeverni,
Beside Shyamal Iconic,
Above Westside,
Shyamal Cross Road,
Ahmedabad - 380015
E-mail: ahmedabad@bchindia.com

Bangalore

2nd Floor, 130/5,
K.H. Road (Double road),
Bangalore - 560 027
Tel.: 080-41144879 / 22236759
E-mail : bangalore@bchindia.com

Bhubaneswar

Mallick Commercial
Complex Plot No.: A/69, unit - 3
Bhubaneswar - 751 001
Tel.: 0674-2380988
E-mail: bhubaneswar@bchindia.com

Chandigarh (Panchkula)

SCO -270, 2nd Floor,
Sector-16, Panchkula
Haryana-134 113
Tel.: 0172-5078957 / 5049905
E-mail: chandigarh@bchindia.com

Chennai

Flat No. 3A, 3rd Floor,
Sree Apartments,
No.508, TTK Road,
Alwarpet, Chennai 600 018
Tel.: 044-24337046, 24337047
E-mail : chennai@bchindia.com

Coimbatore

87, Dr. Nanjappa Road,
Coimbatore - 641 018
Tel. : 0422-2305311 / 2302599
E-mail : coimbatore@bchindia.com

Delhi 1

801, Akash Deep Building,
26A, Barakhamba Road,
New Delhi - 110 001
Tel. : 011-23313878 / 43518200
E-mail : delhi@bchindia.com

Delhi 2

710, Deepali Building, 92
Nehru Place, New Delhi - 110 019
Tel. : 011-45720334
E-mail : delhi2@bchindia.com

Dehradun

8, Co-operative Industrial Estate,
Patel Nagar, Dehradun-248001
E-mail : dehradun@bchindia.com

Faridabad

20/4, Mathura Road,
Faridabad - 121 006 (Haryana)
Tel/fax : 0129-4293009
E-mail : faridabad@bchindia.com

Hyderabad

1-8-303/48/13/102, Arya One,
2nd Floor, P. G. Road,
Secunderabad - 500 003
Tel. : 040-66206263/27890306
Fax : 040-66207273
E-mail : hyderabad@bchindia.com

Indore

330-331, Indraprastha Tower,
3rd Floor, 6, M.G. Road,
Indore - 452 001
Tel. : 0731-2510011 / 2510012
E-mail : indore@bchindia.com

Jaipur

25, Hathroi, Gopalbari,
Jaipur - 302 001
Tel. : 0141-2363521
E-mail : jaipur@bchindia.com

Jamshedpur

3rd Floor, Aastha Trade Centre,
'Q' Road, Bistupur,
Jamshedpur - 831 001
Tel. : 0657-2321097/2321481
E-mail : jamshedpur@bchindia.com

Kolkata

Block 1E, 216,
Acharya Jagadish Chandra Bose Road,
Kolkata - 700 017
Tel. : 033-22871728 / 46021884
E-mail : kolkata@bchindia.com

Lucknow

Shop No. 3, First Floor, Tower T-10,
Millennium Place IBB - 2,
Sushant Golf City, Sultanpur Road,
Lucknow - 226030
Tel. : 0522-4025597/4025997
E-mail : lucknow@bchindia.com

Ludhiana

S.C.O. - 18, 2nd Floor,
Feroze Gandhi Market,
Ludhiana - 140 001
Tel. : 0161-5021807/5022808
E-mail : ludhiana@bchindia.com

Mumbai

A-151, Mittal Tower,
Nariman Point,
Mumbai - 400 021
Tel. : 022-22822947/22850162
Fax : 022-22822858
E-mail : mumbai@bchindia.com

Pune

8, Sarosh Bhavan,
16-B/1, Dr. Ambedkar Road,
Pune - 411 001
Tel. : 020-41210002
E-mail : pune@bchindia.com

Raipur

6th Floor, Office No. 607,
Babylon Capital, Near Oswal
Petrol Pump, VIP Chowk,
G.E. Road, Raipur - 492 006
Tel. : 0771- 4045053
E-mail : raipur@bchindia.com

Vadodara

301, Third Floor, "Florence Classic",
10, Ashapuri Co-Op. Hsg. Soc. Ltd., Opp. VUDA Housing,
Near Cow Circle, Akota, Vadodara - 390 020
Tel. : 0265-2345068/2345069
Telefax : 0265-2345068,
E-mail : vadodara@bchindia.com

Other Branch Locations

Cochin : cochin@bchindia.com, **Guwahati :** guwahati@bchindia.com, **Vishakapatnam :** vizag@bchindia.com, **Surat :** surat@bchindia.com, **Trichy :** Trichy@bchindia.com

Resident Engineer Locations

Anantapur	Jodhpur	Madurai	Rajkot	Siliguri
Aurangabad	Jalandhar	Muzaffarnagar	Rajahmundry	Tirunelveli
Bhopal	Kanpur	Nagpur	Ranchi	Udaipur
Calicut	Katni	Nashik	Rourkela	Vapi
Gurgaon	Kharagpur	Nanded	Rudrapur	Vijayawada
Hosapate	Kota	Patna	Salem	Warangal
Hubli	Kolhapur	Puducherry	Satna	Yamuna Nagar