

## CONICAL TYPE BUS BAR SUPPORTS (DMC)

CAT. NO.	INSERT BRASS/MS	DIMENSIONS (mm)			RATE (in INR.)
		A	B	C	
2525 C	M6	25	22	25	<u>₹18.00</u>
3030 C	M6 , M8	30	26	30	<u>₹22.00</u>
3033 C	M8	30	29	33	<u>₹26.00</u>
3535 C	M6	35	28	35	<u>₹32.00</u>
3535 C	M8	35	28	35	<u>₹36.00</u>
4040 C	M8	40	32	40	<u>₹36.00</u>
4040 C	M10	40	32	40	<u>₹44.00</u>
4545 C	M8	45	34	45	<u>₹44.00</u>
4545 C	M10	45	34	45	<u>₹54.00</u>
5050 C	M8	50	39	50	<u>₹54.00</u>
5050 C	M10	50	39	50	<u>₹60.00</u>
5050 C	M12	50	39	50	<u>₹72.00</u>
6050 C	M10	60	39	50	<u>₹72.00</u>
6050 C	M12	60	39	50	<u>₹80.00</u>
6060 C	M10	60	42	60	<u>₹80.00</u>
6060 C	M12	60	42	60	<u>₹88.00</u>
7050 C	M10	70	39	50	<u>₹88.00</u>
7050 C	M12	70	39	50	<u>₹100.00</u>
8055 C	M12	80	43	55	<u>₹180.00</u>
9055 C	M12	90	43	55	<u>₹210.00</u>
10060 C	M12	100	43	60	<u>₹280.00</u>



**Material : DMC (Dough Molding Compound )**

**All Dimensions are in MM**

**Insert : Brass / Steel (Zinc Plated)**

**Colour : Red / Brown / Grey**

## HEXAGONAL TYPE BUS BAR SUPPORTS (DMC)

CAT. NO.	INSERT BRASS/MS	DIMENSIONS (mm)			RATE (in INR.)
		A	B	C	
15 H	M4	15	12	14	<u>₹20.00</u>
20 H	M6	20	14	18	<u>₹20.00</u>
25 H	M6	25	21	25	<u>₹20.00</u>
30 H	M6	30	25	33	<u>₹24.00</u>
30 H	M8	30	25	33	<u>₹26.00</u>
35 H	M6	35	24	30	<u>₹34.00</u>
35 H	M8	35	24	30	<u>₹38.00</u>
40 H	M8	40	30	40	<u>₹40.00</u>
40 H	M10	40	30	40	<u>₹48.00</u>
45 H	M8	45	28	40	<u>₹48.00</u>
45 H	M10	45	28	40	<u>₹56.00</u>
50 H	M8	50	36	46	<u>₹56.00</u>
50 H	M10	50	36	46	<u>₹64.00</u>
50 H	M12	50	36	46	<u>₹86.00</u>
60 H	M10	60	38	50	<u>₹84.00</u>
60 H	M12	60	38	50	<u>₹92.00</u>
70 H	M10	70	42	55	<u>₹92.00</u>
70 H	M12	70	42	55	<u>₹108.00</u>



**Material : DMC (Dough Molding Compound )**

**All Dimensions are in MM**

**Insert : Brass / Steel (Zinc Plated)**

**Colour : Red / Brown / Grey**



## "L" TYPE BUS BAR SUPPORTS (DMC/SMC)

CAT NO.	DIMENSIONS (mm)					RATE (in INR.)
	A	B	C	D	E	
60 H	60	10	10	40	50	<u>₹22.00</u>
85 H	85	10	10	40	50	<u>₹26.00</u>
105 H	105	10	10	40	50	<u>₹34.00</u>
125 H	125	10	10	40	50	<u>₹38.00</u>
150 H	150	11	11	40	50	<u>₹48.00</u>
175 H	175	12	12	40	50	<u>₹60.00</u>



Material : SMC (Sheet Molding Compound )

DMC (Dough Molding Compound )

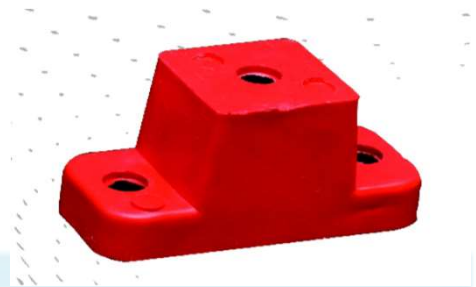
All Dimensions are in MM

Colour : Red/White



# SINGLE POLE "T" TYPE BUS BAR SUPPORTS (DMC)

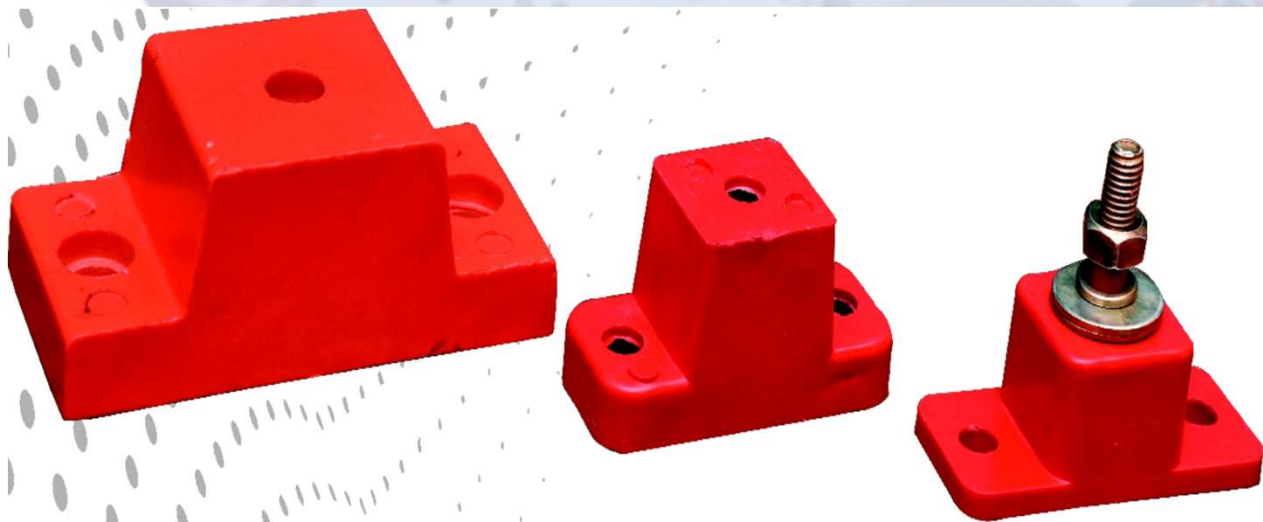
CAT NO.	DIMENSIONS (mm)				RATE (in INR.)
	A	B	C	D	
30 SP	55	26	30	6	<u>₹12.00</u>
30 SP BOLT	55	26	24	6	<u>₹16.00</u>
35 SP	87	40	35	8	<u>₹24.00</u>
40 SP	74	35	40	8	<u>₹30.00</u>
55 SP	110	50	55	12	<u>₹84.00</u>
65 SP	110	53	65	16	<u>₹120.00</u>
85 SP	108	50	85	16	<u>₹160.00</u>



Material : DMC (Dough Molding Compound)

All Dimensions are in MM

Colour : Red / Yellow / Blue / Black





## FINGER TYPE BUS BAR SUPPORTS ONE WAY , TWO WAY

CAT NO.	DIMENSIONS (mm)								RATE (in INR.)	
	A	B	C	D	E	F	G	H	RED	WHITE
106 W	7.5	60	32	15	10	70	15	27	<u>₹24.00</u>	<u>₹30.00</u>
110 W	11.5	60	32	40	10	70	15	27	<u>₹24.00</u>	<u>₹30.00</u>
112 W	13.5	60	32	15	10	70	15	27	<u>₹24.00</u>	<u>₹30.00</u>
106 K	7.5	70	40	20	16	70	15	27	<u>₹44.00</u>	<u>₹50.00</u>
110 K	11.5	70	40	20	16	70	15	27	<u>₹44.00</u>	<u>₹50.00</u>
112 K	13.5	70	40	20	16	70	15	27	<u>₹44.00</u>	<u>₹50.00</u>
206 W	7.5	60	32	15	10	70	15	27	<u>₹24.00</u>	<u>₹30.00</u>
210 W	11.5	60	32	15	10	70	15	27	<u>₹24.00</u>	<u>₹30.00</u>
212 W	13.5	60	32	15	10	70	15	27	<u>₹24.00</u>	<u>₹30.00</u>
206 K	7.5	70	40	20	16	70	15	27	<u>₹44.00</u>	<u>₹50.00</u>
210 K	11.5	70	40	20	16	70	15	27	<u>₹44.00</u>	<u>₹50.00</u>
212 K	13.5	70	40	20	16	70	15	27	<u>₹44.00</u>	<u>₹50.00</u>

Material : SMC (Sheet Molding Compound)

DMC (Dough Molding Compound)

All Dimensions are in MM

Colour : Red / White



## FINGER TYPE BUS BAR SUPPORTS THREE WAY , FOUR WAY

CAT NO.	DIMENSIONS (mm)									RATE (in INR.)	
	A	B	C	D	E	F	G	H	I	RED	WHITE
306 W	7.5	60	32	15	10	70	15	27	6	<u>₹44.00</u>	<u>₹50.00</u>
310 W	11.5	100	50	15	10	70	15	27	9.5	<u>₹44.00</u>	<u>₹50.00</u>
312 W	13.5	100	50	15	10	70	15	27	12	<u>₹44.00</u>	<u>₹50.00</u>
306 K	7.5	70	40	20	16	70	15	27	6	<u>₹66.00</u>	<u>₹74.00</u>
310 K	11.5	100	50	20	16	70	15	27	9.5	<u>₹66.00</u>	<u>₹74.00</u>
312 K	13.5	100	50	20	16	70	15	27	12	<u>₹66.00</u>	<u>₹74.00</u>
406 W	7.5	100	50	15	10	70	15	27	6	<u>₹64.00</u>	<u>₹72.00</u>
410 W	11.5	100	50	15	10	70	15	27	9	<u>₹64.00</u>	<u>₹72.00</u>
412 W	13.5	130	80	15	10	70	15	27	13.5	<u>₹64.00</u>	<u>₹72.00</u>
406 K	7.5	100	50	20	16	70	15	27	6	<u>₹94.00</u>	<u>₹100.00</u>
410 K	11.5	100	50	20	16	70	15	27	9.5	<u>₹94.00</u>	<u>₹100.00</u>
412 K	13.5	130	80	20	16	70	15	27	12	<u>₹94.00</u>	<u>₹100.00</u>

Material : SMC (Sheet Molding Compound)

DMC (Dough Molding Compound)

All Dimensions are in MM

Colour : Red / White



# TERMINAL CONNECTOR

CAT NO.	DIMENSIONS (mm)				RATE (in INR.)
	A	B	C	BOLT SZIE	
TP - 1 (63A)	90	25	11	6 X 30	<u>₹46.00</u>
TPN - 1 (63A)	120	25	11	6 X 30	<u>₹56.00</u>
TP - 2 (100A)	130	32	12	8 X 40	<u>₹90.00</u>
TPN - 2 (100A)	175	32	12	8 X 40	<u>₹110.00</u>
TP - 3 (200A)	190	40	16	10 X 50	<u>₹160.00</u>
TPN - 3 (200A)	263	40	16	10 X 50	<u>₹300.00</u>

Material : DMC (Dough Molding Compound )

All Dimensions are in MM

Colour : Red



## DC CLIP

CAT NO.	DIMENSIONS (mm)			RATE (in INR.)
	A	B	C	
25 X 3 DC	76	24	25	<u>₹28.00</u>
25 X 6 DC	76	24	25	<u>₹28.00</u>
32 X 3 DC	76	24	25	<u>₹32.00</u>
32 X 6 DC	76	24	25	<u>₹32.00</u>
40 X 3 DC	76	24	25	<u>₹38.00</u>
40 X 6 DC	76	24	25	<u>₹38.00</u>
50 X 3 DC	82	24	25	<u>₹42.00</u>
50 X 6 DC	82	24	25	<u>₹42.00</u>

**Material : DMC (Dough Molding Compound )**

**All Dimensions are in MM**

**Colour : Red**





# H.T. INSULATORS

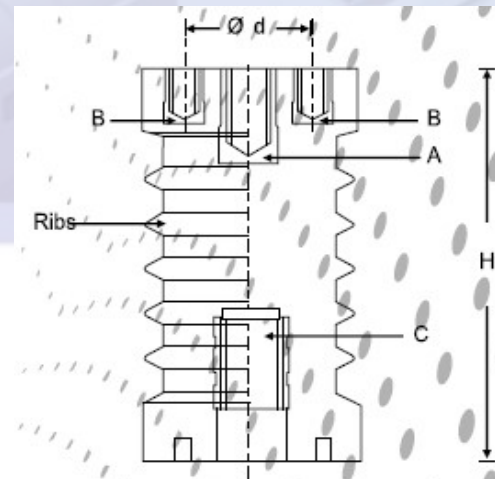
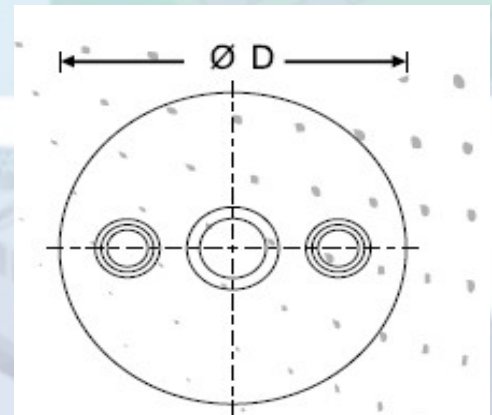
PART NO	DIMENSIONS (mm)									RATE (in INR.)
	VOLTAGE (KV)	RIBS	CREE PAGE	$\varnothing D$	H	$\varnothing d$	A	B	C	
HTMV 6075	6.8	2	112	60	75	36	M 10	M 6	M 12	<u>₹400.00</u>
HTMV 6090	8.5	3	140	60	90	36	M 10	M 6	M 12	<u>₹440.00</u>
HTMV 60135	12	5	200	60	130	36	M 12	M 6	M 16	<u>₹600.00</u>
HTMV 75130	12	5	200	75	130	45	M 16	M 10	M 20	<u>₹700.00</u>

Material : Cast Resin / DMC (Dough Molding Compound)

Insert : Brass / Steel (Zinc Plated)

All Dimensions are in MM

Colour : Brown



## HEAT SHINKEABLE SLEEVE

CAT NO.	SIZE	SUITABLE BUS BAR SIZE	RATE (P.MTR.)
HSS1	25mm	12x6mm, 15x3mm	<u>₹6.30</u>
HSS2	30mm	19x6mm	<u>₹13.00</u>
HSS3	35mm	20x6mm, 25x3mm	<u>₹14.00</u>
HSS4	41mm	25x6mm,25x10mm,25x12mm	<u>₹16.00</u>
HSS5	48mm	25x12mm,30x6mm,30x10mm	<u>₹19.00</u>
HSS6	55mm	30x12mm,38x6mm	<u>₹23.00</u>
HSS7	61mm	38x9mm,38x12mm,40x6mm,40x10mm	<u>₹25.00</u>
HSS8	73mm	50x6mm	<u>₹28.00</u>
HSS9	81mm	50x10mm,50x12mm	<u>₹30.00</u>
HSS10	93mm	60x12mm , 75x6mm	<u>₹32.00</u>
HSS11	103mm	75x10mm,75x12mm	<u>₹36.00</u>
HSS12	110mm	90x6mm,90x12mm	<u>₹40.00</u>
HSS13	128mm	100x6mm,100x10mm	<u>₹44.00</u>
HSS14	140mm	100x12mm	<u>₹50.00</u>
HSS15	170mm	125x6mm,125x12mm,150x6mm	<u>₹62.00</u>
HSS16	190mm	150x6mm,150x10mm,150x12mm	<u>₹68.00</u>
HSS17	210mm	175x6mm,175x10mm,175x12mm	<u>₹74.00</u>
HSS18	230mm	200x6mm,100x12mm	<u>₹80.00</u>

