

# Compact Fans - AC



# Compact Fans - AC



| Model | Bearing | Voltage (VAC) | Frequency (Hz) | Current (A) | Speed (RPM) | Watt (W) | Air Flow (CFM) | Static Pressure (mm H <sub>2</sub> O) | Noise (dBA) |
|-------|---------|---------------|----------------|-------------|-------------|----------|----------------|---------------------------------------|-------------|
|-------|---------|---------------|----------------|-------------|-------------|----------|----------------|---------------------------------------|-------------|

## 80X80X25mm

|           |        |     |       |             |           |       |       |       |       |
|-----------|--------|-----|-------|-------------|-----------|-------|-------|-------|-------|
| 8A115HBAC | Ball   | 115 | 50/60 | 0.210/0.180 | 2300/2800 | 14/12 | 21/25 | 4/4.8 | 29/34 |
| 8A115HSAC | Sleeve | 115 | 50/60 | 0.210/0.180 | 2300/2800 | 14/12 | 21/25 | 4/4.8 | 29/34 |
| 8A230HBAC | Ball   | 230 | 50/60 | 0.070/0.060 | 2300/2800 | 14/12 | 21/25 | 4/4.8 | 29/34 |
| 8A230HSAC | Sleeve | 230 | 50/60 | 0.070/0.060 | 2300/2800 | 14/12 | 21/25 | 4/4.8 | 29/34 |

## 92X92X25mm

|           |        |     |       |             |           |       |       |     |       |
|-----------|--------|-----|-------|-------------|-----------|-------|-------|-----|-------|
| 9A115HBAC | Ball   | 115 | 50/60 | 0.210/0.180 | 2300/2800 | 14/14 | 36/42 | 5/6 | 36/38 |
| 9A115HSAC | Sleeve | 115 | 50/60 | 0.210/0.180 | 2300/2800 | 14/14 | 36/42 | 5/6 | 36/38 |
| 9A230HBAC | Ball   | 230 | 50/60 | 0.070/0.060 | 2300/2800 | 14/12 | 36/42 | 5/6 | 36/38 |
| 9A230HSAC | Sleeve | 230 | 50/60 | 0.070/0.060 | 2300/2800 | 14/12 | 36/42 | 5/6 | 36/38 |

## 120X120X38mm

|            |        |     |       |             |           |       |        |         |       |
|------------|--------|-----|-------|-------------|-----------|-------|--------|---------|-------|
| 12A24HBAC  | Ball   | 24  | 50/60 | 1/0.9       | 2650/2800 | 18/17 | 95/102 | 8.4/9.4 | 43/46 |
| 12A24HSAC  | Sleeve | 24  | 50/60 | 1/0.9       | 2650/2800 | 18/17 | 95/102 | 8.4/9.4 | 43/46 |
| 12A115HBAC | Ball   | 115 | 50/60 | 0.200/0.180 | 2650/2800 | 14/12 | 95/102 | 8.4/9.4 | 43/46 |
| 12A115HSAC | Sleeve | 115 | 50/60 | 0.200/0.180 | 2650/2800 | 14/12 | 95/102 | 8.4/9.4 | 43/46 |
| 12A230HBAC | Ball   | 230 | 50/60 | 0.100/0.090 | 2650/2800 | 18/17 | 95/102 | 8.4/9.4 | 43/46 |

■ Ask for Low Noise versions

Specifications subject to change without notice

## Compact Fans - AC



| Model | Bearing | Voltage (VAC) | Frequency (Hz) | Current (A) | Speed (RPM) | Watt (W) | Air Flow (CFM) | Static Pressure (mm H <sub>2</sub> O) | Noise (dBA) |
|-------|---------|---------------|----------------|-------------|-------------|----------|----------------|---------------------------------------|-------------|
|-------|---------|---------------|----------------|-------------|-------------|----------|----------------|---------------------------------------|-------------|

### 120X120X38mm

|            |        |     |       |             |           |       |        |         |       |
|------------|--------|-----|-------|-------------|-----------|-------|--------|---------|-------|
| 12A230HSAC | Sleeve | 230 | 50/60 | 0.100/0.090 | 2650/2800 | 18/17 | 95/102 | 8.4/9.4 | 43/46 |
| 12A415HBAC | Ball   | 415 | 50/60 | 0.070/0.060 | 2650/2800 | 20/20 | 95/102 | 8.4/9.4 | 43/46 |
| 12A415HSAC | Sleeve | 415 | 50/60 | 0.070/0.060 | 2650/2800 | 20/20 | 95/102 | 8.4/9.4 | 43/46 |

### 172Φx150x51mm & 172x172x55mm

|            |        |     |       |             |           |       |         |       |       |
|------------|--------|-----|-------|-------------|-----------|-------|---------|-------|-------|
| 17A115HBAC | Ball   | 115 | 50/60 | 0.450/0.450 | 2600/2750 | 41/38 | 190/235 | 16/21 | 52/55 |
| 17A115HSAC | Sleeve | 115 | 50/60 | 0.450/0.450 | 2600/2750 | 41/38 | 190/235 | 16/21 | 52/55 |
| 17A230HBAC | Ball   | 230 | 50/60 | 0.250/0.245 | 2600/2750 | 38/37 | 190/235 | 16/21 | 52/55 |
| 17A230HSAC | Sleeve | 230 | 50/60 | 0.250/0.245 | 2600/2750 | 38/37 | 190/235 | 16/21 | 52/55 |
| 17A415HBAC | Ball   | 415 | 50/60 | 0.125/0.125 | 2600/2750 | 38/38 | 190/235 | 16/21 | 52/55 |
| 17A415HSAC | Sleeve | 415 | 50/60 | 0.125/0.125 | 2600/2750 | 38/38 | 190/235 | 16/21 | 52/55 |

### 220ΦX60mm & 220X220X60mm

|              |        |     |    |       |      |    |     |    |    |
|--------------|--------|-----|----|-------|------|----|-----|----|----|
| 22A115HBAC   | Ball   | 115 | 50 | 0.640 | 2300 | 50 | 360 | 23 | 56 |
| 22A115HSAC   | Sleeve | 115 | 50 | 0.640 | 2300 | 50 | 360 | 23 | 56 |
| 22A115HBAC-X | Ball   | 115 | 50 | 0.650 | 2600 | 55 | 430 | 28 | 56 |

■ Ask for Low Noise versions

Specifications subject to change without notice

17A and 22A models available in square and round casings

## Compact Fans - AC



| Model                               | Bearing | Voltage (VAC) | Frequency (Hz) | Current (A) | Speed (RPM) | Watt (W) | Air Flow (CFM) | Static Pressure (mm H <sub>2</sub> O) | Noise (dBA) |
|-------------------------------------|---------|---------------|----------------|-------------|-------------|----------|----------------|---------------------------------------|-------------|
| <b>220ΦX60mm &amp; 220X220X60mm</b> |         |               |                |             |             |          |                |                                       |             |
| 22A115HBAC-X-6H                     | Ball    | 115           | 60             | 0.700       | 2600        | 55       | 430            | 28                                    | 56          |
| 22A230HBAC                          | Ball    | 230           | 50             | 0.320       | 2300        | 50       | 360            | 23                                    | 56          |
| 22A230HSAC                          | Sleeve  | 230           | 50             | 0.320       | 2300        | 50       | 360            | 23                                    | 56          |
| 22A230HSAC-X                        | Sleeve  | 230           | 50             | 0.32        | 2600        | 55       | 430            | 28                                    | 56          |
| 22A230HSAC-X-6H                     | Sleeve  | 230           | 60             | 0.40        | 2700        | 60       | 450            | 29                                    | 57          |
| 22A230HBAC-X                        | Ball    | 230           | 50             | 0.32        | 2600        | 55       | 430            | 28                                    | 56          |
| 22A230HBAC-X-6H                     | Ball    | 230           | 60             | 0.40        | 2700        | 60       | 450            | 29                                    | 57          |
| 22A415HBAC                          | Ball    | 415           | 50             | 0.200       | 2300        | 50       | 360            | 23                                    | 56          |
| 22A415HSAC                          | Sleeve  | 415           | 50             | 0.200       | 2300        | 50       | 360            | 23                                    | 56          |
| 22A415HSAC-X                        | Sleeve  | 415           | 50             | 0.160       | 2600        | 50       | 430            | 28                                    | 56          |
| 22A415HBAC-X                        | Ball    | 415           | 50             | 0.160       | 2600        | 50       | 430            | 28                                    | 56          |

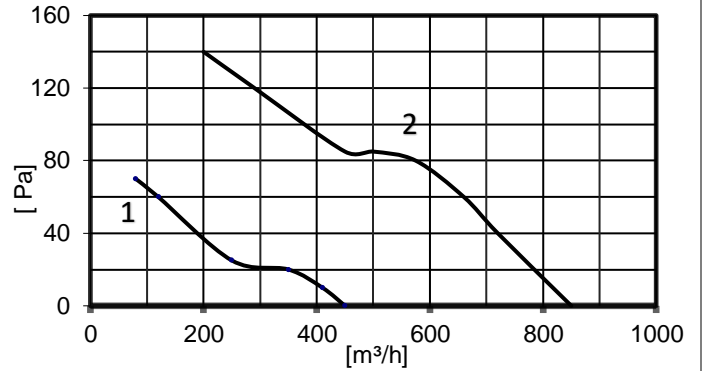
■ Ask for Low Noise versions

Specifications subject to change without notice

17A and 22A models available in square and round casings

## Large Axial Fans

## 200 mm

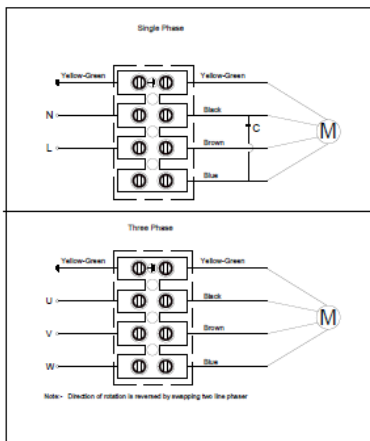


**Bearing System** : Ball  
**Material Blade** : Sheet Steel with powder coated  
**Material Of Guard Grill** : Steel wire with powder coated  
**Type Protection** : IP44  
**Motor Protection** : Thermal Protection

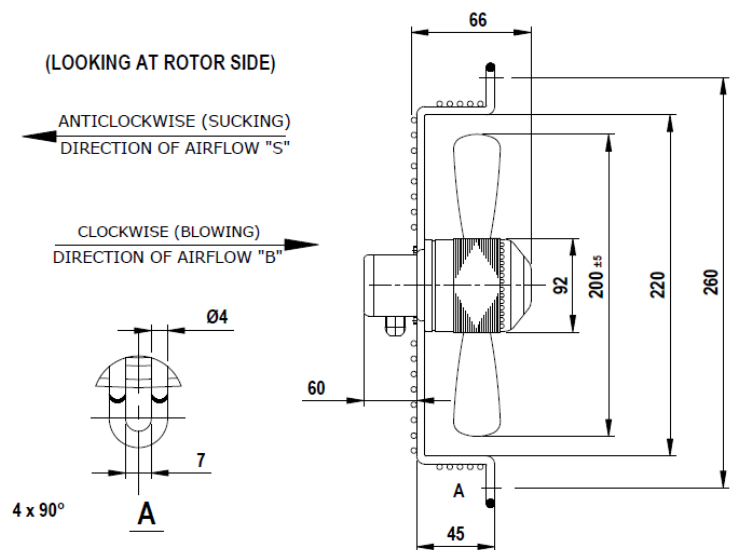
**Balancing Grade** : G6.3 (Two Plane)  
**Mode Operation** : Continuous Operation  
**Insulation Class** : Class F  
**Operating Temperature**: -30°C To +60°C  
**Product Life** : 30,000 hours (At 40 °C)

| Model  | Voltage | Frequency | Current | Speed | Watt | Air Flow | Air Flow | Noise | Capacitor | Curve |
|--------|---------|-----------|---------|-------|------|----------|----------|-------|-----------|-------|
|        | V AC    | Hz        | A       | RPM   | W    | CFM      | M3/h     | dB(A) | µf        |       |
| 4E-200 | 230     | 50        | 0.21    | 1450  | 45   | 265      | 450      | 46    | 1.5       | 1     |
| 2E-200 | 230     | 50        | 0.38    | 2400  | 65   | 500      | 850      | 55    | 2         | 2     |
| 4D-200 | 415     | 50        | 0.12    | 1450  | 35   | 265      | 450      | 46    | -         | 1     |
| 2D-200 | 415     | 50        | 0.22    | 2400  | 65   | 500      | 850      | 55    | -         | 2     |

### Wiring Diagram:



### Drawing:-

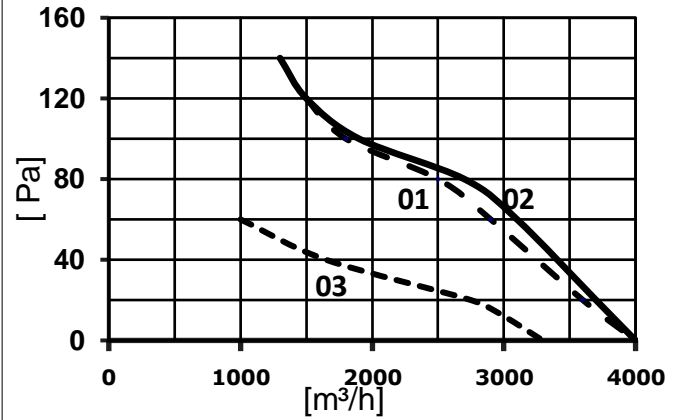


Note:-  
As Part of a green initiative, Hicool is constantly working to reduce power consumption without altering fan motor Performance. Actual Current & Wattage readings Can be lower than mentioned in datasheet & fan name plate.



## Large Axial Fans

## 400mm

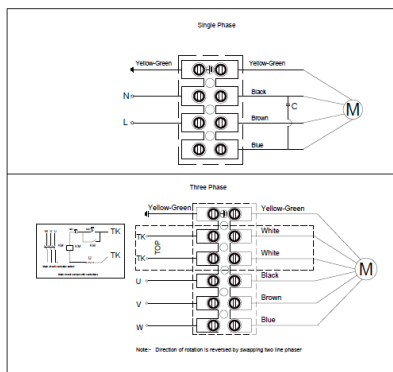


**Bearing System** : Ball  
**Material Blade** : Sheet steel with powder coated  
**Material Of Guard Grill** : Steel wire with powder coated  
**Type Protection** : IP44  
**Motor Protection** : Thermal Protection

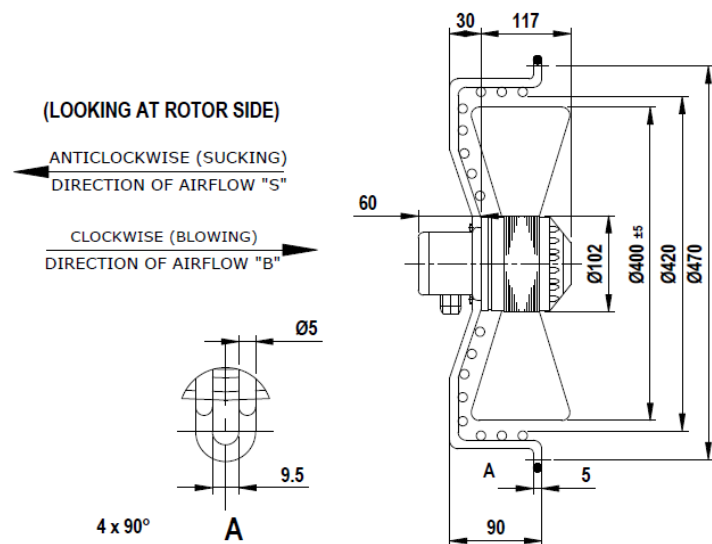
**Balancing Grade** : G6.3 (Two Plane)  
**Mode Operation** : Continuous Operation  
**Insulation Class** : Class F  
**Operating Temperature**: -30°C To +60°C  
**Product Life** : 30,000 hours (At 40 °C)

| Model  | Voltage | Frequency | Current | Speed | Watt | Air Flow | Air Flow | Noise | Capacitor | Curve |
|--------|---------|-----------|---------|-------|------|----------|----------|-------|-----------|-------|
|        | V AC    | Hz        | A       | RPM   | W    | CFM      | M3/h     | dB(A) | µf        |       |
| 4E-400 | 230     | 50        | 0.82    | 1380  | 180  | 2354     | 4000     | 65    | 6         | 1     |
| 4D-400 | 415     | 50        | 0.47    | 1380  | 180  | 2354     | 4000     | 65    | -         | 2     |
| 6E-400 | 230     | 50        | 0.52    | 920   | 108  | 1942     | 3300     | 59    | 4         | 3     |

### Wiring Diagram:



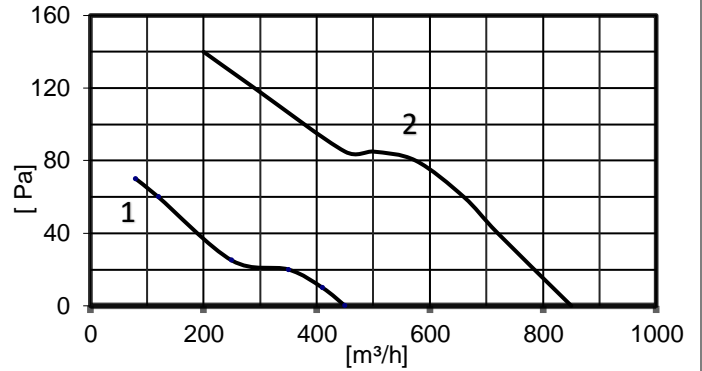
### Drawing:



Note:- As Part of a green initiative, Hicool is constantly working to reduce power consumption without altering fan motor performance. Actual Current & Wattage readings can be lower than mentioned in datasheet & fan name plate.

## Large Axial Fans

## 200 mm

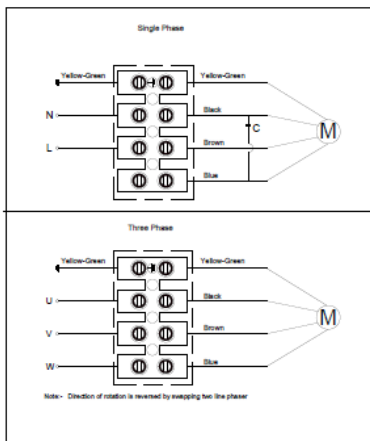


**Bearing System** : Ball  
**Material Blade** : Sheet Steel with powder coated  
**Material Of Guard Grill** : Steel wire with powder coated  
**Type Protection** : IP44  
**Motor Protection** : Thermal Protection

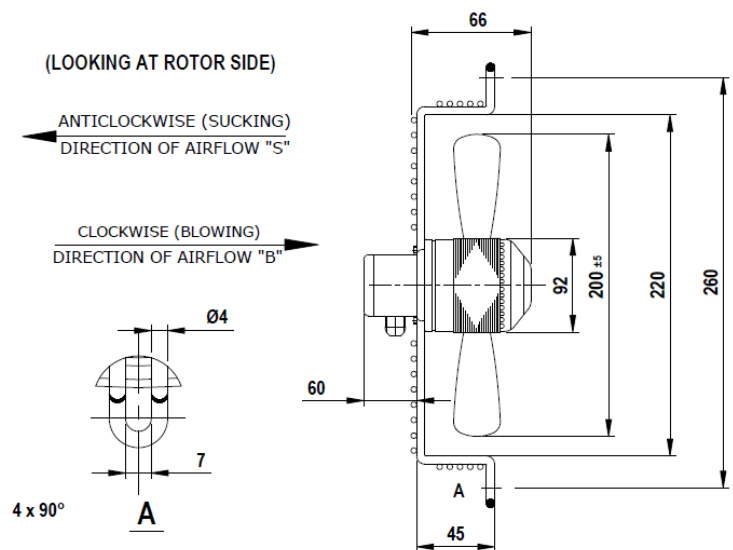
**Balancing Grade** : G6.3 (Two Plane)  
**Mode Operation** : Continuous Operation  
**Insulation Class** : Class F  
**Operating Temperature**: -30°C To +60°C  
**Product Life** : 30,000 hours (At 40 °C)

| Model  | Voltage | Frequency | Current | Speed | Watt | Air Flow | Air Flow | Noise | Capacitor | Curve |
|--------|---------|-----------|---------|-------|------|----------|----------|-------|-----------|-------|
|        | V AC    | Hz        | A       | RPM   | W    | CFM      | M3/h     | dB(A) | µf        |       |
| 4E-200 | 230     | 50        | 0.21    | 1450  | 45   | 265      | 450      | 46    | 1.5       | 1     |
| 2E-200 | 230     | 50        | 0.38    | 2400  | 65   | 500      | 850      | 55    | 2         | 2     |
| 4D-200 | 415     | 50        | 0.12    | 1450  | 35   | 265      | 450      | 46    | -         | 1     |
| 2D-200 | 415     | 50        | 0.22    | 2400  | 65   | 500      | 850      | 55    | -         | 2     |

### Wiring Diagram:



### Drawing:-

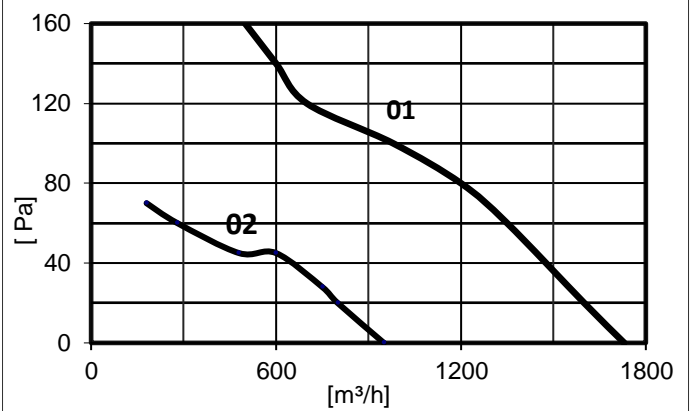


Note:-  
 As Part of a green initiative, Hicool is constantly working to reduce power consumption without altering fan motor Performance. Actual Current & Wattage readings Can be lower than mentioned in datasheet & fan name plate.



## Large Axial Fans

## 250mm

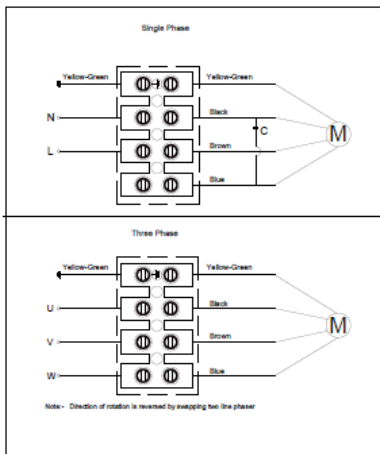


**Bearing System** : Ball  
**Material Blade** : Sheet steel with powder coated  
**Material Of Guard Grill** : Steel wire with powder coated  
**Type Protection** : IP44  
**Motor Protection** : Thermal Protection

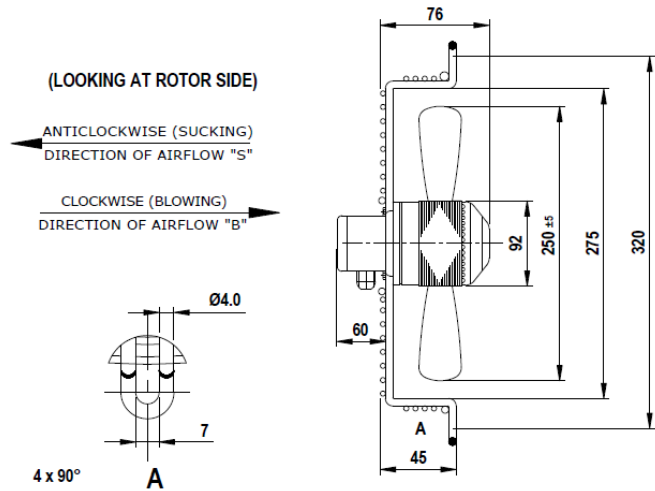
**Balancing Grade** : G6.3 (Two Plane)  
**Mode Operation** : Continuous Operation  
**Insulation Class** : Class F  
**Operating Temperature**: -30°C To +60°C  
**Product Life** : 30,000 hours (At 40 °C)

| Model  | Voltage | Frequency | Current | Speed | Watt | Air Flow | Air Flow | Noise | Capacitor | Curve |
|--------|---------|-----------|---------|-------|------|----------|----------|-------|-----------|-------|
|        | V AC    | Hz        | A       | RPM   | W    | CFM      | M3/h     | dBA   | µf        |       |
| 4E-250 | 230     | 50        | 0.30    | 1400  | 60   | 559      | 950      | 53    | 2         | 2     |
| 2E-250 | 230     | 50        | 0.55    | 2400  | 115  | 1018     | 1730     | 65    | 3         | 1     |
| 4D-250 | 415     | 50        | 0.25    | 1400  | 60   | 559      | 950      | 53    | -         | 2     |
| 2D-250 | 415     | 50        | 0.25    | 2400  | 115  | 1018     | 1730     | 65    | -         | 1     |

### Wiring diagram:-



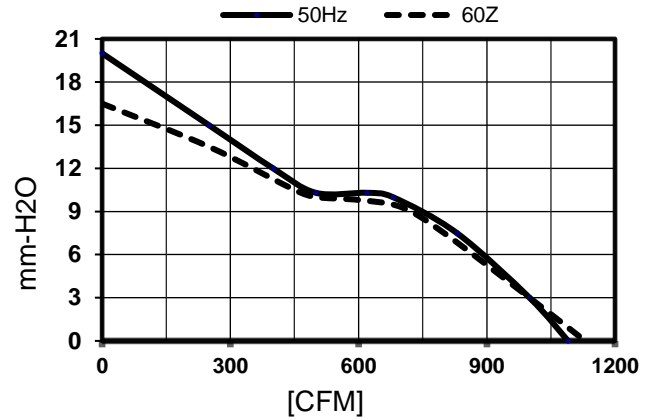
### Drawing:-



Note:-  
As Part of a green initiative, Hicool is constantly working to reduce power consumption without altering fan motor performance. Actual Current & Wattage readings can be lower than mentioned in datasheet & fan name plate.

## AC Compact Fans – 280A Metal

## 280 x 280 x 80 mm

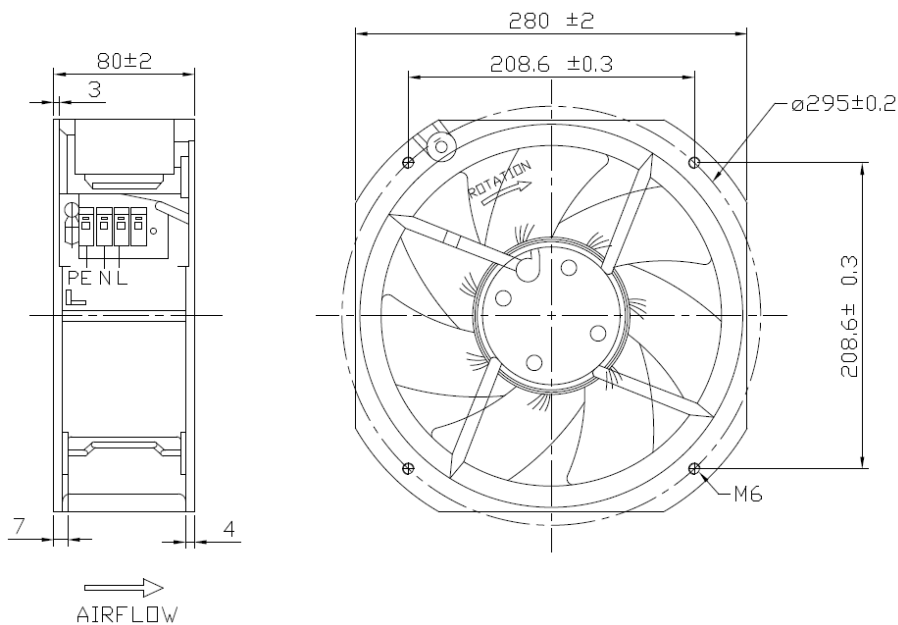


**Bearing System** : Ball Bearing  
**Blade** : Sheet steel, Coated in black  
**Motor** : External Rotor Capacitor Motor  
**Housing** : Die Cast Aluminium  
**Motor Protection** : Thermal Protected

**Dielectric Strength** : 1500 V AC 1 minute  
**Insulation Class** : Class F  
**Operating Temperature** : -20°C to +70°C  
**Product Life** : 40,000 hrs. (At 40°C)  
**Ingress Protection (IP)** : 44

| Model         | Voltage | Frequency | Current | Speed     | Watt    | Air Flow  | Static Pressure     | Noise |
|---------------|---------|-----------|---------|-----------|---------|-----------|---------------------|-------|
|               | V AC    | Hz        | mA      | RPM       | W       | CFM       | mm H <sub>2</sub> O | dBA   |
| 280A230HBAC-M | 230     | 50/60     | 590/820 | 2500/2700 | 119/130 | 1090/1130 | 16.5/20             | 68/70 |

Drawing:-



Note:-  
As Part of a green initiative, Hicool is constantly working to reduce power consumption without altering fan motor Performance. Actual Current & Wattage readings Can be lower than mentioned in datasheet & fan name plate.