

Kaycee for Commitment...

Kaycee for Quality...



KAYCEE

Brand that set the standards

**TOGGLE SWITCHES
UNSEALED & PANEL SEALED**



SPECIFICATION : IS / IEC 60947-5-1

ELECTRICAL DATA

- High Voltage : 1.0 KV for Terminal to earth & Terminal to Terminal
- Ambient Temperature : 50°C to 70°C
- Frequency of operation : 300 Opr / Hrs
- Mechanical Life : 20,000 Cycles
- Electrical Life : 10,000 Cycles
- Contact Resistance : 10m Ohms (Max)
- Insulation Resistance : 100 M/Ohms (Min)
- Contact Rating (Resistive) : 6A/250VAC
10A / 250VAC
15A / 250VAC
15A / 28VDC
- Screw Terminal : 6A / 250VAC
- Solder Terminals : 6A / 250VAC
- Circuitry : Single & Double throw
2-3 position with stay put and momentary contacts

MATERIAL : Good quality electric grade thermo plastic material / thermo set material

SINGLE POLE UNSEALED				
SEQUENCE				
Type	Rating	Pos : 1	Pos:2 CENTRE	Pos : 3
KT 1621	6 Amp.	OFF	--	ON (2-1)
KT 1021	10 Amp.	OFF	--	ON (2-1)
KT 1521	15 Amp.	OFF	--	ON (2-1)
KT 1022	10 Amp.	OFF	--	ON (2-1)*
KT 1631	6 Amp.	ON (2-3)	--	ON (2.1)
KT 1031	10 Amp.	ON (2-3)	--	ON (2-1)
KT 1531	15 Amp.	ON (2-3)	--	ON (2-1)
KT 1632	6 Amp.	ON (2-3)	OFF	ON (2-1)
KT 1032	10 Amp.	ON (2-3)	OFF	ON (2-1)
KT 1532	15 Amp.	ON (2-3)	OFF	ON (2-1)
KT 1033	10 Amp.	ON (2-3)	--	ON (2-1)*
KT1034	10 Amp.	ON (2-3)	OFF	ON (2-1)*
KT 1035	10 Amp.	ON (2-3)*	OFF	ON (2-1)*

DOUBLE POLE UNSEALED				
SEQUENCE				
Type	Rating	Pos : 1	Pos:2 CENTRE	Pos : 3
KT 2641	6 Amp.	OFF	--	ON (2-1)(5-4)
KT 2041	10 Amp.	OFF	--	ON (2-1)(5-4)
KT 2541	15 Amp.	OFF	--	ON (2-1)(5-4)
KT 2042	10 Amp.	OFF	--	ON (2-1)(5-4)*
KT 2661	6 Amp.	ON (2-3) (5-6)	--	ON (2-1)(5-4)
KT 2061	10 Amp.	ON (2-3) (5-6)	--	ON (2-1)(5-4)
KT 2561	15 Amp.	ON (2-3) (5-6)	--	ON (2-1)(5-4)
KT 2662	6 Amp.	ON (2-3) (5-6)	OFF	ON (2-1)(5-4)
KT 2062	10 Amp.	ON (2-3) (5-6)	OFF	ON (2-1)(5-4)
KT 2562	15 Amp.	ON (2-3) (5-6)	OFF	ON (2-1)(5-4)
KT 2063	10 Amp.	ON (2-3) (5-6)	--	ON (2-1)(5-4)*
KT 2064	10 Amp.	ON (2-3) (5-6)	OFF	ON (2-1)(5-4)*
KT 2065	10 Amp.	ON* (2-3) (5-6)	OFF	ON (2-1)(5-4)*

* Indicates Momentary Contract.
No. in Brackets indicates Pole.

MECHANICAL DATA

Mounting : Centre bush with suitable Nuts & Washer
 Unsealed : Threading 12 mm
 Sealed : Threading 15 mm

Weight : Unsealed Single Pole 30 gms approx
 Double Pole 40 gms approx
 Single Pole : 48 gms (approx)
 Double pole : 55 gms (approx)

Operating force : 3.5 kg (max)

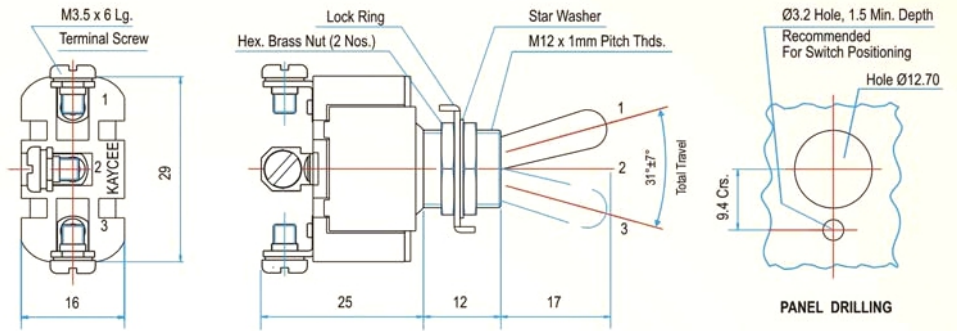
Range : Position 2 and 3 Poles Single & Double Mounting
 Unsealed 12 mm centre bush
 Mounting sealed 15 mm centre bush

Terminals : Screw Solder & push on
 Switching circuits large variety with stay put and momentary contacts

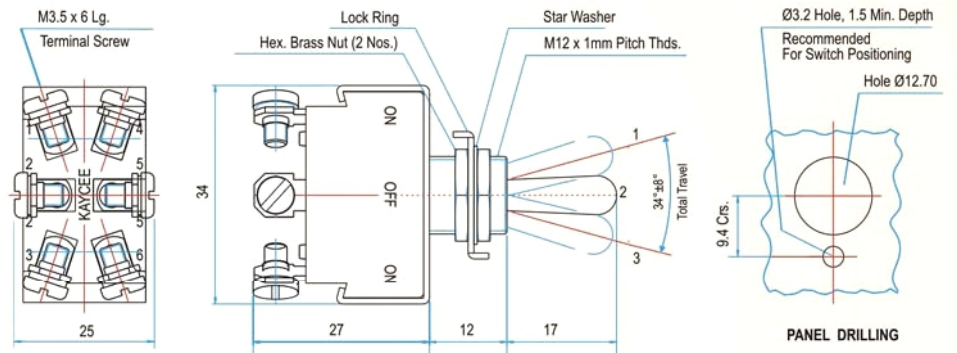
Suffix for unsealed and Panel sealed toggle switches

Type of Terminals Sealed	Unsealed	Panel
Solder Screw	AY BY	AYZ BYZ

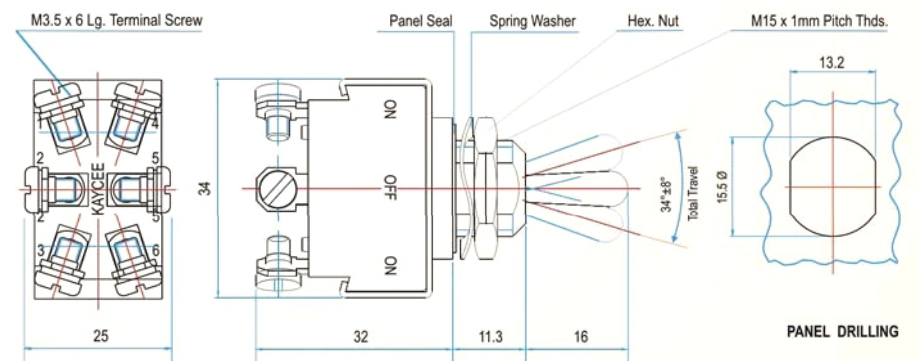
SINGLE POLE UNSEALED



DOUBLE POLE UNSEALED



SINGLE / DOUBLE POLE PANEL SEALED



Product improvement being a continues process at KAYCEE
 Product supplied may differ from that illustrate and described in the literature.



Manufactured by :

KAYCEE INDUSTRIES LIMITED

32, Ramjibhai Kamani Road, Ballard Estate, Mumbai - 400 001

Tel.: 91-22-22613521 / 22 / 23 / 22616106

Email : sales@kayceeindustries.com

Website : www.kayceeindustries.com

