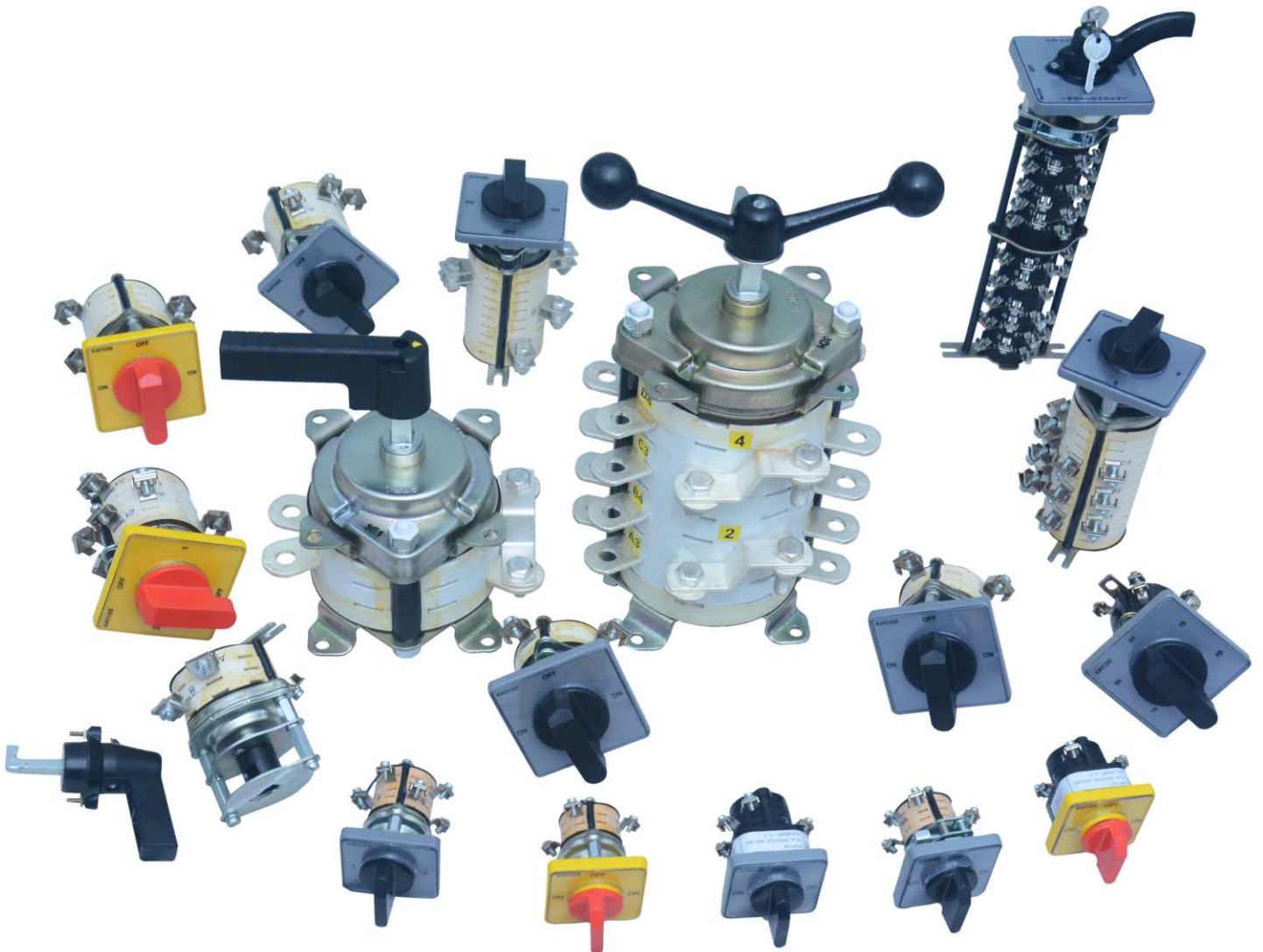


Kaycee for Commitment...
Kaycee for Quality...



KAYCEE
Brand that set the standards

ROTARY SWITCHES





GENERAL INFORMATION

Kaycee Rotary Switches are manufactured in accordance with the latest engineering practices. These are guaranteed for optimum performance and meet the arduous industrial applications. Designed for ON LOAD Switching, Kaycee Rotary Switches are hand operated, assembled on packet principle giving choice of multiposition and multipole circuits.

Kaycee Rotary Switches are used for Making - Breaking and isolation of power circuits and switching of auxiliary circuits. Kaycee Rotary Switches conform to Defence and various relevant specifications. The present range covers standard Rotary Switches up to 600 amps. / 440 volts. AC or AC/DC Switching.

Switches for custom built switching to control complex circuits are supplied against specific requirements.

All designs, dimensions, specifications listed in the catalogue are subject to change without notice.

GUARANTEE

Kaycee Rotary Switches are guaranteed against manufacturing defects and / or faulty workmanship. This guarantee is restricted only to the repair or replacement of defective switches reported on receipt and not misused and / or damaged.

RATING :

10A,16A,25A,40A,63A, 80A,100A,200A,300A, 400A,500A,600A AC&DC

SPECIFICATION :

Conforms to IEC 60947 PART I & Part III /2012

ELECTRICAL DATA :

Continues Current 10A,16A,25A,40A,63A, 80A,100A,200A,300A, 400A,500A,600A AC&DC

Operational voltage :

250V & 440V For AC AND For DC 130V & 250V

High Voltage Test :

2.1 KV (R.M.S) Up to 300A

2.7 KV (R.M.S) Above 300A

Ambient Temperature : 50°C

Frequency of operation : 240 cycles / hours

Mechanical Life : 50,000 operations

Electrical Life : 10,000 operations

Short Time withstand Current

Short Time Making & Breaking

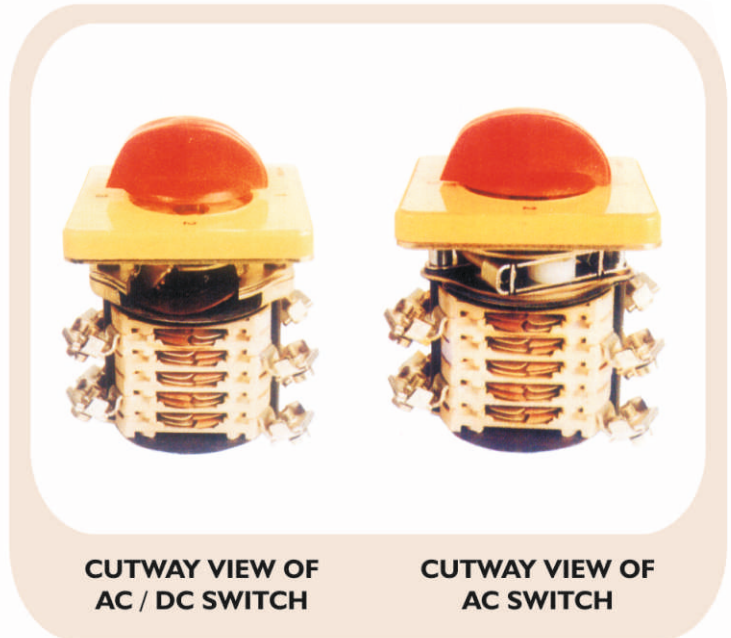
Current.

IP TEST : IP 55 Up to 63Amp

MECHANICAL DATA : Technical Information

Range

Kaycee Rotary switches are manufactured in the following range : 4 - Positions 90° operation 10, 16, 25, 40, 63, 80, 100, 200, 300, 400, 500, & 600 Amperes AC & DC. 6 - Positions 60° Operation 10,16, and 25 Amp AC Only. 8 - Positions 45° Operation 16 Amperes AC only.



Above current ratings are based on voltage of 250 or 440 for AC or AC/DC Switching. Switches for higher voltages are offered against specific applications.

Construction

Mechanism : Kaycee Rotary switches are manufactured with two type of Operating mechanism a) Slow Break - Principally for AC switching only. B) Quick make break - Principally for DC switching. Also for AC when easy and quick action is necessary.

Note : 1) 100 - 600 ampere range is supplied with quick make break mechanism only. 2) 6 - 8 position range is supplied with slow break mechanism only. I.e not recommended for DC switching. 3) In quick make break mechanism the making and breaking of contacts is independent of the operators action. There is no direct connection between the operating handle and the moving contacts.

Specifications :

Kaycee Rotary Switches comply with British and Indian Standard Specification mentioned as : Switches up to 600 Amperes BSEN 60947 -3 /1992 IS 13947 (Part I and Part III) 1993 RCS 156 JSS 51208 Switches 100 - 600 Amperes BSEN 60947 - 3 /1992 IS 13947 (Part I and Part III) 1993

Mounting Arrangements

Kaycee Rotary Switches are supplied with the following standard Mountings :

- a) Flush the back of panel
- b) Flush at the front of panel (base mounting)
- c) Universal mounting - Base and panel

Blocked Positions : Rotary Switches are also supplied with unwanted positions blocked when specified.

Optional Accessories : A wide range of optional accessories are available. These include : handles - indicating plates - Centre key locks - cubicle door interlocks (lockable & non lockable type)

Special Applications : The Versatile Kaycee Rotary Switches offer design flexibility that makes complex switching combinations possible. Offers are made against specific requirements, make before break contacts etc.

CE approved

CODING SYSTEM

CODIFICATION:

The Rotary Switches consist of index letters and figures grouped in sequence to indicate the salient features of the switch.

A) Prefix Letters : S - Indicates AC only - slow break quick make mechanism, and absence of 'V' indicates a universal type AC/DC. A quick make and quick break mechanism indicates AC/DC only.

B) The next group of letters - indicates the method of mounting :

RP - Back of panel flush mounting (terminals screws accessible from the back)

BC - Front of panel Base mounting (terminal screws accessible from the front)

X - Universal mounting for 10 - 63 AMP and 100 AMP Light duty switches.

M - Indicates switch for three phase -440 volts 16 Amps & above.

C - Universal mounting for 100 Amps & above.

C) The next group of figures :

The first figure indicates the following current rating upto and including 63A. The first figure is followed by Zero for rating of 100 amps and above.

1 -10 or 16 Amps.	2- 25 Amps.	3- 40 Amps.
6 - 63 Amps.	8- 80 Amps.	10- 100 Amps.
20 - 200 Amps.	30- 300 Amps	40- 400 Amps.
50 - 500 Amps.	60- 600 Amps.	

The following second figure (or a pair of figures) indicates the number of poles in the switch.

The last figure (or pair of figures) indicates the number of discs in the switch barrel assembly.

D) Suffix Letters :

Indicates switching sequence. Note : ON/OFF switches have no suffix letters.

(I) Rotary Switches:

A - 2 way no off.	B - 2 way with off
C - 3 way with off	D - 4 way no off

After the second figure

E - 5 way with off	F - 6 way no off
G - 7 way with off	H - 8 way no off

(II) Control

BX - 34- Star delta starting with off
AB - 65 -Two speeds with off (High or Low)
K - Reversing, or polarity change over with off.

E) Special Codes :

RK - Removable knob
VS - Voltmeter selector switch
MA60 - Ammeter selector switch
PC - Speed control switch
MB - Make before break contact
RM - Reversible mechanism (spring return)
PD - Pad locking

F) Code for Locking Attachment:

(1) Centre Key lock assembly (with different keys or common keys)

L - Lever type lock
T - Tee type lock

Code Ref.	G1	G2	G3	G4
Locking position & key removable	1	2	3	4
Code Ref.	G12	G13	G24	G
Locking position & key removable	1 & 2	1 & 3	2 & 4	All

NOTE:

100 to 600 Amp Heavy Duty Switches are supplied with Metallic I. P

(2) Cubicle door interlock

(a) Lockable type (with different keys or common keys)

L- Levertype lock

T- Tee type lock

Code Ref.	HR1	Hr2	HR3	HR4
------------------	-----	-----	-----	-----

Position in

which lock	1	2	3	4
------------	---	---	---	---

dis - engages

Code Ref.	HR12	HR13	HR24	HR
------------------	------	------	------	----

Position in

which lock	1 & 2	1 & 3	2 & 4	All
------------	-------	-------	-------	-----

dis - engages

(b) Non Lockable Type

L - Levertype handle

C - Capstan type handle

K- Knob type handle.

Code Ref.	SH1	SH2	SH3	SH4
------------------	-----	-----	-----	-----

Handle

dis-engages in positions.	1	2	3	4
---------------------------	---	---	---	---

Code Ref.	SH13	SH24
------------------	------	------

Handle

dis-engages in positions.	1 & 3	2 & 4
---------------------------	-------	-------

G) Code for indicating plates for 10,16, 25, 40, 63, 80 & 100 Amperes Light Duty only.

GB - Grey flush plate with transparent indicating plate and black knob.
YR - Yellow flush plate with transparent indicating plate and red knob.
GC- Grey flush plate with transparent indicating plate and chrome plated lockable handle.
G - Grey flush plate with transparent indicating plate.
Y- Yellow flush plate with transparent indicating plate.

H) Limiting Mechanism : Switching movement can be limited to two or more positions and blocked between any adjacent position.

(a) Code Ref. - for 4 position switch

TA - Indicates switch limited to 3 operating positions.
TB - Indicates switch limited to 2 operating positions.
TC - Indicates switch limited to between normal positions.

(b) Code Ref. - For 6 position switch

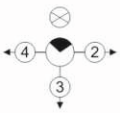
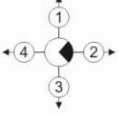
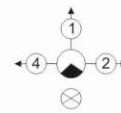
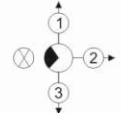
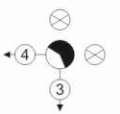
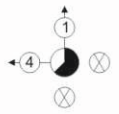
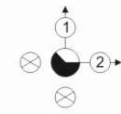
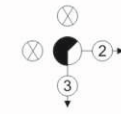
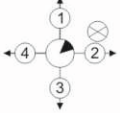
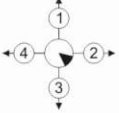
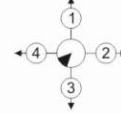
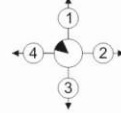
TE - Indicates switch 5 operating positions.

Example : SRP 1817A/ MB/TB3/ LG1 / GC




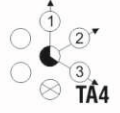
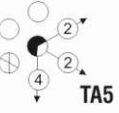
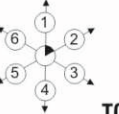
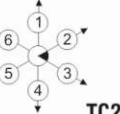
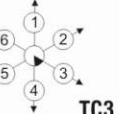
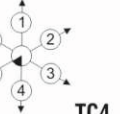
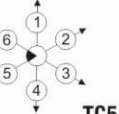
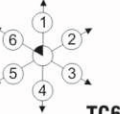
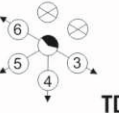
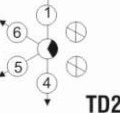
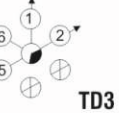
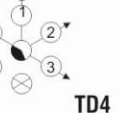
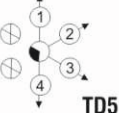
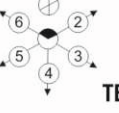
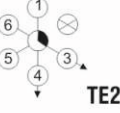
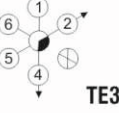
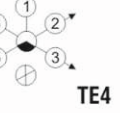
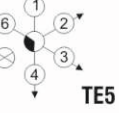
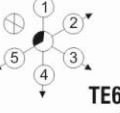
Explanation:

S - indicates AC only	RP - back of panel flush mounting
1 - Rating, 10 amps.	8 - No. of poles
17 - No. of discs	A - Two way without off
MB - Make before break contact	TB3 - Blocked in 3rd & 4th position
LG1 - Levertype lock, lockable in position 1	
GC- Grey flush plate with transparent indicating plate and chrome plated lockable handle.	

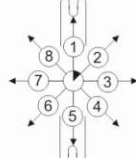
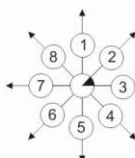
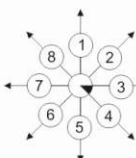
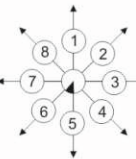
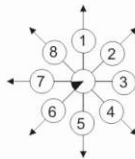
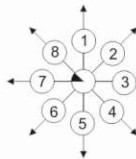
CODING FOR LIMITED POSITION SWITCHES 90° SWITCHING

3 POSITION SWITCH CODE TA	 TA1	 TA2	 TA3	 TA4
2 POSITION SWITCH CODE TB	 TB1	 TB2	 TB3	 TB4
BETWEEN POSITIONS LIMITING MECHANISM CODE TC	 TC1	 TC2	 TC3	 TC4

CODING FOR LIMITED POSITION SWITCHES 60° SWITCHING

3 POSITION SWITCH CODE TA	 TA1	 TA2	 TA3	 TA4	 TA5	
BETWEEN POSITION LIMITING MECHANISM CODE TC	 TC1	 TC2	 TC3	 TC4	 TC5	 TC6
4 POSITION SWITCH CODE TD	 TD1	 TD2	 TD3	 TD4	 TD5	
5 POSITION SWITCH CODE TE	 TE1	 TE2	 TE3	 TE4	 TE5	 TE6

CODING FOR LIMITED POSITION SWITCHES 45° SWITCHING

BETWEEN POSITION LIMITING MECHANISM CODE TC	 TC1	 TC2	 TC3
	 TC5	 TC6	 TC7

ROTARY SWITCHES

10-16-25- Amperes 6 & 8 Position

Rotary Switches of 10,16 and 25ampere, 4 positions, listed on next page are with standard switching sequences up to 4 poles. Multi - pole switches are offered on request.

TYPE : Open execution without any enclosure.

DESIGN : Air break wiping contacts (Double Break) silver plated, self aligning.

RATING : 10 - 16 - 25 Ampere for working voltage of 250 or 440V AC or AC/DC Switching

Mechanism : Slow break principally for AC switching only .Quick make break - Principally for DC switching .Also for AC when easy and quick action is necessary.

Mounting: For Switches flush at the back of the panel mounting specify SRP or SRPM for AC and RP or RPM for AC/DC for switches Flush at the front of panel mounting specify SBC or SBCM for AC and BC or BCM for AC/DC.

Operating Handle :

Knob (wing type) of black colour/ red colour

Optional Accessories :

A Selection of accessories and attachments from a wide variety is available. Viz. Handles, Detachable Handles indicating plates, Centre key locks, Cubicle door interlocks, Lockable- Non Lockable, Pad Locking etc. Details available on request. It is recommended that switches with large built up should have lever handle & Lockable Switches with large built should have LG Lock.

Standard Switching Combination

Suitable for Mounting Flush at the Back of panel

Three Phase - 250Volts (1 & 2 Poles) Three Phase - 440 Volts (3 Poles & above) (Working Voltage 250 to earth) Rotary Switches of 10,16 and 25ampere, 6 & 8 position, listed are with standard switching sequences up to 3 multiples.

TYPE : Open execution without any enclosure.

Design : Air break contacts (Double break), silver plated, self aligning.

RATING : 10 - 16 - 25 amperes for working voltage of 250 or 440 for AC switching only.

Switching Angle : 6 Position - 60° / 8 Position - 45°



DC WITH LARGE MECHANISM



CENTRE KEY LOCK



DOOR INTERLOCK

INDICATING PLATE



95 X 95 mm
(CKL)



64 x 64 mm



64 x 64 mm



KNOB



LEVER TYPE
HANDLE



SMALL
SHROUDING

ROTARY SWITCHES 10-16-25 Amperes 4-Position 90°


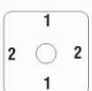



STANDARD SWITCHING COMBINATIONS





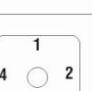
Suitable for Mounting Flush at the Back of Panel

Single Phase - 250 Volts (1 & 2 Poles)

Three Phase - 440 Volts (3 Poles & above)

(Working Voltage 250 to earth)

SWITCHING	NO. OF POLES	10 Amp. AC		16 Amp. AC		25 Amp. AC			
		TYPE	DIM. Y	TYPE	DIM. Y	TYPE	DIM. Y		
OFF-ON 	1	----	----	SRP112	SRPM112	16	SRP213	SRPM213	22
	2	----	----	SRP123	SRPM123	22	SRP225	SRPM225	34
	3	SRP134	28	SRPM134		44	SRP237		68
	4	SRP145	34	SRPM145		52	SRPM249		84
TWO WAY NO OFF A 	1	----	----	SRP113A	SRPM113A	22	SRP213A	SRPM213A	22
	2	----	----	SRP125A	SRPM125A	34	SRP225A	SRPM225A	34
	3	SRP137A	46	SRPM137A		68	SRPM237A		68
	4	SRP149A	58	SRPM149A		84	SRPM249A		84
TWO WAY WITH OFF B 	1	----	----	SRP113B	SRPM113B	22	SRP215B	SRPM215B	34
	2	----	----	SRP125B	SRPM125B	34	SRP229B	SRPM229B	58
	3	SRP137B	46	SRPM137B		68	SRPM2313B		116
	4	SRP149B	58	SRPM149B		84	----		-
THREE WAY WITH OFF C 	1	----	----	SRP113C	SRPM113C	22	SRP215C	SRPM215C	34
	2	----	----	SRP126C	SRPM126C	40	SRP229C	SRPM229C	58
	3	SRP139C	58	SRPM139C		84	SRPM2313C		116
	4	SRP1412C	76	SRPM1412C		108	----		-
FOUR WAY NO OFF D 	1	----	----	SRP113D	SRPM113D	22	SRP215D	SRPM215D	34
	2	----	----	SRP126D	SRPM126D	40	SRP229D	SRPM229D	58
	3	SRP139D	58	SRPM139D		84	SRPM2313D		116
	4	SRP1412D	76	SRPM1412D		108			-

SWITCHING	NO. OF POLES	10 Amp. AC/DC		16 Amp. AC/DC		25 Amp. AC/DC			
		TYPE	DIM. Y	TYPE	DIM. Y	TYPE	DIM. Y		
OFF-ON 	1	----	—	RP112	RPM112	16/28	RP213	RPM213	22/36
	2	----	---	RP123	RPM123	22/36	RP225	RPM225	34/52
	3	RP134	28	RPM134		44	RPM238/LM		76
	4	RP145	34	RPM145		52	RPM2410/LM		92
TWO WAY NO OFF A 	1	----	—	RP113A	RPM113A	22/36	RP213A	RPM213	22/36
	2	----	---	RP125A	RPM125A	34/52	RP225A	RPM225	34/52
	3	RP138A/LM	52	RPM138A/LM		76	RPM238/LM		76
	4	RP1410A/LM	64	RPM1410A/LM		92	RPM2410A/LM		92
TWO WAY WITH OFF B 	1	----	—	RP113B	RPM113B	22/36	RP215B	RPM215B	34/52
	2	----	---	RP125B	RPM125B	34/52	RP2210B/LM	RPM2210B/LM	64/92
	3	RP138B/LM	52	RPM138B/LM		76	RPM2410B/LM		124
	4	RP1410B/LM	64	RPM1410B/LM		92	----		-
THREE WAY WITH OFF C 	1	----	—	RP113C	RPM113C	22/36	RP215C	RPM215C	34/52
	2	----	---	RP126C	RPM126C	46/68	RP2210C/LM	RPM2210C/LM	64/92
	3	RP1310C/LM	64	RPM1310C/LM		92	RPM2314C/LM		124
	4	RP1413C/LM	82	RPM1413C/LM		116	----		-
FOUR WAY NO OFF D 	1	----	----	RP113D	RPM113D	22/36	RP215D	RPM215D	34/52
	2	----	----	RP127D/LM	RPM127D/LM	46/68	RP2210D/LM	RPM2210D/LM	64/92
	3	RP1310D/LM	64	RPM1310D/LM		92	RPM2314D/LM		124
	4	RP1413D/LM	82	RPM1413D/LM		116	----		-

NOTE : Suffix code 'LM' denotes Large Mechanism (40-63 AMP) ● For other dimensions refer separate dimension sheet ● Indicating Plates square size 64 x 64 mm for standard switches and 84 x 84 mm for switches with Locks-Interlocks - Large Mechanism - Lever Type Handle

● Single and Double Pole Switches are rated 250V. If required for 440v - In code add M as shown above. Dimension Y shown correspondingly.

● Add GB in code for switches required with Grey F. P. and Black Knob. Alternatively add YR for Yellow F.P. and Red Knob.

If either codes are not specified, then we shall book order with GB.

SPRING RETURN SWITCHES

SWITCHING	NO. OF POLES	RATING	SWITCH TYPE	DIM 'Y'	FOR OTHER DETAILS REFER DRG. NO.
	2	7.5A/230V AC or 5A/230V DC	RP123R/TA3/PRM/LM	41	SW-C-1631
	2	20A/230V AC or 15A/230V DC	RPM323R/TA3/PRM	35	SW-C-2405
	4	20A/230V AC or 15A/230V DC	RPM345R/TA3/PRM	56	SW-C-2405
	4	40A/230V AC or 30A/230V DC	RPM649R/TA3/PRM	97	SW-C-2405
	1	7.5A/230V AC or 5A/230V DC	SRP113B/TA3/PRM/LM	41	SW-C-1631
	2	7.5A/230V AC or 5A/230V DC	SRP125B/TA3/PRM/LM	57	SW-C-1631
	1	20A/230V AC or 15A/230V DC	RPM343B/TA3/PRM	35	SW-C-2405
	2	20A/230V AC or 15A/230V DC	RPM325B/TA3/PRM	56	SW-C-2405
	3	20A/230V AC or 15A/230V DC	RPM337B/TA3/PRM	76	SW-C-2405
	4	20A/230V AC or 15A/230V DC	RPM349B/TA3/PRM	97	SW-C-2405
	3	20A/230V AC or 15A/230V DC	RPM312/TB3/PRM	25	SW-C-2405
		40A/230V AC or 30A/230V DC	RPM637/TB3/PRM	76	SW-C-2405

NOTE : Switches with other sequence on request.

MOTOR CONTROL SWITCHES

ON LOAD SWITCHES

as per IS / IEC 60947 (Part I & Part III) 1993, AC - 23A & 23B

Nominal Current Rating in Amps.	Switch type for T.P. Panel Mounting	Mechanism	H. P. Rating At 415 VOLTS
16*	SRPM134	SBQM	07.5
16	RPM134	QMB	10
25*	SRPM237	SBQM	15
40*	SRPM334	SBQM	20
63*(2X40)	SRPM637	SBQM	30
63*(2X40)	RPM637	QMB	50
100*(2X60)	SC10H311	QMB	60
100	SC1034	QMB	80
200	SC2034	QMB	175
300	SC3034	QMB	250
400	SC4037	QMB	270
500	SC5037	QMB	300
600	SC6037	QMB	300

• Add GB in code for switches required with Grey F.P. and Black Knob. Alternatively add YR for Yellow F.P. and Red Knob.

If either codes are not specified, then we shall book order with GB.

SBQM - Slow Break Quick Make Mechanism

QMB - Quick Make and Break Mechanism

RECOMMENDED H.P. RATING OF DC ROTARY SWITCHES as per IS / IEC 60947 (Part I & Part II) 1993, AC - 22A & 22B

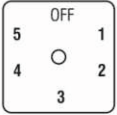
Nominal Current Rating in Amps	Switch type for T.P. Panel Mounting	Mechanism	H. P. Rating		
			AT 110V DC	AT250V DC	AT 460V DC
10	RP134	QMB	1.25	2.5	5
16	RPM134	QMB	2	4	8
25	RPM237	QMB	3	6	12
40	RPM334	QMB	5	10	20
63	RPM637	QMB	10	20	40
100	C1034	QMB	17.5	35	70
200	C2034	QMB	30	60	120
300	C3034	QMB	45	90	180
400	C4037	QMB	55	110	220
500	C5037	QMB	75	150	300
600	C6037	QMB	75	150	300

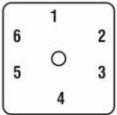
QMB - Quick Make and Break Mechanism

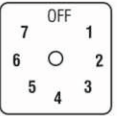
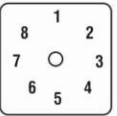
Description	Type	Max. H. P. Rating	Y Dim	Connection Diagram		
Reversing of 3 phase Induction motors	SRP136K	5	40		1 Off	Off
	SRPM136K	7.5	60		2 Forward	1-A, 2-B,3-C
	SRPM336K	17.5	66		3 Off	Off
Star Delta Switching with Off position	SRP1310K	5	64		10 Off	Off
	SRPM1310AK	7.5	92		2 Star	L1-A2, L2-B2, L3-C2
	SRPM1310AK	17.5	103		3 Delta	L1-A2-C1, L2-B2-A1, L3-C2-B1
2 speed Control (Dhalander Switch)	SRP139PC	5	58		1 Off	Off
	SRPM139PC	7.5	84		2 Low speed	L1-A3, L2-B3, L3-C3
	SRPM339PC	17.5	97		Off	Off
					4 High Speed	L1-B2, L2-A2, L3-C2 (A3-B3-C3)

• Add GB in code for switches required with Grey F.P. and Black Knob. Alternatively add YR for Yellow F.P. and Red Knob. If either codes are not specified, then we shall book order with GB.

SWITCHES 6 - POSITION 60° AC ONLY

SWITCHING	NO. OF POLES	16 AMP 250 V	DIM Y	10 AMP 440 V	DIM Y
FIVE WAY WITH OFF 	1	SRPM11E3	36	---	---
	2	SRPM12E6	60	---	---
	3	---	---	---	SRPM13E9
	NO. OF POLES	25 AMP 250 V	DIM Y	16 AMP 440 V	DIM Y
	1	SRPM21E5	52	---	---
	2	SRPM22E10	92	---	---
	3	---	---	SRPM23E15	132

SWITCHING	NO. OF POLES	16 AMP 250V	DIM Y	10 AMP 440 V	DIM Y
SIX WAY NO OFF 	1	SRPM11F3	36	---	---
	2	SRPM12F6	60	---	---
	3	---	---	---	SRPM13F9
	NO. OF POLES	25 AMP 250 V	DIM Y	16 AMP 440 V	DIM Y
	1	SRPM21F5	52	---	---
	2	SRPM22F10	92	---	---
	3	---	---	SRPM23F15	132

SWITCHING	NO. OF POLES	25 AMP 250 V	DIM Y	16 AMP 440 V	DIM Y
SEVEN WAY WITH OFF 	1	SRPM21G4	46	---	---
	2	SRPM22G7	76	---	---
	3	---	---	---	SRPM23G10
EIGHT WAY NO OFF 	1	SRPM21H4	46	---	---
	2	SRPM22H7	76	---	---
	3	---	---	---	SRPM23H12

• Add GB in code for switches required with Grey F.P and Black Knob. Alternatively add YR for Yellow F.P. and Red Knob. If either codes are not specified, then we shall book order with GB.

Instrument selector Switches 10Amp

Specifications : Rotary Switches conform to IS : 60947 (Part I and Part III)

Mechanism : Slow break principally for AC switching only.

Mounting : 6 Position - Universal, 8 Position - Back of Panel

Operating Handle : Knob (wing type) of black colour / red colour

Optional Accessories : A selection of accessories and attachments from a wide variety is available, viz Handle, Detachable Handles Indicating Plates - Details available on request.

Indicating Plates : The size of indicating plates for 6 position & 8 Position in 95mm X 95mm Rotary Selector Switches are suitable for instruments like ammeters , Voltmeters Power factor Meters etc. The design enables to indicate by means of a single meter, the currents or the voltages, Ammeter Selector Switches are provided with make before break contacts to give security against risk of open circuit of the current transformer secondaries. Listed below are standard switches .

TYPE : Open execution without any enclosure.

DESIGN : Air break wiping contacts (Double Break) silver plated, self aligning.

RATING : 10 amperes for working voltage of 250 or 440 for AC Circuits only.

MECHANISM : Slow break principally for AC switching only.

MOUNTING : For Switches flush at the back of panel mounting specify SRP for switches at the front of panel base mounting specify SBC

Operating Handle :
Knob (wing type) of black / red colour

SWITCHING	TYPE	DIM. Y	DIAGRAM	
Current in each phase with OFF 4 positions 90° Indicating plate size 64 X 64 mm		SRP136MA60	40	
Current in each phase and leakage or out of balance current with OFF 6 positions 60° Indicating plate size 88 X 88 mm		SRP1148MF42/S	52	
Current in each phase and neutral and leakage current with OFF 6 positions 60° Indicating plate size 88 X 88 mm		SRP1210MA43/S	64	

VOLTMETER SELECTOR

Voltage between phase and neutral with OFF 4 position 90° Indicating plate size 64 X 64 mm		SRP135VS	34	
Voltage between phase and neutral with OFF 4 position 90° Indicating plate size 64 X 64 mm		SRP115BE18	34	
Voltage between phases and between phase and neutral without OFF 6 positions 60° Indicating plate size 88 X 88 mm		SRP137SV	46	

SPECIAL SELECTOR SWITCHES

With one switch to indicate, with one Ammeter & one Voltmeter. Simultaneous reading of phase current & Voltage between phases with an OFF position. Indicating plate size 64 X 64 mm		SRP1310MB28	64	
4 Pos. Ammeter selector switch Direct in line without 'CT's Indicating plate size 64 X 64 mm		SRP1313ZZF12	82	

- Add GB in code for switches required with Grey F.P. and Black Knob. Alternatively add YR for Yellow F.P. and Red Knob. If either codes are not specified, then we shall book order with GB.

ROTARY SWITCHES 40-63 Amperes 4-Position 90°

Rotary switches of 40 - 63Ampere, 4 position, listed on next page, are with standard switching sequences up to 4 poles. Multi - pole switches are offered on request .

TYPE : Open execution without any enclosure.

Design : Air break wiping contacts (Double break), silver plated, self aligning.

RATING : 40 - 63Ampere for working voltage of 250 or 440 for AC or

AC/DC switching.

Specifications :

Rotary Switches conform to IS : 60947 (Part I and Part III) and also BSS and Defence Specificatio.

Mechanism :

Slow Break- principally for AC switching only. Quick Make Break - Principally for DC switching. Also for AC when easy and quick action is necessary.

Mounting :

For Switches flush at the back of panel mounting specify SRPM for AC or RPM for AC/DC. For switches at the front of panel base mounting specify SBCM for AC or BCM for AC/DC.

Operating Handle : Knob (wing type) of Black/Red Colour

Optional Accessories :

A selection of accessories and attachments from a wide variety is available, viz Handle, Detachable Handles Indicating Plates - Centre key Locks, Cubicle door inter locks, Lockable- Non Lockable Pad Locking ets. Details available on request Standard switching Combinations

Suitable for Mounting Flush at the Back of panel Single Phase 250Vs (1 & 2 Poles) Three Phase 440 Volts (3 Poles & above) (Working Voltage 250 to earth).



PANEL MOUNTING



STANDARD SWITCHING COMBINATIONS

Suitable for Mounting Flush at the Back of Panel

SINGLE PHASE-250 VOLTS (1 & 2 Poles)

THREE PHASE-440 VOLTS (3 Poles & above)

(Working Voltage 250 to earth)

SWITCHING	SWITCHING	SWITCHING	40 AMP. AC		63 AMP. AC	
			TYPE	DIM. Y	TYPE	DIM. Y
OFF-ON		1	SRPM312	25	SRPM613	35
		2	SRPM323	35	SRPM625	56
		3	SRPM334	46	SRPM637	76
		4	SRPM345	56	SRPM649	97
TWO WAY NO OFF		1	SRPM313A	35	SRPM613A	35
		2	SRPM325A	56	SPRM625A	56
		3	SRPM337A	76	SPRM637A	76
		4	SRPM349A	97	SPRM649A	97
A						
TWO WAY WITH OFF		1	SRPM313B	35	SRPM615B	56
		2	SRPM325B	56	SPRM629B	97
		3	SRPM337B	76	SPRM6313B	137
		4	SRPM349B	97	SPRM6417B	177
B						
THREE WAY WITH OFF		1	SRPM313C	35	SRPM615C	56
		2	SRPM326C	66	SPRM629C	97
		3	SRPM339C	97	SPRM6313C	137
		4	SRPM3412C	127	SPRM6417C	177
C						
FOUR WAY NO OFF		1	SRPM313D	35	SRPM615D	56
		2	SRPM326D	66	SPRM629D	97
		3	SRPM339D	97	SPRM6313D	137
		4	SRPM3412D	127	SPRM6417D	177
D						

SWITCHING	SWITCHING	SWITCHING	40 AMP. AC/DC		63 AMP. AC/DC	
			TYPE	DIM. Y	TYPE	DIM. Y
OFF-ON		1	RPM312	25	RPM613	35
		2	RPM323	35	RPM625	56
		3	RPM334	46	RPM637	76
		4	RPM345	56	RPM649	97
TWO WAY NO OFF		1	RPM313A	35	RPM613A	35
		2	RPM325A	56	RPM625A	56
		3	RPM337A	76	RPM637A	76
		4	RPM349A	97	RPM649A	97
A						
TWO WAY WITH OFF		1	RPM313B	35	RPM615B	56
		2	RPM325B	56	RPM629B	97
		3	RPM337B	76	RPM6313B	137
		4	RPM349B	97	---	---
B						
THREE WAY WITH OFF		1	RPM313C	35	RPM615C	56
		2	RPM326C	66	RPM629C	97
		3	RPM339C	97	RPM6313C	137
		4	RPM3412C	127	---	---
C						
FOUR WAY NO OFF		1	RPM313D	35	RPM615D	56
		2	RPM326D	66	RPM629D	97
		3	RPM339D	97	RPM6313D	137
		4	RPM3412D	127	---	---
D						

NOTE : For other dimensions refer separate dimension sheet. |

Indicating plates square size 95 x 95 mm for standard switches & also for switches with Locks & Interlocks.

• Add GB in code for switches required with Grey F.P and Black Knob. Alternatively add YR for Yellow F.P and Red Knob.

If either codes are not specified, then we shall book order with GB.

ROTARY SWITCHES 100-600 Amperes

Rotary switches of 100 - 600 Ampere. 4 Position listed overleaf are with standard switching sequences up to 4 poles. Multi poles switches are offered on request.

TYPE : Open execution without any enclosure.

Design : Air break wiping contacts (Double break), silver plated, self aligning.

RATING : 100, 200, 300, 400,500, and 600 amperes for working voltage of 250 or 440 for AC or AC / Dc switching.

SPECIFICATIONS :

Rotary Switches conform to IS : 60947 (Part I and Part III) and also BSS and Defence Specifications.

MECHANISM :

Universal mounting for base and panel. Specify SC for AC and C for DC.

OPERATING HANDLE :

Lever type metallic handle painted black, for switches up to 3 discs. Above 3 discs all switches are provided with capstan type handle. 1 pp Amp Light duty switches are supplied with black / red knob.

OPTIONAL ACCESSORIES :

A selection of accessories and attachments a wide variety is available, viz. handles, indicating plates, Centre key locks, Cubicle Door Interlocks, Lockable - Non Lockable etc . Details available on request.



100 - 600 A



100 - 600 A



100 AMP. LIGHT DUTY

ACCESSORIES

INDICATING PLATE	
	178 X 178 mm
INDICATING PLATE	
	178 X 178 mm FOR (CKL)

ROTARY SWITCHES 100 Amperes Light Duty 4-Position 90°

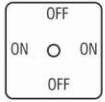
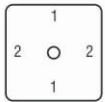
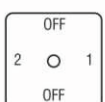
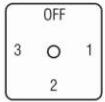
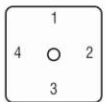
STANDARD SWITCHING COMBINATIONS

Suitable for Mounting Flush at the Back of Panel

SINGLE PHASE-250 VOLTS (1 & 2 Poles)

THREE PHASE-440 VOLTS (3 Poles & above)

(Working Voltage 250 to earth)

SWITCHING	NO. OF POLES	100 AMP. AC TYPE	DIM. Y
OFF-ON 	1 2 3 4	SC101H4 SC102H6 SC103H11 SC104H14	46 66 117 147
TWO WAY NO OFF A 	1 2 3	SC101H7A SC102H11A SC103H15A	76 117 157
TWO WAY WITH OFF B 	1 2 3	SC101H7B SC102H11B SC103H15B	76 117 157
THREE WAY WITH OFF C 	1 2 3	SC101H7C SC102H11C SC103H15C	76 117 157
FOUR WAY NO OFF D 	1 2 3	SC101H7D SC102H11D SC103H15D	76 117 157

NOTE : For other dimensions refer separate dimension sheet. |

Indicating plates square size 95 x 95 mm for standard switches & also for switches with Locks & Interlocks.

• Add GB in code for switches required with Grey F.P. and Black Knob. Alternatively add YR for Yellow F.P. and Red Knob.

If either codes are not specified, then we shall book order with GB.

ROTARY SWITCHES 100-600 AMPS. 4-POSITION 90°

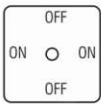
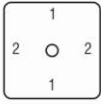
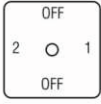
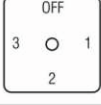
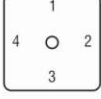
STANDARD SWITCHING COMBINATIONS

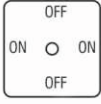
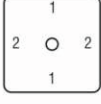
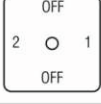
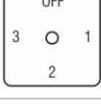
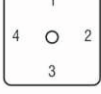
Suitable for Universal Mounting (Base and Panel)

SINGLE / THREE PHASE - 440 VOLTS

(Working Voltage 250 to earth)

Normal

SWITCHING	NO. OF POLES	100 AMP. AC	200 AMP. AC	300 AMP. AC	DIM. Y
		TYPE	TYPE	TYPE	
OFF-ON 	1	SC1012	SC2012	SC3012	46
	2	SC1023	SC2023	SC3023	68
	3	SC1034	SC2034	SC3034	91
	4	SC1045	SC2045	SC3045	113
TWO WAY NO OFF A 	1	SC1013A	SC2013A	SC3013A	68
	2	SC1025A	SC2025A	SC3025A	113
	3	SC1037A	SC2037A	SC3037A	158
	4	SC1049A	SC2049A	SC3049A	203
TWO WAY WITH OFF B 	1	SC1013B	SC2013B	SC3013B	68
	2	SC1025B	SC2025B	SC3025B	113
	3	SC1037B	SC2037B	SC3037B	158
	4	SC1049B	SC2049B	SC3049B	203
THREE WAY WITH OFF C 	1	SC1013C	SC2013C	SC3013C	68
	2	SC1025C	SC2025C	SC3025C	113
	3	SC1037C	SC2037C	SC3037C	158
	4	SC1049C	SC2049C	SC3049C	203
FOUR WAY NO OFF D 	1	SC1013D	SC2013D	SC3013D	68
	2	SC1025D	SC2025D	SC3025D	113
	3	SC1037D	SC2037D	SC3037D	158
	4	SC1049D	SC2049D	SC3049D	203

SWITCHING	NO. OF POLES	100 AMP. AC/DC	200 AMP. AC/DC	300 AMP. AC/DC	DIM. Y
		TYPE	TYPE	TYPE	
OFF-ON 	1	C1012	C2012	C3012	46
	2	C1023	C2023	C3023	68
	3	C1034	C2034	C3034	91
	4	C1045	C2045	C3045	113
TWO WAY NO OFF A 	1	C1013A	C2013A	C3013A	68
	2	C1025A	C2025A	C3025A	113
	3	C1037A	C2037A	C3037A	158
	4	C1049A	C2049A	C3049A	203
TWO WAY WITH OFF B 	1	C1013B	C2013B	C3013B	68
	2	C1025B	C2025B	C3025B	113
	3	C1037B	C2037B	C3037B	158
	4	C1049B	C2049B	C3049B	203
THREE WAY WITH OFF C 	1	C1013C	C2013C	C3013C	68
	2	C1025C	C2025C	C3025C	113
	3	C1037C	C2037C	C3037C	158
	4	C1049C	C2049C	C3049C	203
FOUR WAY NO OFF D 	1	C1013D	C2013D	C3013D	68
	2	C1025D	C2025D	C3025D	113
	3	C1037D	C2037D	C3037D	158
	4	C1049D	C2049D	C3049D	203

NOTE : For other dimensions refer separate dimension sheet. |

Indicating plates square size 178 x 178 mm of Metal for standard switches & also for switches with Locks & Interlocks.

ROTARY SWITCHES

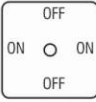
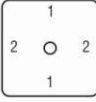
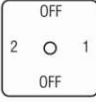

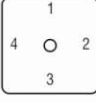
400-500-600 AMPERS 4-Position 90

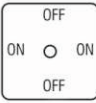
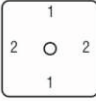
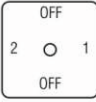

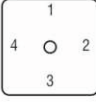
STANDARD SWITCHING COMBINATIONS

Suitable for Universal Mounting (Base and Panel)

SINGLE / THREE PHASE - 440 VOLTS

(Working Voltage 250 to earth)

SWITCHING	NO. OF POLES	400 AMP. AC	500 AMP. AC	600 AMP. AC	DIM. Y
		TYPE	TYPE	TYPE	
OFF-ON 	1	SC4013	SC5013	SC6013	68
	2	SC4025	SC5025	SC6025	113
	3	SC4037	SC5037	SC6037	158
	4	SC4049	SC5049	SC6049	203
TWO WAY NO OFF A 	1	SC4015A	SC5015A	SC6015A	113
	2	SC4029A	SC5029A	SC6029A	203
	3	SC40313A	SC50313A	SC60313A	292
	4	----	----	----	----
TWO WAY WITH OFF B 	1	SC4015B	SC5015B	SC6015B	113
	2	SC4029B	SC5029B	SC6029B	203
	3	SC40313B	SC50313B	SC60313B	292
	4	SC40413B/TA3	SC50413B/TA3	SC60413B/TA3	292
THREE WAY WITH OFF C 	1	SC4015C	SC5015C	SC6015C	113
	2	SC4029C	SC5029C	SC6029C	203
	3	SC40313C	SC50313C	SC60313C	292
	4	----	----	----	----
FOUR WAY NO OFF D 	1	SC4015D	SC5015D	SC6015D	113
	2	SC4029D	SC5029D	SC6029D	203
	3	SC40313D	SC50313D	SC60313D	292
	4	----	----	----	----

SWITCHING	NO. OF POLES	400 AMP. AC/DC	500 AMP. AC/DC	600 AMP. AC/DC	DIM. Y
		TYPE	TYPE	TYPE	
OFF-ON 	1	C4013	C5013	C6013	68
	2	C4025	C5025	C6025	113
	3	C4037	C5037	C6037	158
	4	C4049	C5049	C6049	203
TWO WAY NO OFF A 	1	C4015A	C5015A	C6015A	113
	2	C4029A	C5029A	C6029A	203
	3	C40313A	C50313A	C60313A	292
	4	----	----	----	----
TWO WAY WITH OFF B 	1	C4015B	C5015B	C6015B	113
	2	C4029B	C5029B	C6029B	203
	3	C40313B	C50313B	C60313B	292
	4	C40413B/TA3	C50413B/TA3	C60413B/TA3	292
THREE WAY WITH OFF C 	1	C4015C	C5015C	C6015C	113
	2	C4029C	C5029C	C6029C	203
	3	C40413C	C50313C	C60313C	292
	4	----	----	----	----
FOUR WAY NO OFF D 	1	C4015D	C5015D	C6015D	113
	2	C4029D	C5029D	C6029D	203
	3	C40413D	C50313D	C60313D	292
	4	----	----	----	----

NOTE : For other dimensions refer separate dimension sheet. |

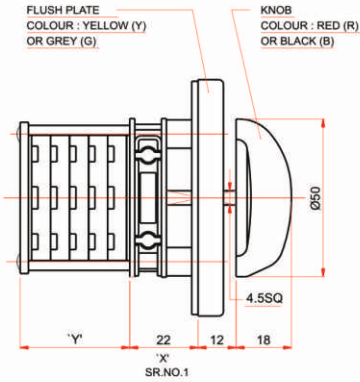
Indicating plates square size 178 x 178 mm of Metal for standard switches & also for switches with Locks & Interlocks.

ROTARY SWITCHES 10-16-25 AMP. 4-POSITION 90°

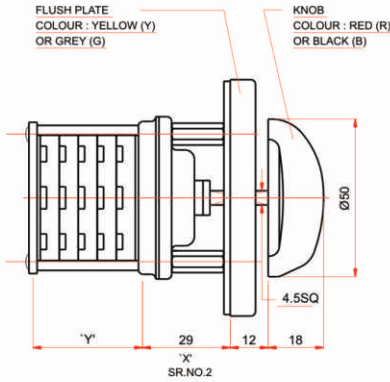
Sr. No.	Type of mounting	AC / DC	Dimension 'X' Max	
			4 Pos. Switch	Switch with Blocked Pos.
1&7	Panel	AC	22	28
2&8	Panel	DC	29	38
3	Base	AC	12	18
4	Base	DC	22	29
5	Small Frame with large AC Mechanism	AC	18	24
6	Small Frame with large DC Mechanism	DC	36	46

ALL DIMENSIONS IN mm UNLESS OTHERWISE STATED

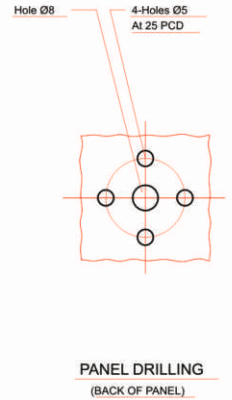
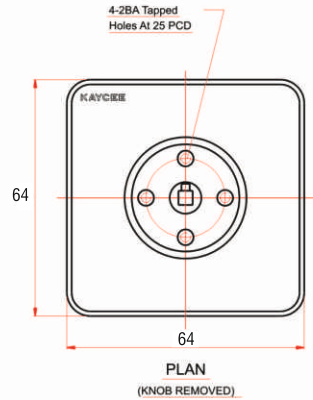
AC



DC



PANEL MOUNTING

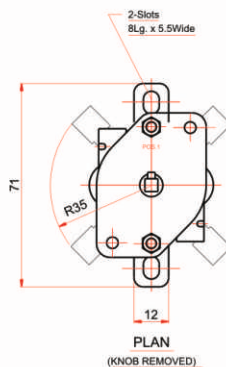
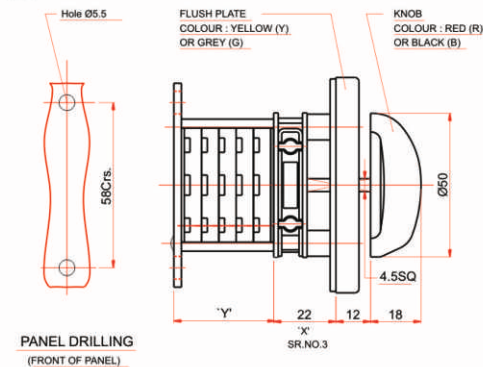


DRG. NO. SW - C. 1603

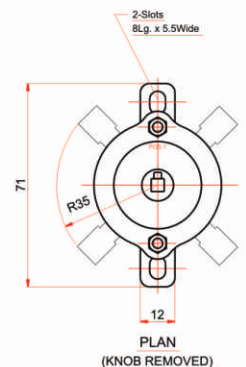
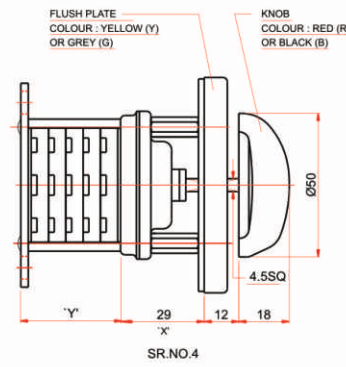
DRG. NO. SW - C. 1604

BASE MOUNTING

AC



DC

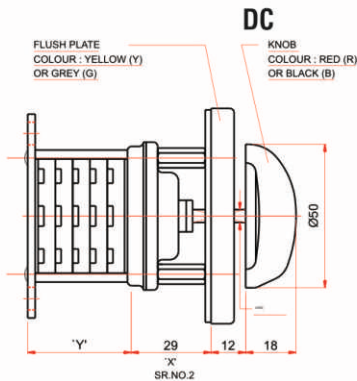
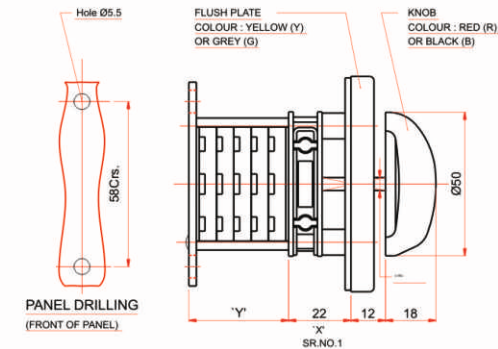


DRG. NO. SW - C. 1641

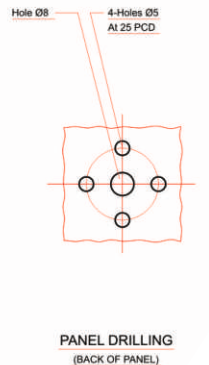
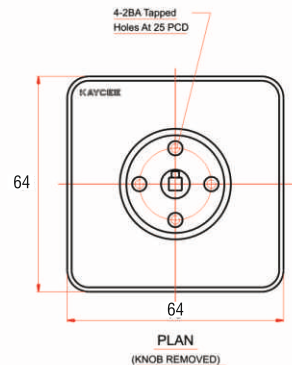
DRG. NO. SW - C. 1642

SMALL UNIVERSAL MOUNTING

AC



DC

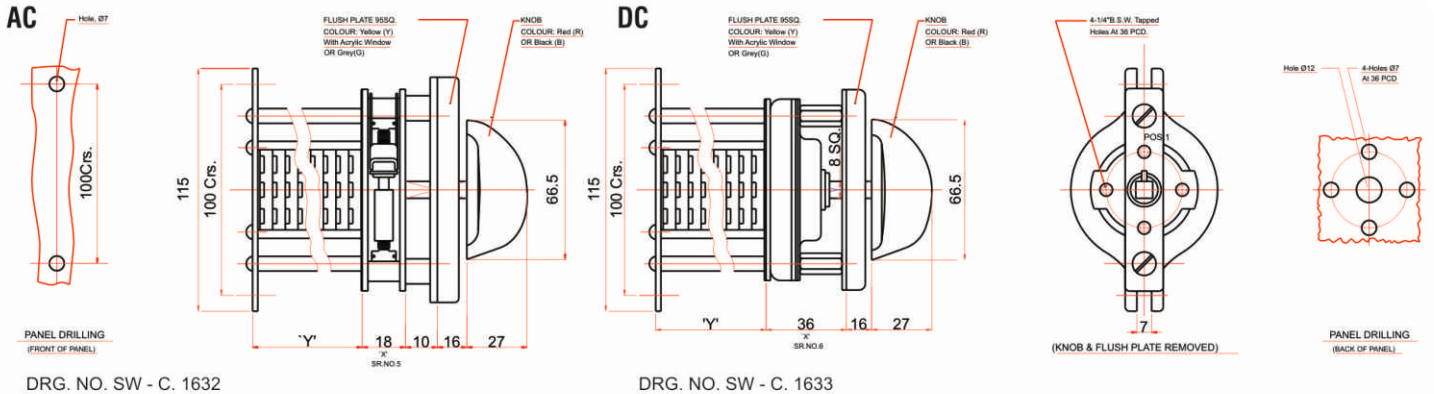


DRG. NO. SW - C. 1646

DRG. NO. SW - C. 1647

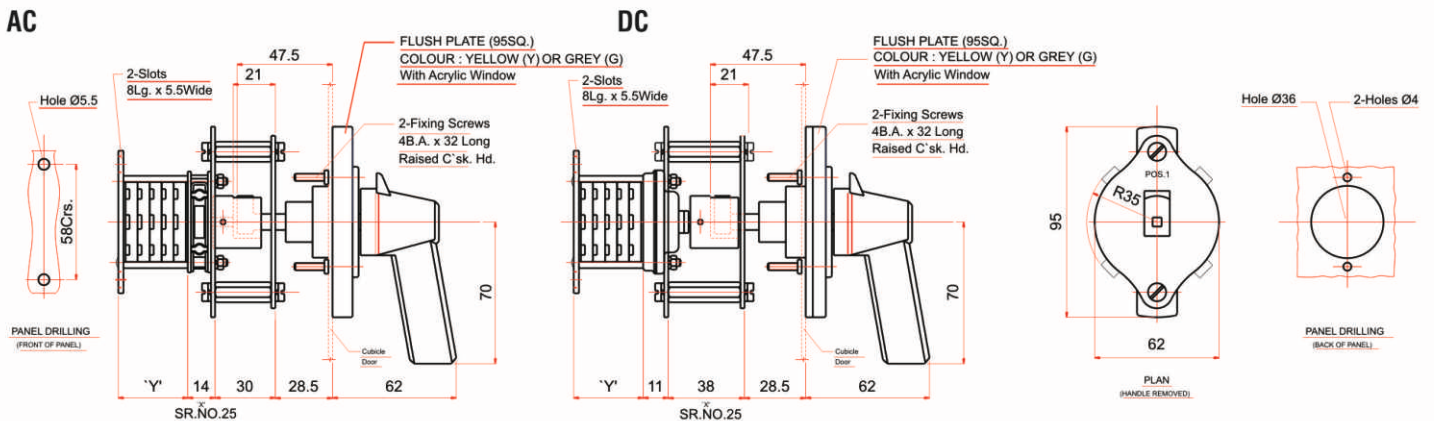
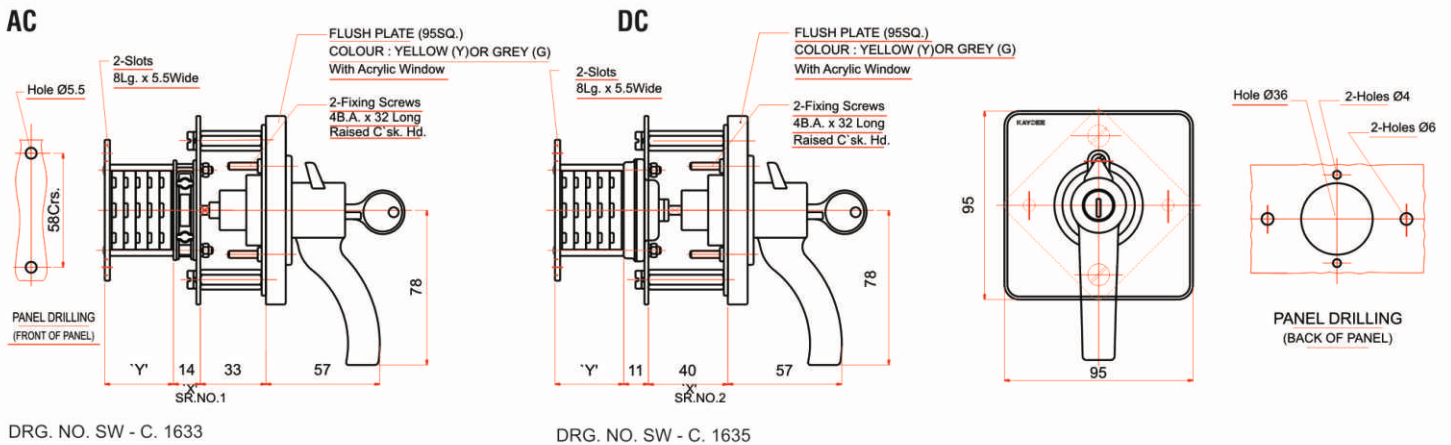
SMALL FRAME WITH LARGE MACHINISM (LMX)

ALL DIMENSIONS IN mm
 UNLESS OTHERWISE STATED



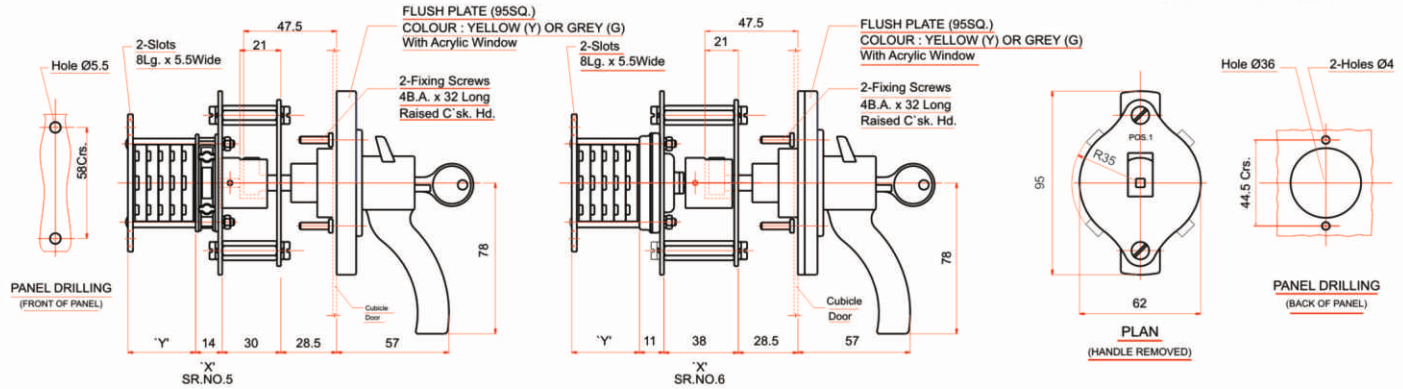
Sr. No.	Type of mounting	AC / DC	Dimension "X" Max	
			4 Pos. Switch	Switch with Blocked Pos.
1	Panel	AC	14	20
2	Panel	DC	40	53
3	Door Interlock non lockable	AC	14	20
4	- d0 -	DC	38	50
5	Door Interlock Lockable	AC	14	20
6	- do -	DC	38	50

CENTRE KEY LOCK



CUBICLE DOOR INTERLOCK (LOCKABLE)

ALL DIMENSIONS IN mm
UNLESS OTHERWISE STATED

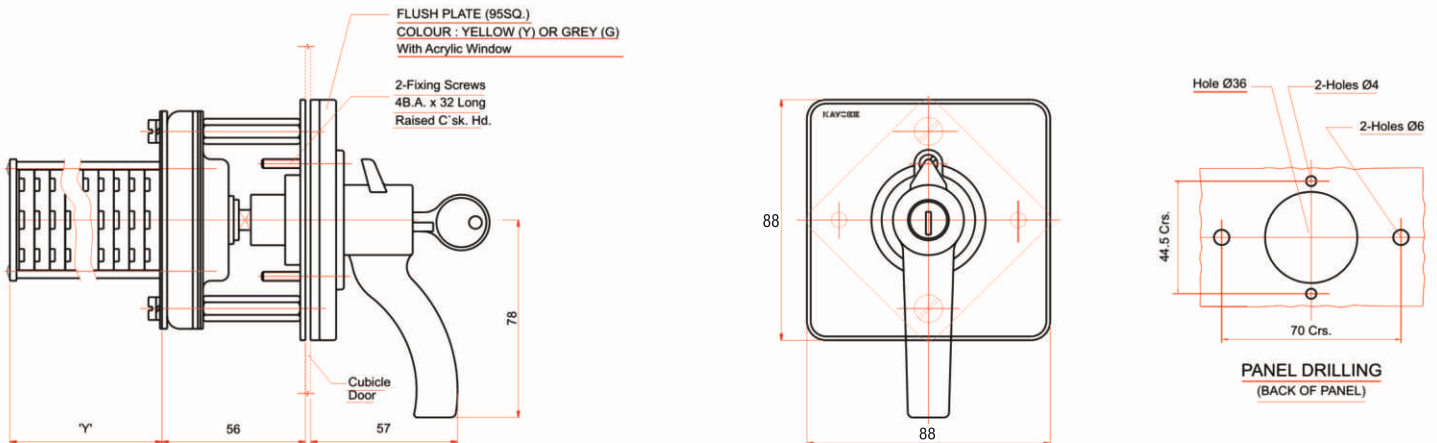


DRG. NO. SW - C. 1765
OLD DRG. NO. SW - C. 1638

DRG. NO. SW - C. 1766
OLD DRG. NO. SW - C. 1639

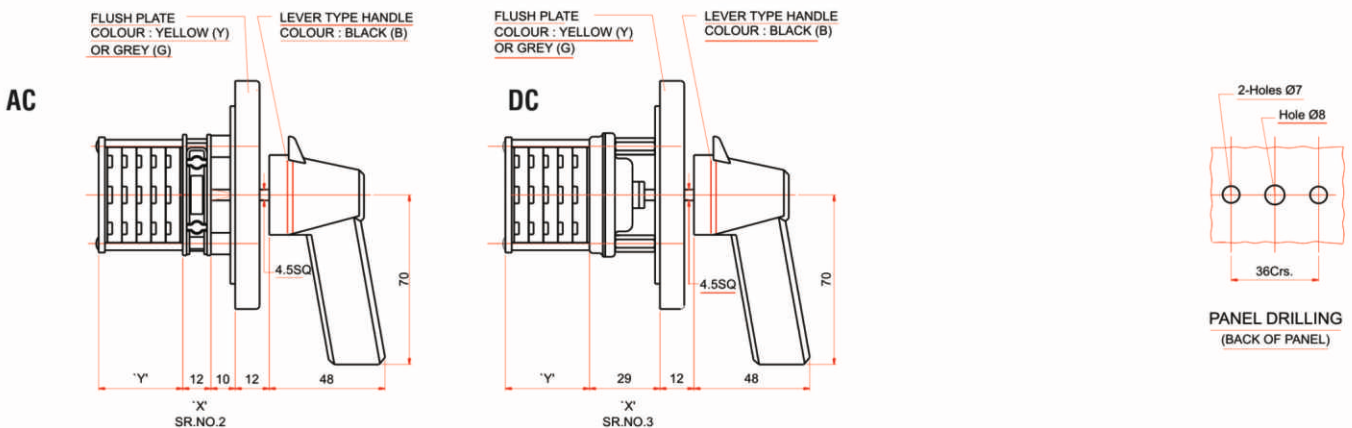
Sr. No.	Type of mounting	AC / DC	Dimension "X" Max	
			4 Pos. Switch	Switch with Blocked Pos.
1	Panel Small Frame with Large Mechanism	DC	56	68
2	Panel	AC	12	18
3	Panel	DC	29	38
4	Panel Small Frame with Large Mechanism	DC	38	48

SMALL SWITCH WITH LARGE DC MECHANISM WITH CENTRE KEY LOCK ASSEMBLY WITH LEVER TYPE HANDLE (LG) 'LM' TYPE



DRG. NO. SW - C. 1767
OLD DRG. NO. SW - C. 1640

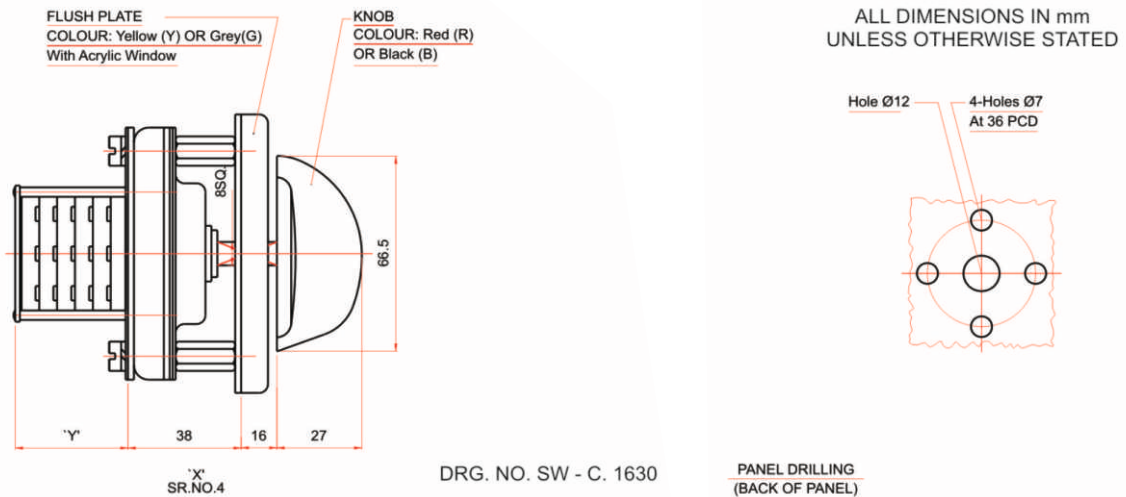
SWITCH WITH LEVER TYPE HANDLE



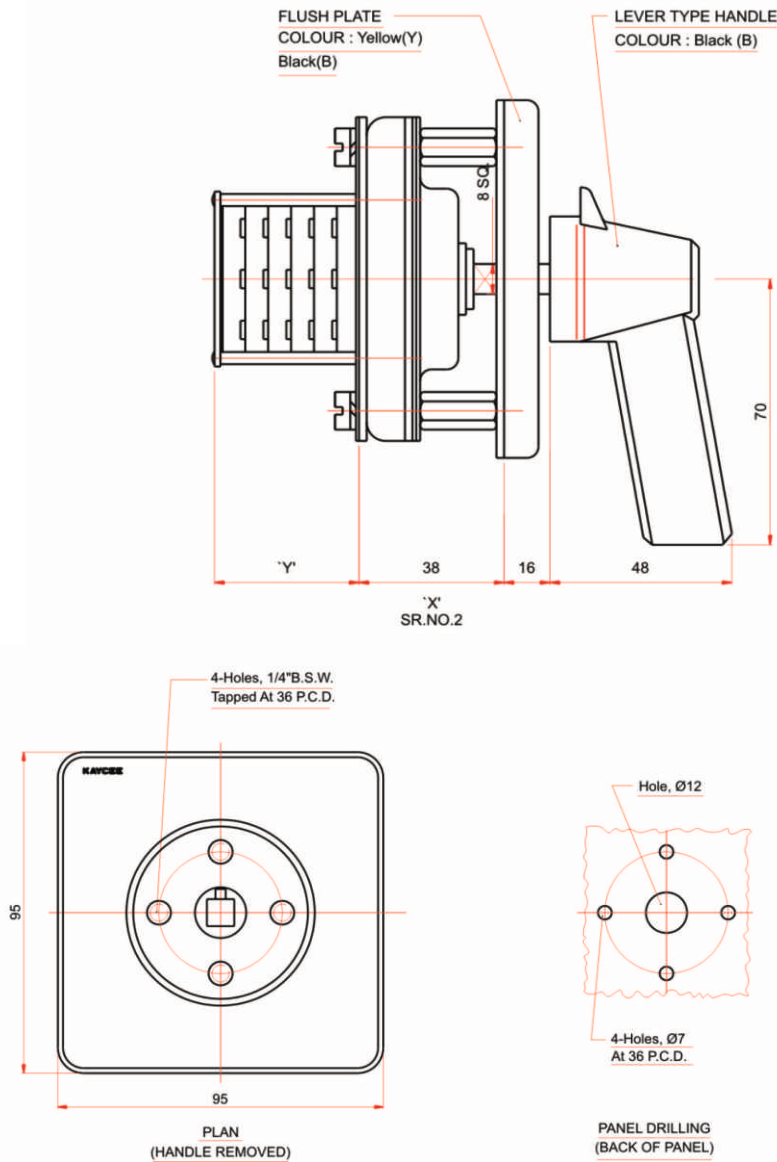
DRG. NO. SW - C. 1758
OLD DRG. NO. SW - C. 1627

DRG. NO. SW - C. 1759
OLD DRG. NO. SW - C. 1628

LARGE MECHANISM (LM) FOR DC SWITCH



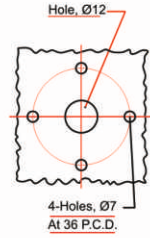
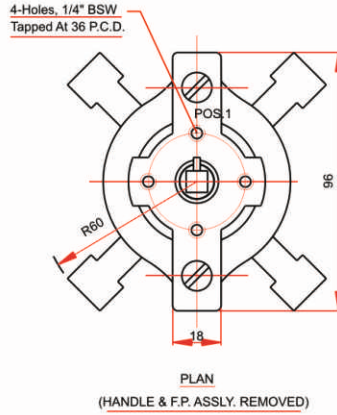
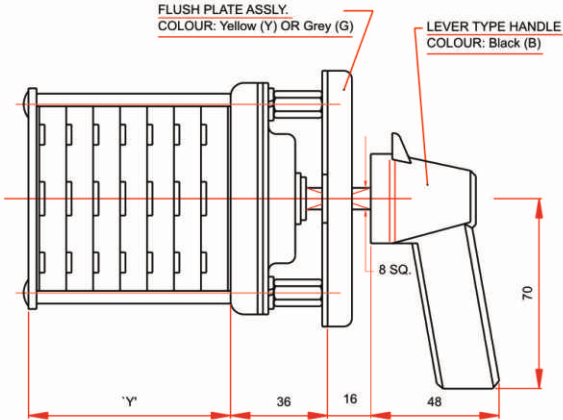
SMALL SWITCH WITH LARGE DC MECHANISM WITH LEVER TYPE HANDLE (RM TYPE)



DRG. NO. SW - C. 1760
 OLD DRG. NO. SW - C. 1631

LARGE SWITCH WITH LEVER TYPE HANDLE ('RM' TYPE)

ALL DIMENSIONS IN mm
UNLESS OTHERWISE STATED

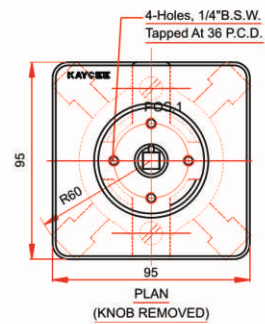
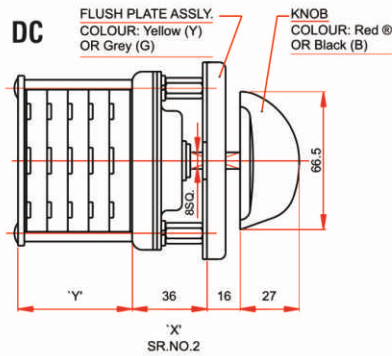
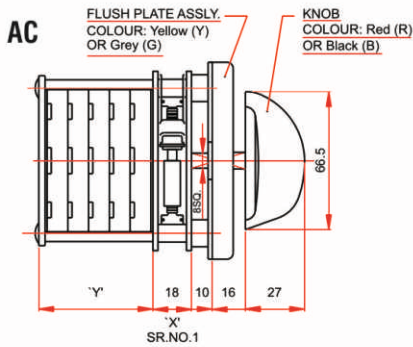


DRG. NO. SW - C. 2405
OLD DRG. NO. SW - C. 2094

Sr. No.	Type of mounting	AC / DC	Dimension 'X' Max.	
			4 Pos. Switch	Switch with Blocked Pos.
1	Panel	Large AC	18	24
2	Panel	Large DC	36	46
3	Base	Large AC	18	24
4	Base	Large DC	27	36
5	Universal 6 Pos	AC	27	27
6	Universal 8 Pos	AC	18	24

40-63 AMP. 4 POSITION - 90°

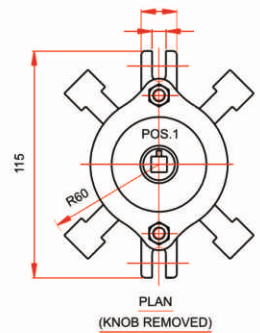
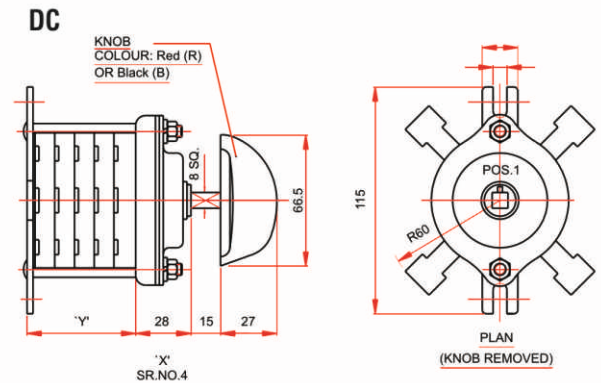
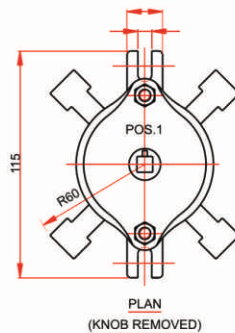
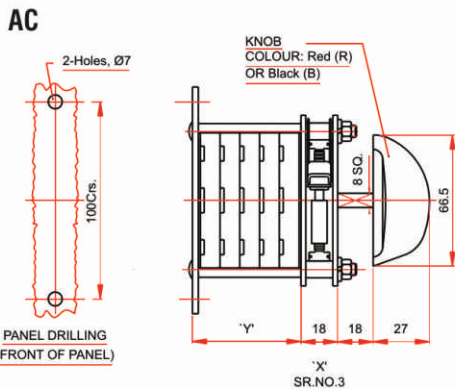
PANEL MOUNTING



DRG. NO. SW - C. 2403

DRG. NO. SW - C. 2402

BASE MOUNTING



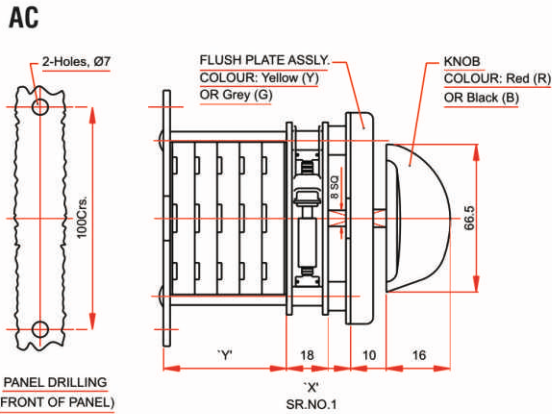
DRG. NO. SW - C. 2415

SW-C.2416

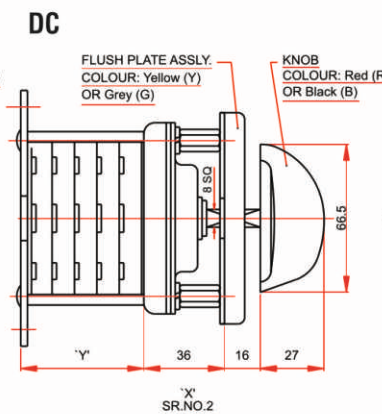
DRG. NO. SW - C. 2416

LARGE UNIVERSAL MOUNTING

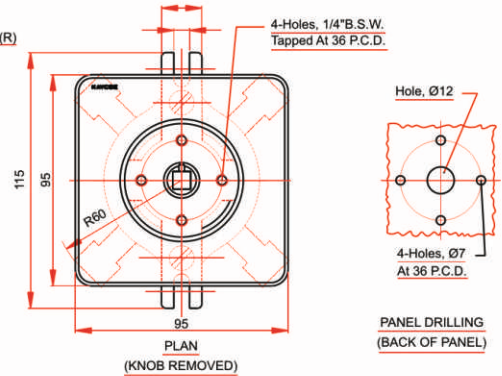
ALL DIMENSIONS IN mm
 UNLESS OTHERWISE STATED



DRG. NO. SW - C. 2419



DRG. NO. SW - C. 2420

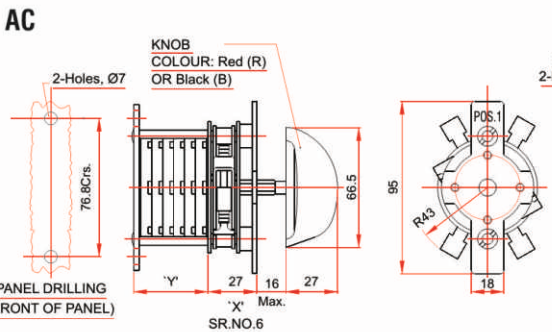


PANEL DRILLING (BACK OF PANEL)

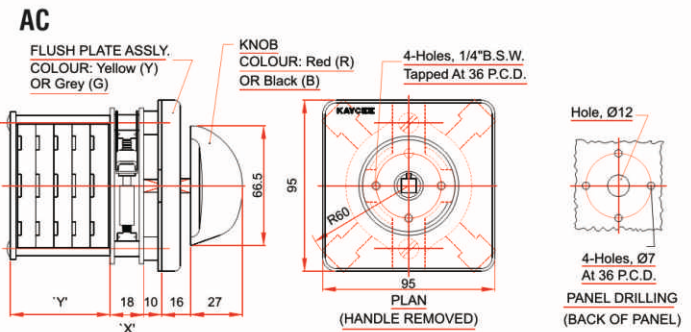
6-POSITIONS

10-16-25 AMP.

8-POSITIONS



DRG. NO. SW - C. 3281 / 1

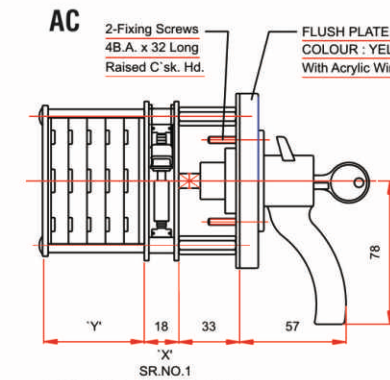


DRG. NO. SW - C. 2403

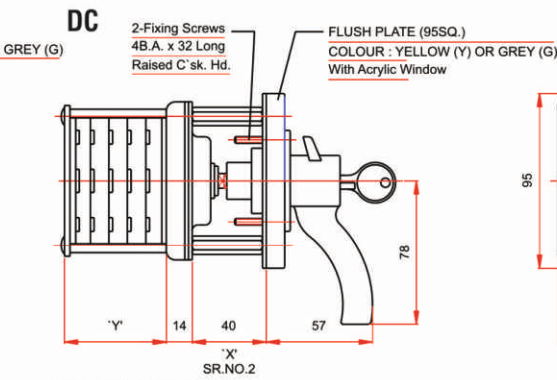
Sr. No.	Type of mounting	AC / DC	Dimension 'X' Max.	
			4 Pos. Switch	Switch with Blocked Pos.
1	Panel	AC	18	24
2	Panel	DC	40	52
3	Base Door Interlock non lockable	AC	18	24
4	- do -	DC	40	51
5	Base Door Interlock lockable	AC	18	24
6	- do -	DC	40	51

40-63 AMP 4 POSITION 90°

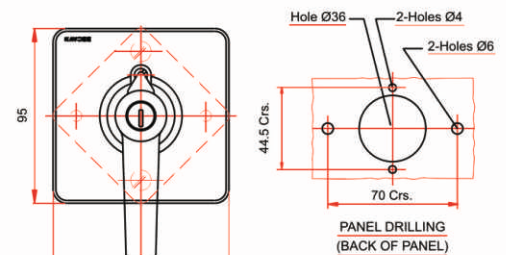
CENTRE KEY LOCK



DRG. NO. SW - C. 2388
 OLD DRG. NO. SW - C. 2404



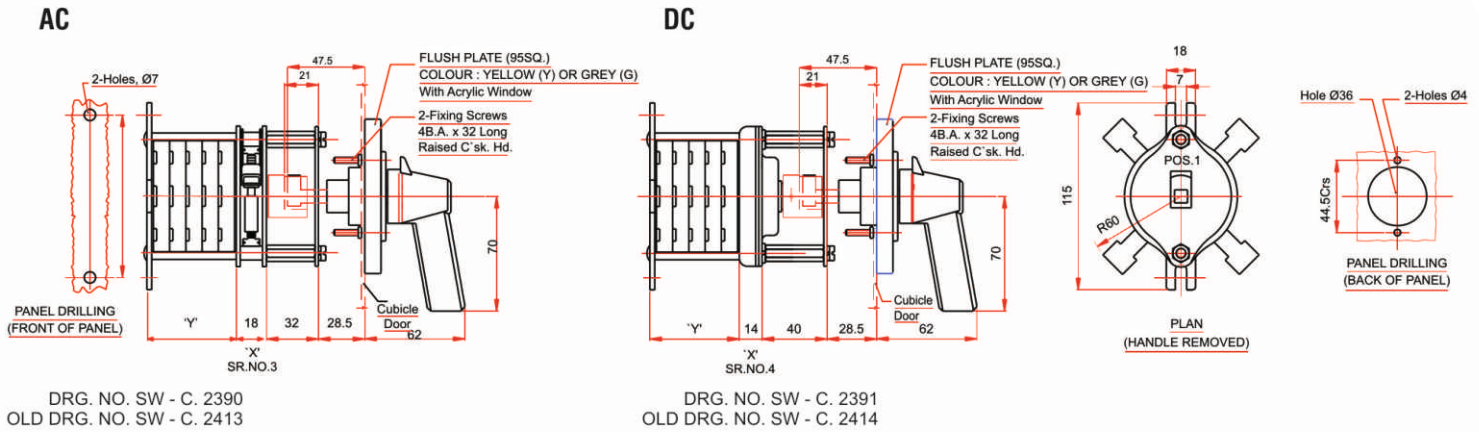
DRG. NO. SW - C. 2389
 OLD DRG. NO. SW - C. 2408



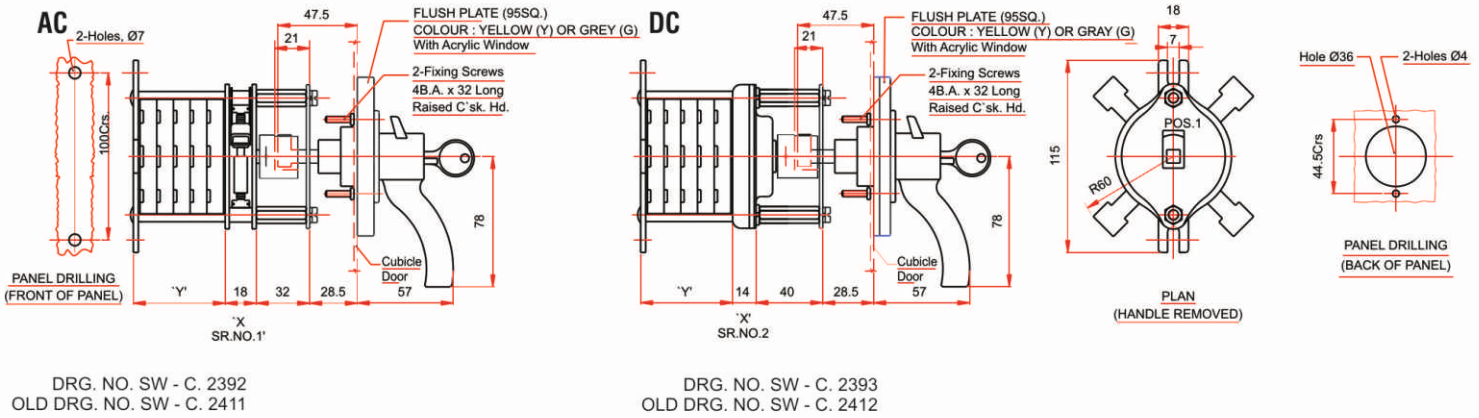
PANEL DRILLING (BACK OF PANEL)

CUBICLE DOOR INTERLOCK (NON - LOCKABLE)

ALL DIMENSIONS IN mm
UNLESS OTHERWISE STATED

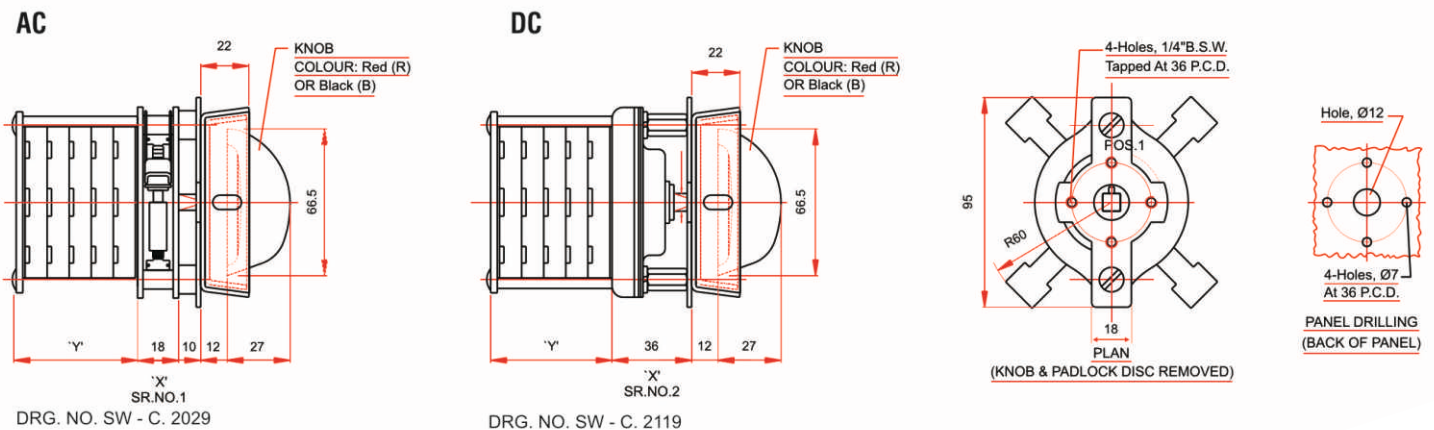


CUBICLE DOOR INTERLOCK (LOCKABLE)



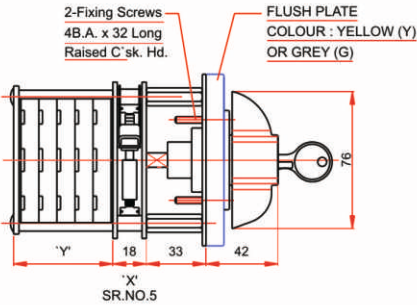
Sr. No.	Type of mounting	AC / DC	Dimension 'X' Max.	
			4 Pos. Switch	Switch with Blocked Pos.
1	Panel Pad Locking	AC	18	24
2	Panel Pad Locking	DC	36	46
3	Panel	AC	18	24
4	Panel	DC	36	46
5	Panel Lockable	AC	18	24
6	Panel Lockable	DC	40	52

LARGE SWITCH WITH PAD LOCKING ARRANGEMENT



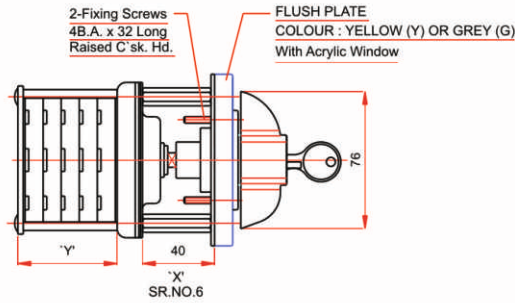
LARGE SWITCH WITH CENTRE KEY LOCK ASSEMBLY (TG)

AC

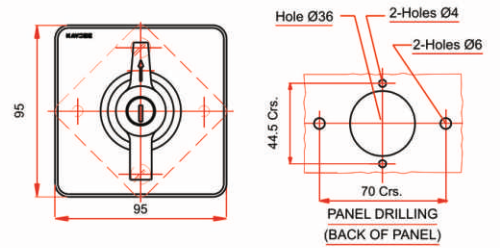


DRG. NO. SW - C.2394
OLD DRG. NO. SW - C.2410

DC



DRG. NO. SW - C.2395
OLD DRG. NO. SW - C.2409

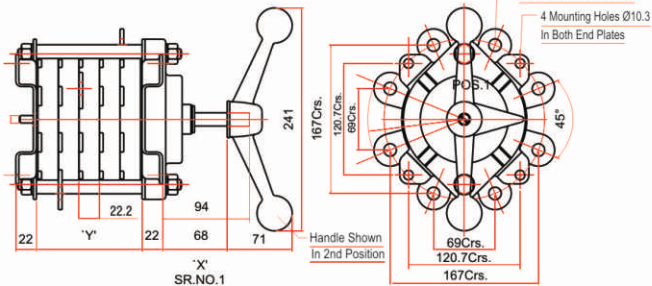


100 - 600 AMP. 4 POSITION 90°

Sr. No.	Type of mounting	AC / DC	Dimension 'X' Max.	
			4 Pos. Switch	Switch with Blocked Pos.
1	Universal	AC / DC	68	68
2	Universal with Aux. Switch	AC / DC	83	102
3	Universal with cubicle Door interlock	AC / DC	83	102
4	Universal with Centre key Lock	AC / DC	83	on Enquiry
5	100 A Light Duty	AC / DC	36	46

100 - 600 AMP. 4 POSITION 90°

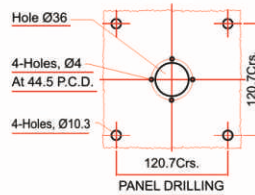
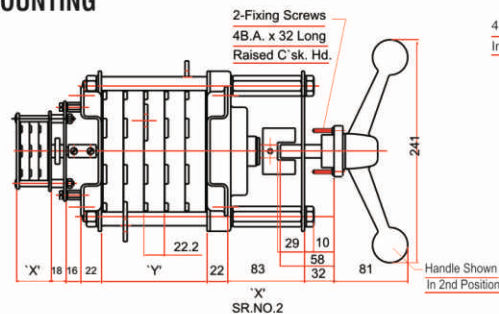
BASE & PANEL



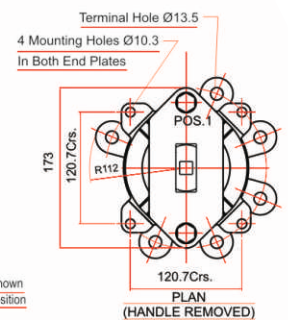
DRG. NO. SW - C. 5002/3

UNIVERSAL MOUNTING

WITH AUXILIARY SWITCH & CUBICAL DOOR INTERLOCK

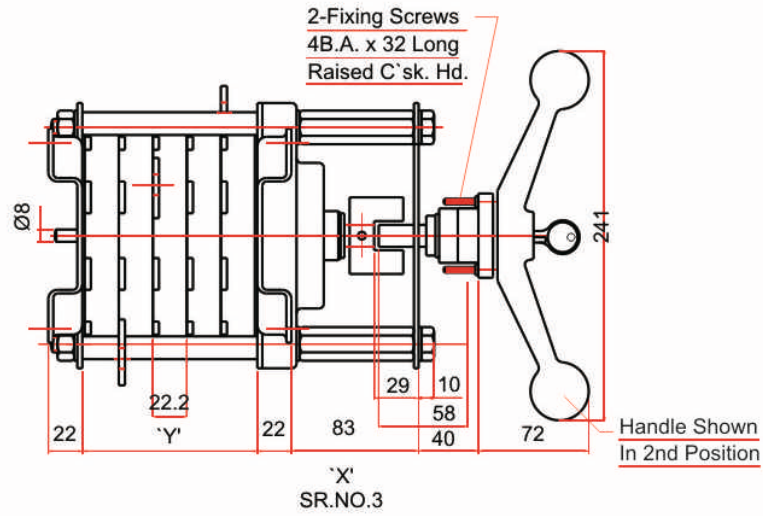


ALL DIMENSIONS IN mm UNLESS OTHERWISE STATED



DRG. NO. SW - C. 5008/3

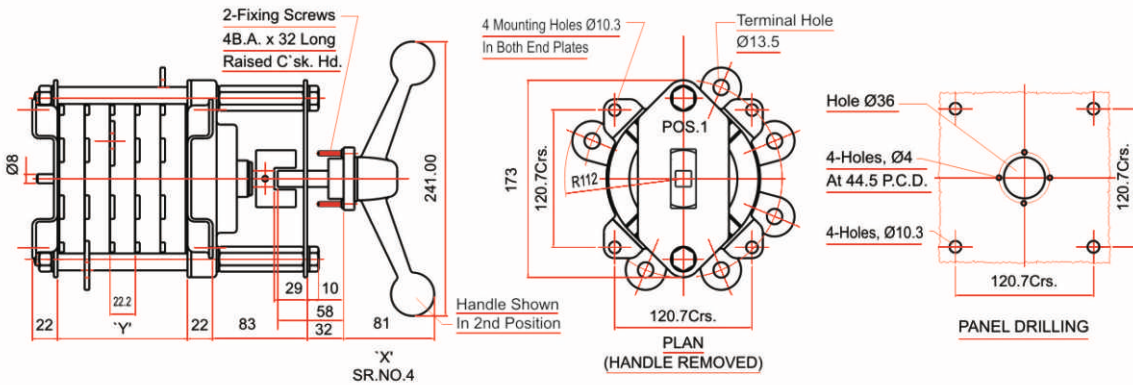
(LOCKABLE)



DRG. NO. SW - C. 5004/4

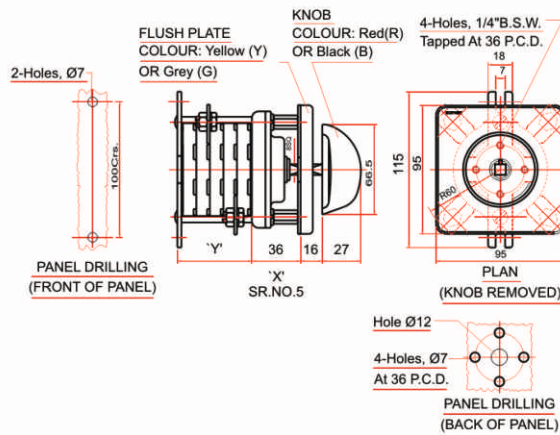
CUBICLE DOOR INTERLOCK

(NON LOCKABLE)



DRG. NO. SW - C. 5003/3

100 AMP. LIGHT DUTY



DRG. NO. SW - C. 5438
ODL DRG. SW - C. 6372



Manufactured by :

KAYCEE INDUSTRIES LIMITED

32, Ramjibhai Kamani Road,

Ballard Estate, Mumbai - 400 001

Tel.: 91-22-22613521 / 22 / 23 / 22616106

Email : sales@kayceeindustries.com

Website : www.kayceeindustries.com

