

Kaycee for Commitment...

Kaycee for Quality...



KAYCEE

Brand that set the standards

KAYCEE JUNIOR STROKE COUNTERS



Kaycee Junior Stroke Counter is a small compact counter with five digits to assure accurate reading even in a limited space. Available as Stroke model with knob type reset & non reset to bring all figures back to zero. It is having die cast base and plastic cover for light weight. No maintenance is required since figure wheels and pinions are of special thermo plastic material.

Specifications:

No. of figures with reset : 5
 Size of figure: 4mm
 Speed: Up to 125 strokes per minute.
 Gearing ratio: 1:1 i.e. One count for one stroke.
 Overall size: 60 x 33 x 28 mm. Approx.

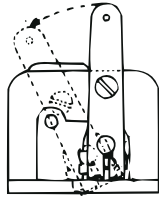
Applications:

Some of the typical applications include:

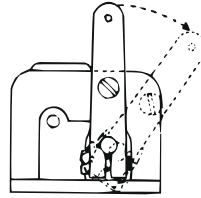
- 1) Office Machines
 (Duplicating machines)
- 2) Circuit breakers for counting the numbers of make and break operations.

- 3) Coil Winders
- 4) Hand Presses

Direction of drive shaft:



Top coming
(Forward Stroke)



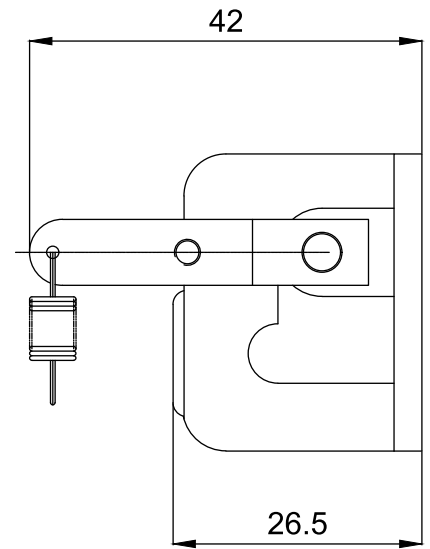
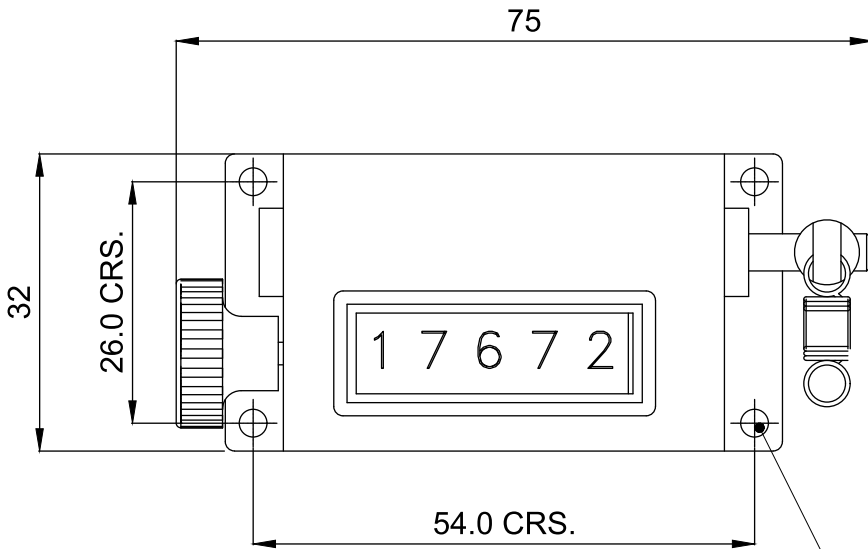
Top going
(Backward Stroke)

What does your code say JS5LK/DR

- 1) Type of counter:
 JS - Junior Stroke
- 2) No. of figures: 5
- 3) Reset details:
 LK - Left hand knob type reset
 RK - Right hand knob type reset
- 4) Drive Shaft Rotation:
 D - Top going (Backward Stroke)
 Side of drive: L - Left R - Right
 While ordering specify 3 & 4
 C- Top coming forward stroke

STD. KNOB WITH STD. LEVER

DC-1619



4 MOUNTING HOLES Ø3.2

Product improvement is a continuous process at kaycee. The Data given in this publication is therefore subject to Revision.

GENERAL TOLERANCES

Full Figure	+1
upto 1st Decimal	+0.5
upto 2nd Decimal	+0.25



Manufactured by :

KAYCEE INDUSTRIES LIMITED

32, Ramjibhai Kamani Road, Ballard Estate, Mumbai - 400 001

Tel.: 91-22-22613521 / 22 / 23 / 22616106

Email : sales@kayceeindustries.com

Website : www.kayceeindustries.com



REVISED : JULY 2021

Kaycee for Commitment...

Kaycee for Quality...



KAYCEE

Brand that set the standards

REVOLUTIONARY !

KAYCEE

REVOLUTION COUNTER

1 2 3 4 5



Kaycee Senior Revolution / Stroke Counters have die cast base and plastic cover for light weight, exceptional strength and rigidity. With the use of self-lubricating sintered bearings, stainless steel shafts, special thermo-plastic figure wheels and pinions, longer life, high speed and faster operations are achieved. Special quick-reset brings all figures back to zero with one short, angular movement. No maintenance is required.

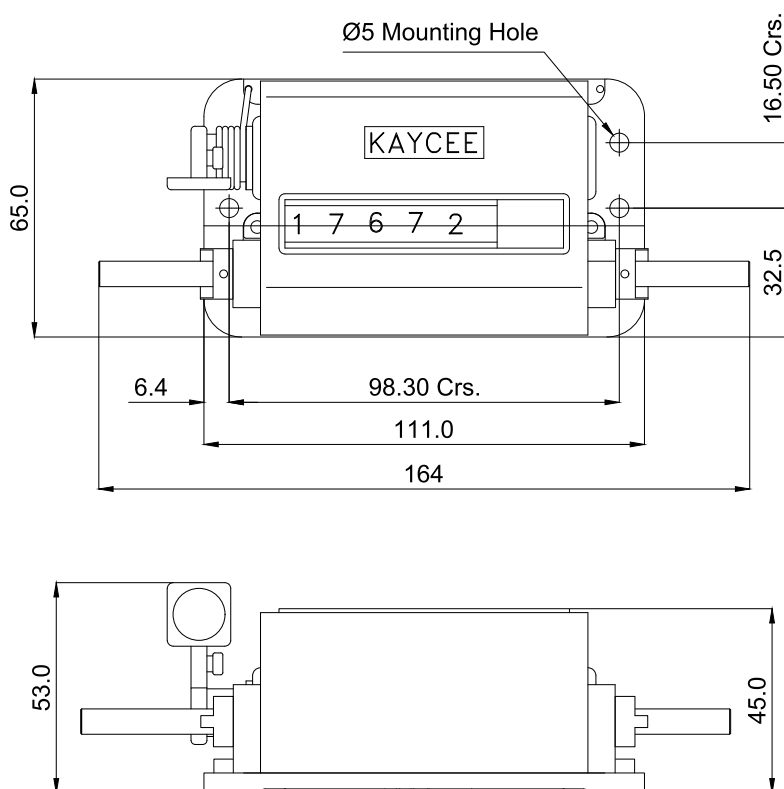
Counter	:	SR - Standard
Digits	:	5
Reset	:	Quick lever reset
Shaft diameter	:	6.35 mm
Method of counting	:	Adding in one direction and subtracting in reverse
Gearing Ratio	:	1:1 standard 1:2, 1:3, 5:1 & 10:1
Ambient Temperature	:	60°C

CE Approved

ALL REVOLUTION COUNTERS CAN BE SUPPLIED IN THESE EXECUTIONS



MEASURING MACHINE MM3



WHAT DOES OUR CODE SAY SR 5 LL/DR

- | | |
|-------------------------|---|
| 1 Type of Counter: | SR-Senior Revolution ST-Senior Stroke |
| 2 No. of Figures: | 5 |
| 3 Reset Details: | LL-Lefthand lever type reset
RL-Righthand lever type reset |
| 4 Drive Shaft Rotation: | C-Top coming D-Top going |
| 5 Side of Drive: | L-Left R-Right, B-Both sides |

While ordering specify 2, 3, 4 and 5

Product Improvement being a continuous process of KAYCEE the product supplied may differ from that illustrated and described in the literature.



Manufactured by :

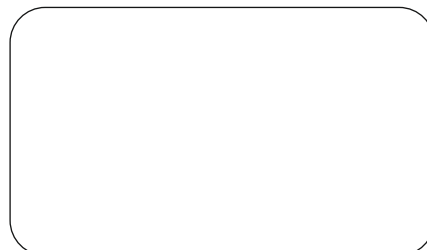
KAYCEE INDUSTRIES LIMITED

32, Ramjibhai Kamani Road, Ballard Estate,
Mumbai - 400 001

Tel.: 91-22-22613521 / 22 / 23 / 22616106

Email : sales@kayceeindustries.com

Website : www.kayceeindustries.com





KAYCEE
Brand that set the standards

RANGE OF MEASURING MACHINES

Used for accurate measurement of Fabrics, paper and plastics directly in metric units. The counter is an adaption of the popular Senior Quick Reset Counter Type 'SR' as per specification as under. If used in conjunction with correct attachments little or no maintenance is required.

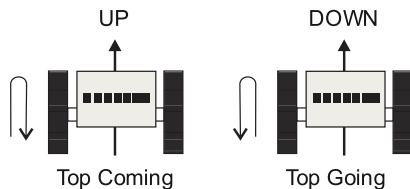
OPTIONAL EXTRAS

- KA - Knurling Aluminum Wheels
- Hard rubber covered measuring wheels.
- Senior Counter MK 11 for better readability.

SPECIFICATIONS

Counter	: TYPE 'SR' Standard
Digits	: 5
Resets	: Quick lever reset
Shaft diameter	: 6.35 mm
Method of Counting	: Adding in one direction and subtracting in reverse
Gearing ratio	: 1:2 i.e. 2 turns to indicate 1 meter on the counter (with 1/2 meter circumference wheels)
Ambient temperature	: 60° C

Calibrated at North Lab India Pvt. Ltd.
While ordering please mention the type number and direction of rotation.



Product improvement being a continuous process at Kaycee, the product supplied may differ from that illustrated and described in the literature.

Code for wheels of Measuring Machines should be specified per below.

- KAW Knurled Alluminium wheel
- RAW Rubber covered Alluminium wheel

TYPE MM3
Measures the length directly in meters with two knurled /rubber Wheels 1/3 meter circumference. The counter is fitted on a hinge for tilting over when not in use.

(Type Mm2: Same as Mm3 but without hinge)

TYPE MM4
Measures the length in meters having a gear ratio 1:2. Also measures in meters and lengths having a gear ratio 5:1 with one knurled / rubber wheel - 1/2 meter circumference. The counter is fitted on L bracket with a hinge for tilting over when not in use.

TYPE MM5
Measures the length in meters having a gear ratio 1:2. Also measures in meters and lengths having a gear ratio 5:1 with two knurled/rubber wheel 1/2 meter circumference. The counter is fitted on L bracket with a hinge for tilting over when not in use

TYPE MM7
Measures the length in meters with two knurled/rubber wheels - 1/3 meter circumference. The counter is fitted on a bracket. This assembly is mounted, on L bracket with 12.7 mm (1/2") diameter 50 cm long rod. Stopper is provided to adjust pressure on the wheels.

KAYCEE

ROAD MEASURERS

USEFUL FOR:

- Surveyors
- Road Contractors
- Electric Supply Undertakings
- Municipal Engineers
- Police and Army
- Civil Engineers
- Public Works Departments
- Exercise Tool.



Kaycee Road Measuring Machine Supercedes older design of chain and tape measurement. It is a rapid, convenient and ACCURATE means of making measuring jobs simple and effortless.

Just walk along the path to be measured with the measuring instrument and then you have it all worked out—the total distance walked by you, direct in meters and decimeters on an easy to read, straight reading dial.

The measuring wheel is divided into ten equal parts and the red arrow on the wheel indicates the starting position, thus ensuring exact measurement.

SPECIFICATIONS

- Height of Machine - 1 metre approx.
- Weight of Machine - 3kg. approx.
- Weight with carrying case - 4kg. Approx.
- Case size - 60cm x 16cm x 33cm (approx.)

MEASURING WHEEL

Machined to exact diameter and lined with synthetic oil-resistant hard rubber.

COUNTER

Quick lever resetting type. The figures are clearly visible throughout the operation.

CALIBRATION

Metres and Decimetres. Any other ratio to order.

CARRYING CASE

For easy handling, an elegant water-proof case is supplied free of charge with every machine.

STAND

Can be supplied with stand

Product improvement being a continuous process at Kaycee the product may differ from that illustrated and described in the literature.



Manufactured by :
KAYCEE INDUSTRIES LIMITED

32, Ramjibhai Kamani Road, Ballard Estate,
Mumbai - 400 001
Tel.: 91-22-22613521 / 22 / 23 / 22616106
Email : sales@kayceeindustries.com
Website : www.kayceeindustries.com

