

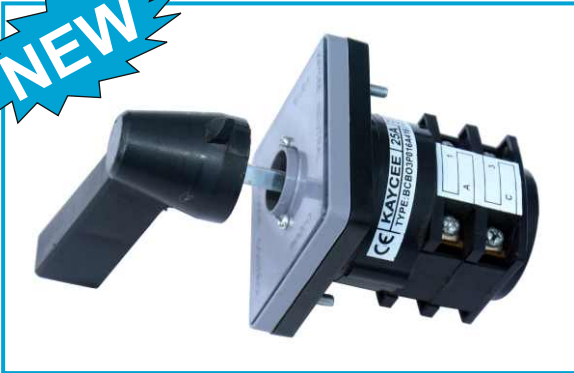
Kaycee for Commitment...
Kaycee for Quality...



KAYCEE
Brand that set the standards

BREAKER CONTROL SWITCHES

NEW



**TESTED AT
ERDA S PER
IEC 60947-5-1**

RATING - 25A / 32A

■ SPECIFICATION :

Conforms to IS / IEC 60947 PART 5 - 1, PART - 3

Utilization Category :

AC - 15 : Controls of electromagnetic loads

AC - 23 : Switching of motor loads or other highly inductive loads

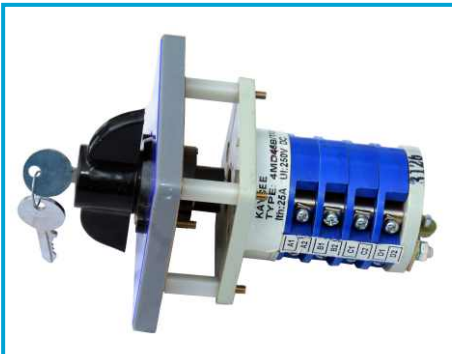
DC - 22 : Switching of mix inductive & resistive loads including moderate load

DC - 13 : Control of electromagnets

AC - 21 : Switching of resistive loads including moderate loads

■ FEATURES I

- Compact Design
- Double Break Butt Contact
- Stay Put
- Spring Return
- Lost Motion
- Sequence Locking
- Locking Facility
- 45°, 60°, 90° angle of throw 45° for request only with additional cost.
- Common Mounting Plate Suitable for Standard + ODS Mounting
- Pistol grip handle and wing type knob.



ELECTRICAL DATA :

Continuous Current Ith	:	25A / 32A FOR AC and 0.5A / 220 VDC
		For Make Break Rating
Insulation Voltage	:	660 VAC
Operation Voltage	:	500 VAC & 220 VDC
High Voltage	:	2.1 KV (R.M.S.)
Ambient Temperature	:	55°C
Frequency of operation	:	240 cycles / hours
Mechanical Life	:	50,000 operations
Electrical Life	:	10,000 operations
Short time withstand current	:	300A For 1 Sec. (25A) 384 A For 1 Sec. (32A)
Short time making & breaking capacity	:	300A For (25A) 384 A For (32A)
IP Test	:	IP 55 (Front side only)

**DC BREAKING CAPACITY
(25 Amp)**

Voltage	Resistive	Inductive 10 m Sec.	Inductive 20 m Sec.	Inductive 40 m Sec.
220	1.0	0.5	0.3	0.2

**DC BREAKING CAPACITY
(32 Amp)**

Voltage	Resistive	Inductive 10 m Sec.	Inductive 20 m Sec.	Inductive 40 m Sec.
220	1.5	2.5	2.3	0.5

ITEM	DESCRIPTION	WIDTH	MECHANISM				
			'A'	'B'	'C'	'D'	'E'
1	Earthing Plate	15.0	15.0	15.0	15.0	15.0	15.0
2	Base Plate	06.5	06.5	06.5	06.5	06.5	-
3	Pack (L.M.D.)(Multiples)	12.7	-	12.7	12.7	-	-
4	Pack (Multiples)	12.7	12.7	12.7	12.7	12.7	12.7
5	Spring Return Mech.	20.0	20.0	20.0	20.0	20.0	-
6	Seq. Locking Device	12.0	-	-	12.0	12.0	-
7	Housing Cover No. 3	06.5	06.5	06.5	06.5	06.5	-
8	Flush Plate	07.0	07.0	07.0	07.0	07.0	07.0
9	Stay Put Mechanism	16.0	-	-	-	-	16.0
Total 'X'		108.4	67.7	80.4	92.4	79.7	50.7

MECHANISM 'A' - Spring Return

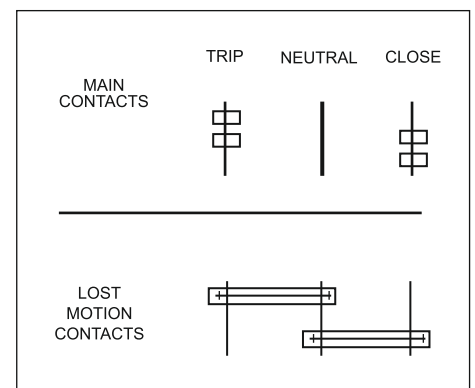
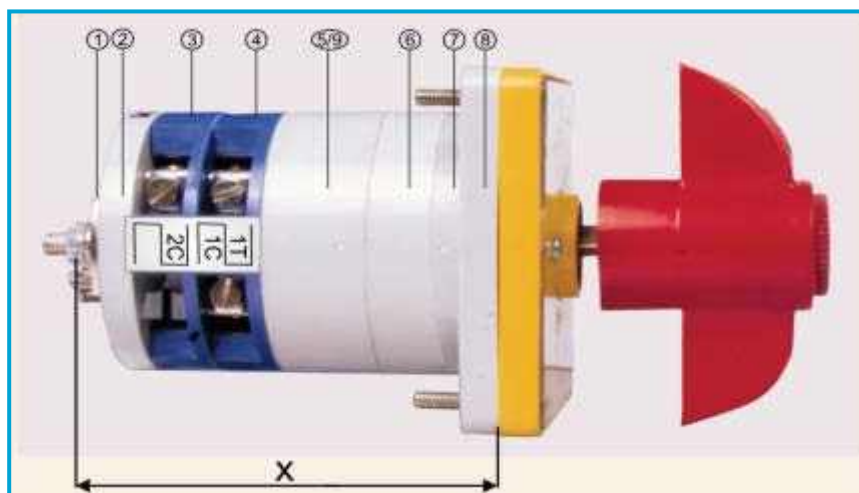
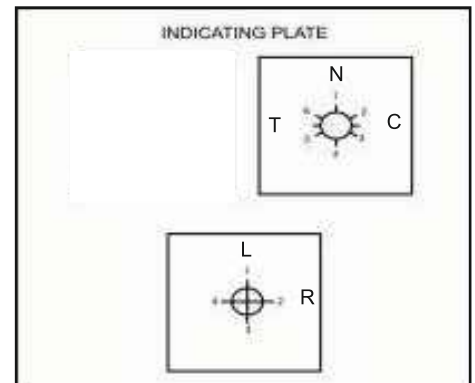
MECHANISM 'B' - Spring Return + Lost Motion Device

MECHANISM 'C' - Spring Return + Seq. Locking
Lost Motion Device

MECHANISM 'D' - Spring Return + Seq. Locking

MECHANISM 'E' - Std stay Put Mechanism

MECHANISM 'AE' - One side Spring Return and other side Stay Put



CODING SYSTEM :

The Breaker Control Switches will bear the code number : its details are given below :

1	2	3	4	5	6	7	8	9
B	C							

(3) Mechanism :

- A. Spring Return.
- B. Spring Return with Lost Motion Device
- C. Spring Return with Lost Motion Device plus Sequence Locking.
- D. Spring Return with Sequence Locking.
- E. Stay Put.

(4) & (5) : No. of Standard packets (2 electrical ways per packet).

Example:

01 = 1 Packet = 2 Electrical ways.

02 = 2 Packets = 4 Electrical ways.

(6) Type of Handles

- L = Lever Type Lock
- T = TEE Type Lock

- P = Pistol Grip Handle
- W = Wing Type Handle / Knob

(7) & (8) : No. of packers with Lost Motion Device.

Example :

01 = 1 Packet = 2 Electrical ways.

02 = 2 Packets = 4 Electrical ways.

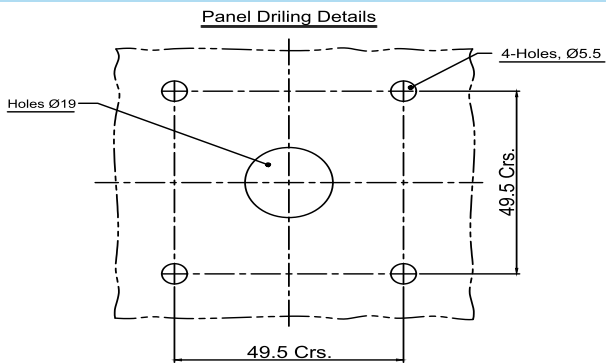
(9) Angle of throw :

4 = 45°

6 = 60°

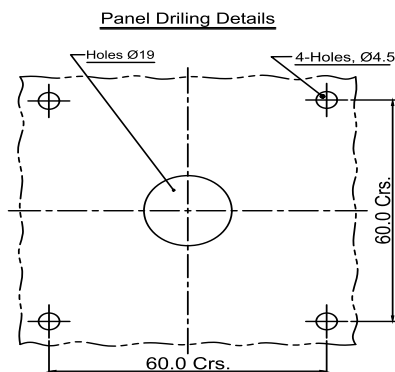
9 = 90°

PANEL CUTOUT DETAILS



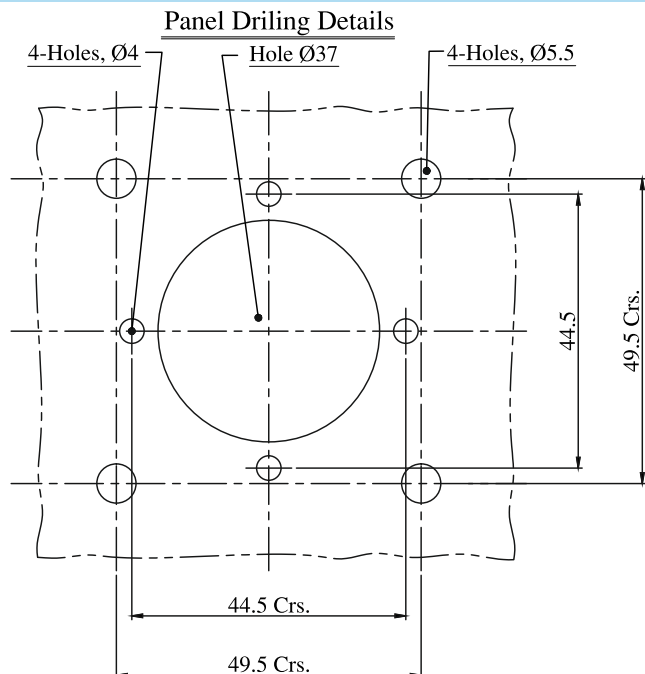
CS-C.10231

Panel Drilling For Breaker Control Switch With
O.D.S. Mounting (Non-Lokable)



CS-C.10067
Panel Mounting

Breaker Control Switch With STD. Mounting



CS-C.10100

BREAKER CONTROL SWITCH WITH
Centre Key Lock(LG/TG)

Kaycee for Commitment...
Kaycee for Quality...



Manufactured by :

KAYCEE INDUSTRIES LIMITED

32, Ramjibhai Kamani Road, Ballard Estate,
Mumbai - 400 001

Tel.: 91-22-22613521 / 22 / 23 / 22616106

Email : sales@kayceeindustries.com

Website : www.kayceeindustries.com



REVISED : JULY 2021