



CONTROL CABINET ESSENTIALS

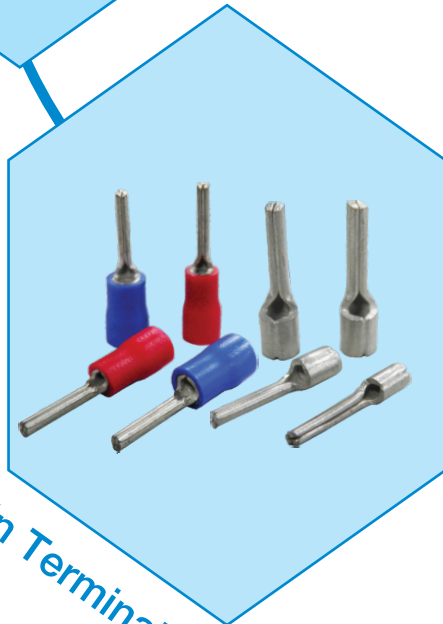
# SOLDERLESS TERMINALS



Ring Terminals



Spade Terminals



Pin Terminals



Copper Tubular Lugs

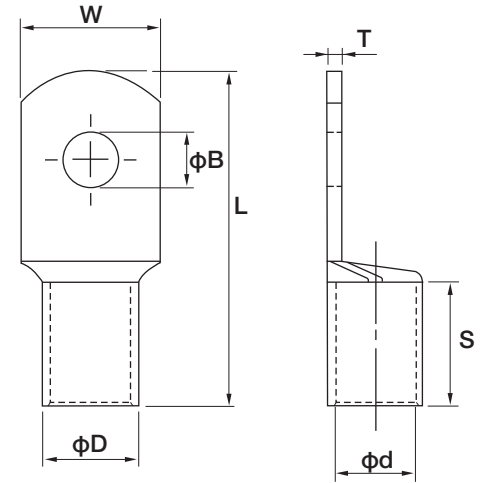
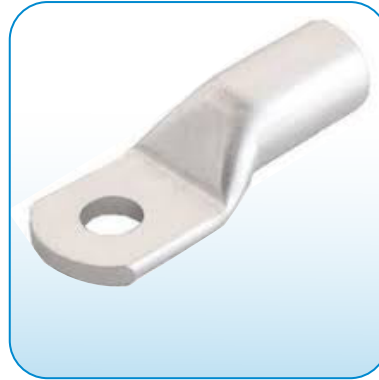
REACH  
CERTIFIED



**SIMPLY SOLUTIONS**

# COPPER TUBULAR LUGS

- Standard type
- W/O Inspection hole
- Material Type: ETP grade copper
- Finish: Tin plating



## Quality Benefits of TT Lugs

**Conductivity:** All our input raw materials are checked for conductivity. We only use ETP grade, 99.9% conductivity copper. Incoming material is checked for conductivity and dimensional accuracy.

**Crimpability:** We ensure that our material is at the optimum softness so that operator can crimp the terminal with minimal effort without even hair crack and at the same time ensures that it is hard enough to sustain deformation.

**Plating:** Our terminals have a tin coating minimum of 5 microns to ensure a sustainable shelf life.

Copper Tubular Lugs

Copper Tubular Lugs											
Dimensions in mm											
Conductors (mm <sup>2</sup> )	Article	Description	Bolt	Bolt / Stud	Total Length	Palm Width	Thickness	Barrel Length	Barrel OD	Barrel ID	Packing Qty.
				φB	L	W	T	S	φD	φd	
2.5	01 17 10521	TTLK2.5-5	M5	5.2	20	9	0.8	7	3.8	2.3	200
4	01 17 10522	TTLK4-6	M6	6.4	22	11	1	7	4.8	3.1	200
6	01 17 10523	TTLK6-6	M6	6.4	24	11	1	9	5.5	3.8	200
10	01 17 10524	TTLK10-6	M6	6.4	24	11	1.3	9	6.2	4.5	200
16	01 17 10525	TTLK16-6	M6	6.4	30	11	1.5	12	7.1	5.4	200
25	01 17 10526	TTLK25-6	M6	6.4	37	13	1.9	12	9.0	7.0	100
35	01 17 10527	TTLK35-8	M8	8.2	37	15	1.9	12	10.0	8.0	100
50	01 17 10528	TTLK50-8	M8	8.2	45	16	1.9	16	11.2	9.2	50
	01 17 10529	TTLK50-10	M10	10.2	45	16	1.9	16	11.2	9.2	
70	01 17 10530	TTLK70-8	M8	8.2	56	20	2.2	18	13.8	11.5	50
	01 17 10531	TTLK70-10	M10	10.2	56	20	2.2	18	13.8	11.5	
	01 17 10532	TTLK70-12	M12	12.7	56	20	2.2	18	13.8	11.5	
95	01 17 10533	TTLK95-10	M10	10.2	58	23	2.6	20	15.6	12.8	40
	01 17 10534	TTLK95-12	M12	12.7	58	23	2.6	20	15.6	12.8	

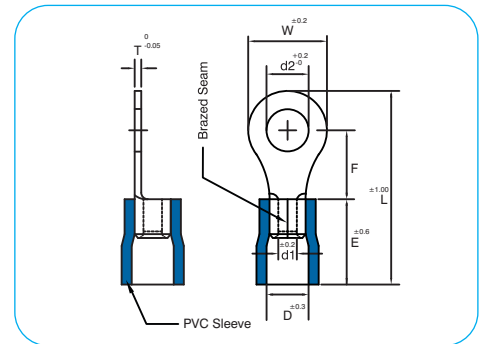
120	01 17 10535	TTLK120-10	M10	10.2	62	26	2.8	22	17.8	14.8	30
	01 17 10536	TTLK120-12	M12	12.7	62	26	2.8	22	17.8	14.8	
150	01 17 10537	TTLK150-12	M12	12.7	70	28	3.2	26	19.6	16.0	20
	01 17 10538	TTLK150-16	M16	16.2	70	28	3.2	26	19.6	16.0	
185	01 17 10539	TTLK185-12	M12	12.7	83	32	3.4	28	22	18.0	10
	01 17 10540	TTLK185-16	M16	16.2	83	32	3.4	28	22	18.0	
240	01 17 10541	TTLK240-16	M16	16.2	97	38	3.5	34	26	22	10

# SOLDERLESS TERMINALS

## Ring Terminals (Insulated)

REACH CERTIFIED

- Brazed Seam
- Material: ETP-Copper with PVC Sleeve
- Surface: Tin Plated



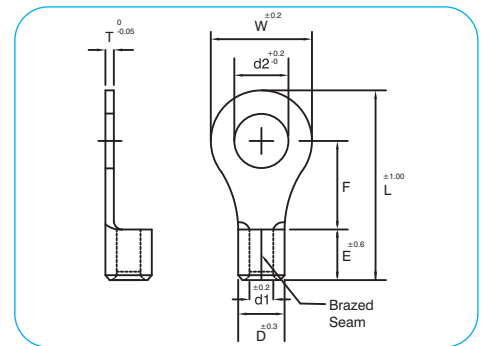
Conductors (mm <sup>2</sup> )	Article No.	Description	Stud Size	Dimension (mm)								
				Insulated	d2	W	F	L	E	Barrel OD D	Barrel ID d1	Thickness T
0.5 - 1.5	01 17 27055	TTRVB1-3.2S	3.20	6.00	6.20	14.00	10.00	3.70	1.60	0.80		
	01 17 27051	TTRVB1-3.2	3.20	8.00	7.20	16.00	10.00	3.70	1.60	0.80		
	01 17 04183	TTRVBL1-3.7	3.70	8.00	7.00	20.80	10.00	4.00	1.70	0.75		
	01 17 27052	TTRVB1-3.7S	3.70	6.80	4.80	13.00	10.00	3.70	1.60	0.80		
	01 17 27053	TTRVB1-4S	4.20	6.00	6.20	14.00	10.00	3.70	1.60	0.80		
	01 17 04184	TTRVBL1-4	4.30	8.00	7.00	20.80	10.00	4.00	1.70	0.75		
	01 17 04185	TTRVB1-5	5.30	8.00	7.00	20.80	10.00	4.00	1.70	0.75		
1.5 - 2.5	01 17 27054	TTRVB1-8	8.20	12.00	12.20	23.00	10.00	3.70	1.60	0.80		
	01 17 27056	TTRVB2-3.7	3.70	8.00	7.00	16.00	10.00	4.50	2.30	0.80		
	01 17 04186	TTRVBL2-4	4.30	8.50	7.40	21.80	10.00	4.50	2.30	0.80		
	01 17 27059	TTRVB2-5S	5.20	8.00	7.00	16.00	10.00	4.50	2.30	0.80		
	01 17 04187	TTRVBL2-5	5.30	9.50	7.40	21.80	10.00	4.50	2.30	0.80		
	01 17 04188	TTRVB2-6	6.40	12.00	11.00	26.80	10.00	4.50	2.30	0.80		
	01 17 27057	TTRVB2-6S	6.40	10.00	8.00	18.00	10.00	4.50	2.30	0.80		
	01 17 04189	TTRVB2-8	8.40	12.00	11.00	26.80	10.00	4.50	2.30	0.80		
	01 17 06846	TTRVBL2-10	10.50	19.20	16.00	35.40	10.00	4.50	2.30	0.80		
	01 17 27058	TTRVB2-12	13.00	18.00	15.00	29.00	10.00	4.50	2.30	0.80		

Conductors (mm <sup>2</sup> )	Article No.	Description	Stud Size	Dimension (mm)						
				Palm Width		Total Length		Barrel OD	Barrel ID	Thickness
				Insulated	d2	W	F	L	E	D
4 - 6	01 17 04190	TTRVB5-4	4.30	9.50	8.30	26.00	13.00	6.40	3.40	1.00
	01 17 27060	TTRVB5-5L	5.20	12.00	8.00	20.00	13.00	6.00	3.50	1.00
	01 17 04191	TTRVB5-5	5.30	9.50	8.30	26.00	13.00	6.40	3.40	1.00
	01 17 04192	TTRVB5-6	6.40	12.00	10.50	29.50	13.00	6.40	3.40	1.00
	01 17 27061	TTRVB5-8S	8.20	12.00	8.00	20.00	13.00	6.00	3.50	1.00
	01 17 04193	TTRVB5-8	8.40	15.00	13.30	34.00	13.00	6.40	3.40	1.00
	01 17 27062	TTRVB5-8L	9.00	14.00	12.50	25.50	13.00	6.00	3.50	1.00
	01 17 06847	TTRVB5-10	10.50	15.00	13.30	34.00	13.00	6.40	3.40	1.00
8 - 10	01 17 27063	TTRVB8-5	5.20	10.00	7.00	22.00	17.00	7.00	4.30	1.00
	01 17 04194	TTRVB8-6	6.40	15.00	13.60	37.70	16.70	8.50	4.50	1.20
	01 17 27064	TTRVB8-6S	6.40	12.00	9.00	23.00	17.00	7.00	4.30	1.00
	01 17 04195	TTRVB8-8	8.40	15.00	13.60	37.70	16.70	8.50	4.50	1.20
	01 17 27065	TTRVB8-10L	10.20	22.00	15.00	34.00	17.00	7.00	4.30	1.00
	01 17 06848	TTRVB8-10	10.50	15.00	13.60	37.70	16.70	8.50	4.50	1.20
	01 17 27066	TTRVB8-12L	12.70	22.00	15.00	34.00	17.00	7.00	4.30	1.00
	01 17 06849	TTRVB8-12	13.00	20.00	15.00	42.00	16.70	8.50	4.50	1.20
14 - 16	01 17 04196	TTRVB14-6	6.40	12.00	13.30	40.70	22.50	10.50	5.80	1.50
	01 17 04197	TTRVB14-8	8.40	16.00	14.20	44.00	22.50	10.50	5.80	1.50
	01 17 27068	TTRVB14-10L	10.20	22.00	14.00	35.00	22.00	8.50	5.60	1.20
	01 17 04198	TTRVB14-10	10.50	16.00	14.20	44.00	22.50	10.50	5.80	1.50
	01 17 06850	TTRVB14-12	13.00	22.00	19.80	52.50	22.50	10.50	5.80	1.50
	01 17 27067	TTRVB14-12S	13.00	22.00	14.00	35.00	22.00	8.50	5.60	1.20
	01 17 06851	TTRVB14-14	15.00	31.60	25.30	62.50	22.50	10.50	5.80	1.50

## Ring Terminals (Non-Insulated)

REACH CERTIFIED 

- Brazed Seam
- Material: ETP-Copper
- Surface: Tin Plated



Conductors (mm <sup>2</sup> )	Article No.	Description	Stud Size	Dimension (mm)						
				Palm Width		Total Length		Barrel OD	Barrel ID	Thickness
				Brazed Seam	d2	W	F	L	E	D
0.5 - 1.5	01 17 27004	TTRNB 1-3.2S	3.00	6.00	6.20	14.00	5.00	3.20	1.60	0.80
	01 17 27000	TTRNB 1-3.2	3.20	8.00	7.20	16.00	5.00	3.20	1.60	0.80
	01 17 27001	TTRNB 1-3.7S	3.7S	6.80	4.80	13.00	5.00	3.20	1.60	0.80
	01 17 04212	TTRNB1-3.7	3.70	8.00	7.00	15.80	4.80	3.40	1.70	0.75
	01 17 27002	TTRNB 1-4S	4.20	6.80	6.20	14.00	5.00	3.20	1.60	0.80

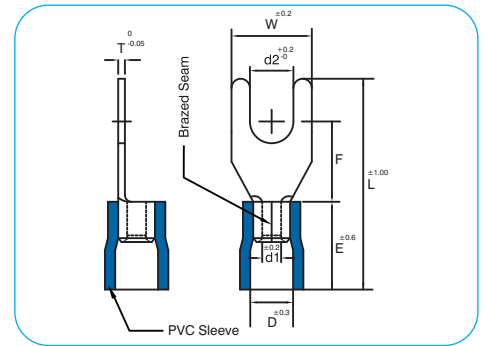
Conductors (mm <sup>2</sup> )	Article No.	Description	Stud Size	Dimension (mm)								
						Palm Width		Total Length		Barrel OD	Barrel ID	Thickness
				Brazed Seam	d2	W	F	L	E	D	d1	T
0.5 - 1.5	01 17 04213	TTRNBL1-4	4.30	8.00	7.00	15.80	4.80	3.40	1.70	0.75		
	01 17 04214	TTRNB1-5	5.30	8.00	7.00	15.80	4.80	3.40	1.70	0.75		
	01 17 06852	TTRNB1-6	6.40	11.60	11.00	21.8	4.80	3.40	1.70	0.75		
	01 17 27003	TTRNB 1-8	8.20	12.00	12.20	23.00	5.00	3.20	1.60	0.80		
1.5 - 2.5	01 17 27005	TTRNBS 2-3.7	3.70	8.00	7.00	16.00	5.00	3.90	2.30	0.80		
	01 17 04215	TTRNBL2-4	4.30	8.50	7.40	16.50	4.80	4.10	2.30	0.80		
	01 17 27008	TTRNBL 2-5S	5.00	8.00	7.00	16.00	5.00	3.90	2.30	0.80		
	01 17 04216	TTRNBL2-5	5.30	9.50	7.40	17.00	4.80	4.10	2.30	0.80		
	01 17 27006	TTRNBL 2-6S	6.00	10.00	8.00	18.00	5.00	3.90	2.30	0.80		
	01 17 04217	TTRNB2-6	6.40	12.00	11.00	21.80	4.80	4.10	2.30	0.80		
	01 17 04218	TTRNB2-8	8.40	12.00	11.00	21.80	4.80	4.10	2.30	0.80		
	01 17 06853	TTRNBL2-10	10.50	19.20	16.00	30.40	4.80	4.10	2.30	0.80		
	01 17 27007	TTRNBL 2-12	12.00	18.00	15.00	29.00	5.00	3.90	2.30	0.80		
4 - 6	01 17 04219	TTRNBL5-4	4.30	9.50	8.30	19.00	6.00	5.60	3.40	1.00		
	01 17 27009	TTRNB 5-5L	5.00	12.00	8.00	20.00	6.00	5.50	3.50	1.00		
	01 17 04220	TTRNB5-5	5.30	9.50	8.30	19.00	6.00	5.60	3.40	1.00		
	01 17 04221	TTRNB5-6	6.40	12.00	10.50	22.50	6.00	5.60	3.40	1.00		
	01 17 27010	TTRNB 5-8S	8.20	12.00	8.00	20.00	6.00	5.00	3.50	1.00		
	01 17 27011	TTRNB 5-8L	8.20	14.00	12.50	25.50	6.00	5.50	3.50	1.00		
	01 17 04222	TTRNB5-8	8.40	15.00	13.30	27.00	6.00	5.60	3.40	1.00		
	01 17 06854	TTRNB5-10	10.50	15.00	13.30	27.00	6.00	5.60	3.40	1.00		
8 - 10	01 17 27012	TTRNB 8-5	5.00	10.00	7.00	22.00	8.00	6.30	4.30	1.00		
	01 17 27013	TTRNB 8-6S	6.00	12.00	9.00	23.00	8.00	6.30	4.30	1.00		
	01 17 04223	TTRNBL8-6	6.40	15.00	13.60	29.20	8.50	7.20	4.50	1.20		
	01 17 04224	TTRNB8-8	8.40	15.00	13.60	29.20	8.50	7.20	4.50	1.20		
	01 17 27014	TTRNB 8-10L	10.00	22.00	15.00	34.00	8.00	6.30	4.30	1.00		
	01 17 06855	TTRNB8-10	10.50	15.00	13.60	29.20	8.50	7.20	4.50	1.20		
	01 17 27015	TTRNB 8-12L	12.00	22.00	15.00	34.00	8.00	6.30	4.30	1.00		
	01 17 06856	TTRNB8-12	13.00	20.00	15.00	33.50	8.50	7.20	4.50	1.20		
14 - 16	01 17 04225	TTRNBS14-6	6.40	12.00	13.30	29.20	10.50	9.00	5.80	1.50		
	01 17 04226	TTRNB14-8	8.40	16.00	14.20	32.50	10.50	9.00	5.80	1.50		
	01 17 27017	TTRNBL 14-10	10.00	22.00	14.00	35.00	10.00	8.00	5.60	1.20		
	01 17 04227	TTRNB14-10	10.50	16.00	14.20	32.50	10.50	9.00	5.80	1.50		
	01 17 27016	TTRNB 14-12S	12.00	22.00	14.00	35.00	10.00	8.00	5.60	1.20		
	01 17 06857	TTRNB14-12	13.00	22.00	19.80	41.00	10.50	9.00	5.80	1.50		
	01 17 06858	TTRNB14-14	15.00	31.60	25.30	51.00	10.50	9.00	5.80	1.50		
25 (22)	01 17 27018	TTRNB 22-6	6.00	16.00	11.00	30.00	11.00	11.00	7.50	1.80		
	01 17 27020	TTRNB 22-8S	8.00	16.00	11.00	30.00	11.00	11.00	7.50	1.80		
	01 17 06859	TTRNB22-8	8.40	16.50	13.50	33.50	12.00	11.5	7.70	1.70		

Conductors (mm <sup>2</sup> )	Article No.	Description	Stud Size	Dimension (mm)							
					Palm Width		Total Length		Barrel OD	Barrel ID	Thickness
				Brazed Seam	d2	W	F	L	E	D	d1
25 (22)	01 17 27021	TTRNB 22-10S	10.00	16.00	11.00	30.00	11.00	11.00	7.50	1.80	
	01 17 06860	TTRNB22-10	10.50	17.50	16.00	36.70	12.00	11.50	7.70	1.70	
	01 17 27020	TTRNB 22-12	12.00	16.00	11.00	30.00	11.00	11.00	7.50	1.80	
35 (38)	01 17 27022	TTRNB 38-6S	6.00	16.00	11.00	31.00	12.00	12.60	9.00	1.80	
	01 17 06861	TTRNBL38-6	6.40	22.00	17.70	42.70	14.00	13.3	9.40	1.80	
	01 17 27023	TTRNB 38-8S	8.00	16.00	11.00	31.00	12.00	12.60	9.00	1.80	
	01 17 06862	TTRNBL38-8	8.40	22.00	17.70	42.7	14.00	13.3	9.40	1.80	
	01 17 06863	TTRNBL38-10	10.50	22.00	17.70	42.7	14.00	13.30	9.40	1.80	
	01 17 27024	TTRNB 38-12S	12.00	22.00	19.00	42.00	12.00	12.60	9.00	1.80	
50 (60)	01 17 06864	TTRNBL60-6	6.40	22.00	20.70	49.70	18.00	15.40	11.40	1.80	
	01 17 06865	TTRNBL60-8	8.40	22.00	20.70	49.70	18.00	15.40	11.40	1.80	
	01 17 06866	TTRNBL60-10	10.50	22.00	20.70	49.70	18.00	15.40	11.40	1.80	
	01 17 27025	TTRNBL60-12	12.00	24.00	20.00	48.00	16.00	14.00	11.00	1.80	
	01 17 27026	TTRNBL60-16	16.00	32.00	22.00	54.00	16.00	14.00	11.00	1.80	
70	01 17 06867	TTRNBL70-8	8.40	24.00	20.00	50.00	18.00	17.50	13.30	2.00	
	01 17 27029	TT RNBL70-10	10.00	22.00	18.00	47.00	18.00	16.00	12.00	2.00	
	01 17 06868	TTRNBL70-10S	10.50	24.00	20.00	50.00	18.00	17.50	13.30	2.00	
	01 17 27027	TTRNBL70-12	12.00	22.00	18.00	47.00	18.00	16.00	12.00	2.00	
	01 17 27028	TTRNBL70-16	16.00	28.00	22.00	54.00	18.00	16.00	12.00	2.00	

## Spade Terminals (Insulated)

REACH CERTIFIED 

- Brazed Seam
- Material: ETP-Copper with PVC Sleeve
- Surface: Tin Plated



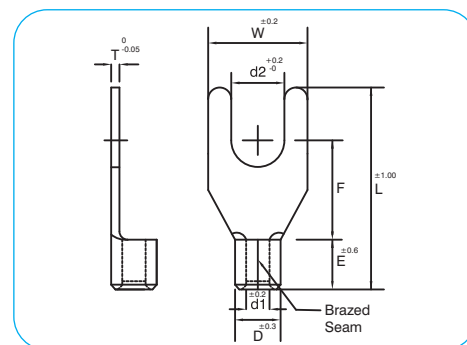
Conductors (mm <sup>2</sup> )	Article No.	Description	Stud Size	Dimension (mm)							
					Palm Width		Total Length		Barrel OD	Barrel ID	Thickness
				Insulated	d2	W	F	L	E	D	d1
0.5 - 1.5	01 17 06869	TTSVB1.5-3.2	3.20	5.70	6.50	21.00	10.00	4.00	1.70	0.75	
	01 17 04199	TTSVB1-3.7	3.70	6.40	6.50	21.00	10.00	4.00	1.70	0.75	
	01 17 04200	TTSVB1-4	4.30	8.10	6.50	21.00	10.00	4.00	1.70	0.75	
	01 17 04201	TTSVBS1-5	5.30	8.10	6.50	21.00	10.00	4.00	1.70	0.75	

Conductors (mm <sup>2</sup> )	Article No.	Description	Stud Size	Dimension (mm)							
					Palm Width		Total Length		Barrel OD	Barrel ID	Thickness
				Brazed Seam	d2	W	F	L	E	D	d1
1.5 - 2.5	01 17 27069	TTSVBL2-3L	3.20	5.60	5.20	20.00	5.00	4.50	2.30	0.80	
	01 17 10059	TTSVBL2-3.5	3.50	6.00	6.50	15.00	5.00	3.90	2.30	0.80	
	01 17 04202	TTSVBL2-4	4.30	8.10	6.50	21.00	10.00	4.50	2.30	0.80	
	01 17 27070	TTSVBL2-5L	5.00	10.60	9.50	27.80	6.20	4.50	2.60	0.80	
	01 17 04203	TTSVBL2-5	5.30	9.30	6.50	21.00	10.00	4.50	2.30	0.80	
	01 17 04204	TTSVB2-6	6.40	12.00	11.00	27.00	10.00	4.50	2.30	0.80	
	01 17 27071	TTSVBL2-6L	6.50	10.00	9.00	24.00	5.00	4.50	2.30	0.80	
	01 17 06870	TTSVB2-8	8.40	14.00	10.50	28.50	10.00	5.60	2.80	1.30	
4 - 6	01 17 27074	TTSVBL5-3	3.60	6.00	5.00	22.00	6.00	6.40	3.60	1.00	
	01 17 04205	TTSVBL5-4	4.30	9.00	7.00	25.50	13.00	6.40	3.40	1.00	
	01 17 27072	TTSVBL5-5S	5.10	10.00	9.00	27.00	6.00	6.40	3.60	1.00	
	01 17 04206	TTSVB5-5	5.30	9.00	7.00	25.50	13.00	6.40	3.40	1.00	
	01 17 04207	TTSVBL5-6	6.40	12.00	12.00	31.50	13.00	6.40	3.40	1.00	
	01 17 27073	TTSVBL5-6S	6.40	11.00	10.00	27.00	6.00	6.40	3.60	1.00	
	01 17 04208	TTSVB5-8	8.40	14.00	10.50	30.50	13.00	6.40	3.40	1.00	
	01 17 06871	TTSVB5-10	10.50	15.00	13.50	31.70	13.00	6.40	3.40	1.00	
8 - 10	01 17 06872	TTSVB8-5	5.30	10.50	8.10	31.00	17.00	8.50	4.50	1.20	
	01 17 04209	TTSVB8-6	6.40	10.80	8.60	31.00	17.00	8.50	4.50	1.20	
	01 17 27075	TTSVBL8-6L	6.50	16.00	11.00	36.00	8.00	8.50	4.50	1.20	
	01 17 27076	TTSVBL8-8	8.20	16.00	11.00	36.00	8.00	8.50	4.50	1.20	
14 - 16	01 17 04210	TTSVB14-6	6.40	11.00	10.70	37.00	22.00	10.50	5.80	1.50	
	01 17 04211	TTSVB14-8	8.40	13.80	10.70	37.00	22.00	10.50	5.80	1.50	

## Spade Terminals (Non-Insulated)

REACH CERTIFIED

- Brazed Seam
- Material: ETP-Copper
- Surface: Tin Plated

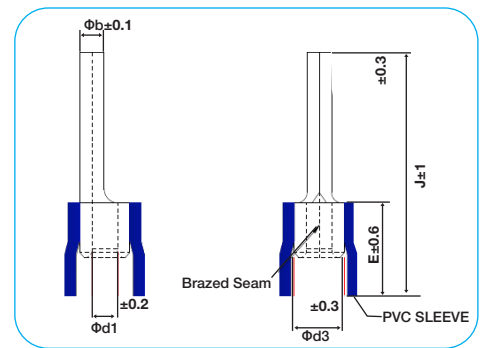


Conductors (mm <sup>2</sup> )	Article No.	Description	Stud Size	Dimension (mm)							
					Palm Width		Total Length		Barrel OD	Barrel ID	Thickness
				Brazed Seam	d2	W	F	L	E	D	d1
0.5 - 1.5	01 17 06873	TTSNB1.5-3.2	3.20	5.70	6.50	16.00	4.80	3.40	1.70	0.75	
	01 17 04228	TTSNBL1-3.7	3.70	6.40	6.50	16.00	4.80	3.40	1.70	0.75	
	01 17 04229	TTSNBL1-4	4.30	8.10	6.50	16.00	4.80	3.40	1.70	0.75	
	01 17 04230	TTSNBS1-5	5.30	8.10	6.50	16.00	4.80	3.40	1.70	0.75	

Conductors (mm <sup>2</sup> )	Article No.	Description	Stud Size	Dimension (mm)						
				Palm Width	Total Length	Barrel OD	Barrel ID	Thickness		
				Brazed Seam	d2	W	F	L	E	D
1.5 - 2.5	01 17 27030	TTSNBL 2-3.2	3.20	5.60	5.10	15.00	5.00	3.90	2.30	0.80
	01 17 10058	TTSNBL2-3.5	3.50	6.00	6.50	15.00	5.00	3.90	2.30	0.80
	01 17 04231	TTSNBL2-4	4.30	8.10	6.50	16.00	4.80	4.10	2.30	0.80
	01 17 27031	TTSNBL 2-5L	5.20	10.60	9.50	21.00	6.20	4.30	2.60	0.80
	01 17 04232	TTSNBL2-5	5.30	9.30	6.50	16.00	4.80	4.10	2.30	0.80
	01 17 04233	TTSNBS2-6	6.40	12.00	11.00	22.00	4.80	4.10	2.30	0.80
	01 17 27032	TTSNBL 2-6L	6.50	10.00	9.00	19.00	5.00	3.90	2.30	0.80
	01 17 06874	TTSNB2-8	8.40	14.00	10.50	23.50	6.00	5.60	2.80	1.30
4 - 6	01 17 27035	TTSNBL 5-3	3.00	6.00	5.00	15.00	6.00	5.60	3.60	1.00
	01 17 04234	TTSNBL5-4	4.30	9.00	7.00	18.30	6.00	5.60	3.40	1.00
	01 17 27033	TTSNBL 5-5S	5.00	10.00	9.00	20.00	6.00	5.60	3.60	1.00
	01 17 04235	TTSNB5-5	5.30	9.00	7.00	18.30	6.00	5.60	3.40	1.00
	01 17 27034	TTSNBL 5-6S	6.00	11.00	10.00	21.50	6.00	5.60	3.60	1.00
	01 17 04236	TTSNBL5-6	6.40	12.00	12.00	24.50	6.00	5.60	3.40	1.00
	01 17 04237	TTSNB5-8	8.40	14.00	10.50	23.50	6.00	5.60	3.40	1.00
	01 17 06875	TTSNB5-10	10.50	15.00	13.50	24.50	6.00	5.60	3.40	1.00
8 - 10	01 17 06876	TTSNB8-5	5.30	10.50	8.10	20.80	8.50	7.20	4.50	1.20
	01 17 27036	TTSNBL 8-6L	6.00	16.00	11.00	27.00	8.00	6.90	4.50	1.20
	01 17 27037	TTSNBL 8-8	6.00	16.00	11.00	27.00	8.00	6.90	4.50	1.20
	01 17 04238	TTSNB8-6	6.40	10.80	8.60	22.50	8.50	7.20	4.50	1.20
14 - 16	01 17 04239	TTSNB14-6	6.40	11.00	10.70	25.50	10.50	9.00	5.80	1.50
	01 17 04240	TTSNB14-8	8.40	13.80	10.70	28.50	10.50	9.00	5.80	1.50

## PIN Type (Insulated)

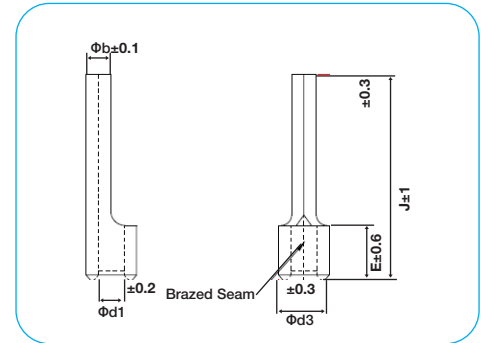
REACH CERTIFIED



Conductors (mm <sup>2</sup> )	Article No.	Description	Dimension (mm)					Max. Current (amp)	
			Insulated	d1	d3	b	J		E
0.5-1.5	01 17 08985	TTPTVB 1-12		1.6	3.2	1.9	17	5	9-18
2.5	01 17 08986	TTPTVB 2-12		2.3	3.9	1.9	17	5	18-30
4	01 17 08987	TTPTVB 4-14		2.9	4.9	2.7	20	6	12-10
6	01 17 08988	TTPTVB 5-14		3.6	5.6	2.7	20	6	12-10



## PIN Type (Non-Insulated)



Conductors (mm <sup>2</sup> )	Article No.	Description	Dimension (mm)					Max. Current (amp)
			Brazed Seam	d1	d3	b	J	
0.5-1.5	01 17 08205	TTPTNB 1-12	1.6	3.2	1.9	17	5	9-18
2.5	01 17 08206	TTPTNB 2-12	2.3	3.9	1.9	17	5	18-30
4	01 17 08207	TTPTNB 4-14	2.9	4.9	2.7	20	6	30-35
6	01 17 08208	TTPTNB 5-14	3.6	5.6	2.7	20	6	30-35
10	01 17 10060	TTPTNB 10	4.3	6.7	4.3	22	8	70
16	01 17 10061	TTPTNB 16	5.8	8.2	5.5	26	10	95
25	01 17 10062	TTPTNB 25	7.5	11.1	7	31	11	125
35	01 17 10063	TTPTNB 35	9	12.6	8	32	12	170

## Crimping Tools

**CR-2000A**  
CRIMPING ALL INSULATED TERMINALS



1. 22-16 AWG (1.25mm<sup>2</sup>)
2. 16-14 AWG (2mm<sup>2</sup>)
3. 12-10 AWG (5.5mm<sup>2</sup>)

**CR8-060**  
CRIMPING TERMINALS UP TO 6 mm<sup>2</sup>



1. 0.25mm<sup>2</sup>- 0.75mm<sup>2</sup>
2. 1.0mm<sup>2</sup>- 1.5mm<sup>2</sup>
3. 2.5mm<sup>2</sup>
4. 4.0mm<sup>2</sup>
5. 6.0mm<sup>2</sup>

**CR8-065**  
CRIMPING TERMINALS



1. 6mm<sup>2</sup>
2. 10mm<sup>2</sup>
3. 16mm<sup>2</sup>

**CR-2082**  
CRIMPING TERMINALS



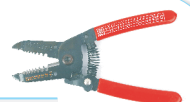
1. 0.5mm<sup>2</sup>
2. 0.75mm<sup>2</sup>
3. 1.0mm<sup>2</sup>
4. 1.5mm<sup>2</sup>
5. 2.5mm<sup>2</sup>
6. 4.0mm<sup>2</sup>

**CR-2001**  
8" 5-WAYS CRIMPING TOOL



1. Crimps insulated terminals
2. Bolts cutter
3. Crimps ignition terminals
4. Wire cutter
5. Wire stripper

**CR-2078C**  
WIRE STRIPPER / CUTTER



Model No.	Cut Range
2028C-1	10-20 AWG
2028C-2	10-22 AWG
2028C-3	16-26 AWG
2028C-4	20-30 AWG

**Trinity Touch Pvt. Ltd.**

www.trinitytouch.com

**INDIA**  
Delhi: Corporate Office  
D-10, Defence Colony, New Delhi 110024 INDIA  
Tel: +91.11.71200900  
Fax: +91.11.71200998  
E-mail: postmaster@trinitytouch.com

**Trinity Touch (EUROPE) Ltd.**

www.trinitytouch.co.uk

**UK**  
Unit-L, Tyson Courtyard, Weldon South Industrial Estate, Corby, Northants, N N18 8AZ, UK  
Tel: +44 (0) 1536 400 641  
Fax: +44 (0) 1536 268 043  
E-mail: gbsales@trinitytouch.com

