



# GIRISHEGO®

## SPACE HEATERS & THERMOSTATS



**(for Panel Board & Switchgear Industries)**

## SPACE HEATERS (WITH PERFORATED BODY)

'GIRISHEGO' Range of Space Heaters are ideal for prevention of condensation, corrosion. Leakage currents in L.T. & H.T. Switchgear panel boards / electronic instruments & panels etc.



**WORKING PRINCIPLE & FEATURES:** The specially developed design incorporates a stainless steel sheathed cartridge heating element in perforated sheet metal enclosure. A black powder coated finish ensures rapid heat dissipation. A 2 x 2.5 mm porcelain terminal block is provided for electrical connection. Mounting Holes are provided at one side.

Each heater is tested for following specific tests.

- 1) High Voltage Test At 2Kv/1Min
- 2) Insulation Resistance > 10 Mega Ohms.
- 3) Power Rating within  $\pm 5\%$ .

**INTENDED USE:** Prevention of condensation, corrosion, Leakage currents in L.T. & H.T. Switchgear panel boards / electronic instruments & panels etc.

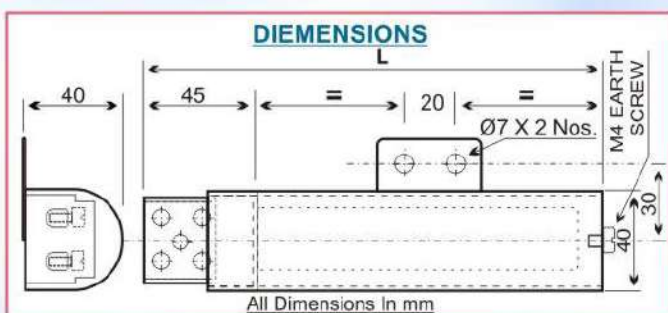
**INSTALLATION:** Two Holes of  $\varnothing 7\text{mm}$  are provided for mounting on one side of the heater. Installation can be done in vertical or horizontal position although horizontal mounting is preferred. Distance from surface of panel should be at least 10mm. and distance from plastic parts should be at least 50mm.

**REMARK:** It is recommended to use a thermostat to control the heater.

### Space heaters (with perforated body)

Type No.	Watts (At 230V AC)	Total Length(L)	Standard Packing
SH/004/145	40W	145 mm	25 Nos.
SH/006/145	60W	145 mm	25 Nos.
SH/008/145	80W	145 mm	25 Nos.
SH/010/175	100W	175 mm	25 Nos.
SH/015/235	150W	235 mm	25 Nos.
SH/020/275	200W	275 mm	25 Nos.
SH/025/275	250W	275 mm	25 Nos.
SH/030/275	300W	275 mm	25 Nos.

Also Available in 48V, 110V, 240V & 415V



## ALUMINIUM SPACE HEATER

'GIRISHEGO' Aluminium Space Heaters are ideal for prevention of condensation, corrosion. Leakage currents in L.T. & H.T. Switchgear panel boards / electronic instruments & panels etc.



**WORKING PRINCIPLE & FEATURES:** Body is made of anodized heat sink grade extruded aluminium for Fast dissipation of heat into air. High quality resistance heating element is insulated with mica for optimum insulation even in extreme humid conditions. Resistance element and insulation are held tight in between aluminium parts and squeezed for quick and uniform heating. Heater can withstand much higher degree of mechanical shock and vibration. Elevated body provides for easy passage of heat directly to air, without heating panel body.

Each heater is tested for following specific tests.

- 1) High Voltage Test At 2Kv/1Min
- 2) Insulation Resistance > 10 Mega Ohms.
- 3) Power Rating within  $\pm 5\%$ .

**INTENDED USE:** Prevention of condensation, corrosion, Leakage currents in L.T. & H.T. Switchgear panel boards, enclosures, switch boards, & electronic instruments etc.

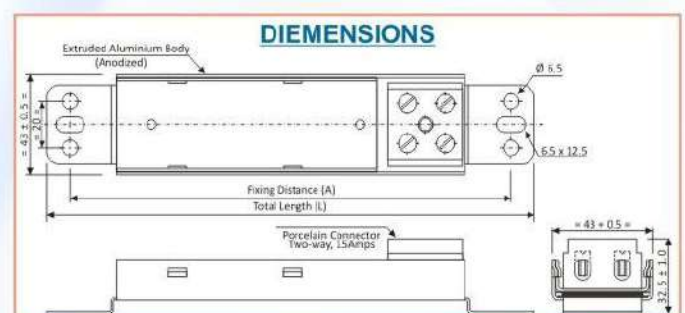
**INSTALLATION:** Two fixing oval holes of 6.5mmX12.5mm are provided at each end. Installation can be done in vertical or horizontal position although horizontal mounting is preferred. Distance from surface of panel should be at least 10mm. and distance from plastic parts should be at least 50mm.

**REMARK:** It is recommended to use a thermostat to control the heater.

### Aluminium Space heaters

Type No.	Watts (At 230V AC)	Total Length(L)	Fixing Hole C-to-C(A)	Standard Packing
SAL/003/240	30W	240 mm	220 mm $\pm 6$	25 Nos.
SAL/004/240	40W	240 mm	220 mm $\pm 6$	25 Nos.
SAL/005/210	50W	210 mm	190 mm $\pm 6$	25 Nos.
SAL/006/210	60W	210 mm	190 mm $\pm 6$	25 Nos.
SAL/008/210	80W	210 mm	190 mm $\pm 6$	25 Nos.
SAL/010/240	100W	240 mm	220 mm $\pm 6$	25 Nos.
SAL/012/240	120W	240 mm	220 mm $\pm 6$	25 Nos.
SAL/015/270	150W	270 mm	250 mm $\pm 6$	25 Nos.
SAL/018/300	180W	300 mm	280 mm $\pm 6$	25 Nos.
SAL/020/300	200W	300 mm	280 mm $\pm 6$	25 Nos.
SAL/025/330	250W	330 mm	310 mm $\pm 6$	25 Nos.
SAL/008/230	80W	230 mm(9")	210 mm $\pm 6$	25 Nos.

Also Available in 24V, 48V, 110V, 120V, 220V, 240V & 250V



## BOX TYPE SPACE HEATERS

'GIRISHEGO' Range of Space Heaters are ideal for prevention of condensation, corrosion. Leakage currents in L.T. & H.T. Switchgear panel boards / electronic instruments & panels etc.



**WORKING PRINCIPLE & FEATURES:** A specially developed design incorporates a high Quality mica insulated heating element in Aluminum enclosure. A 2 x 2.5 mm<sup>2</sup> terminal block is provided for electrical connection.

Each heater is tested for following specific tests:

- 1) High Voltage Test At 2Kv/1Min
- 2) Insulation Resistance > 10 Mega Ohms.
- 3) Power Rating within  $\pm 5\%$ .

**INTENDED USE:** Prevention of condensation, corrosion, Leakage currents in L.T. & H.T. Switchgear panel boards / electronic instruments & panels etc.

**INSTALLATION:** For mounting, two 8mmX17mm oval holes at each end at 180mm center distance are provided. Two screws of M-6 size or Equivalent can be use for installation. Installation can be done in vertical or horizontal position although horizontal mounting is preferred. Distance from surface of panel should be at least 10mm and distance from plastic parts should be at least 50mm.

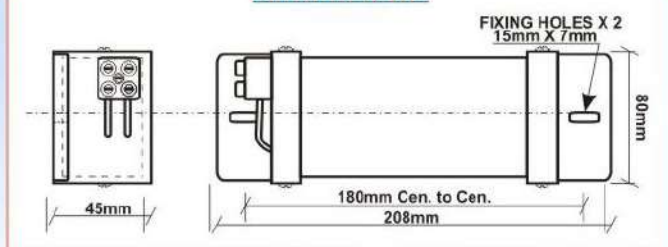
**REMARK:** It is recommended to use a thermostat to control the heater.

### Box type Space heaters

Type No.	Watts (At 240V AC)	Total Length(L)	Fixing holes Cen-to-Cen	Standard Packing
BOX-40	40W	208mm	180mm	25 Nos.
BOX-60	60W	208mm	180mm	25 Nos.
BOX-80	80W	208mm	180mm	25 Nos.
BOX-100	100W	208mm	180mm	25 Nos.

Also Available in 48V, 110V & 230V

### DIEMENSIONS



### ALSO AVAILABLE



## 'DLX' THERMOSTAT

'GIRISHEGO' thermostats are ideal for temperature control of space heaters used in LT & HT switchgear & panel boards etc.



With Side Fixing Bracket



With 'L' Fixing Bracket



**PRINCIPLE OF OPERATION:** With temp rise, the principle of differential expansion of brass tube and a Nickel/Iron (inver) Rod is used to actuate a highly accurate snap action micro gap switch located in the head which makes it keep the temperature constant within the differential i.e. a single pole, single throw, normally closed circuit breaks (opens) on rise of temperature.

**CONSTRUCTION:** The micro gap switch assembly is mounted on a heat resistant base, with rigid brass pillar terminals. Heavy duty Ag cdo contacts are provided for long trouble free life. A thermoplastic cover with clear and precise graduations is provided along with a setting knob. Optional bracket with two fixing oval holes of Dia. 5 x 8mm at a center distance of 58mm can be provided. Thermostat can be fixed in any position. These are available in standard stem lengths of 7" (175mm)

**INTENDED USE:** Temperature control of space heaters used in LT & HT switchgear & panel boards etc.

**INSTALLATION:** A spring steel clip is provided for snap on fixing of Thermostat, Optional bracket with two fixing holes of Dia. 5mm at a center distance of 58mm can be provided. It can be fixed in any position.

**ALSO AVAILABLE:**

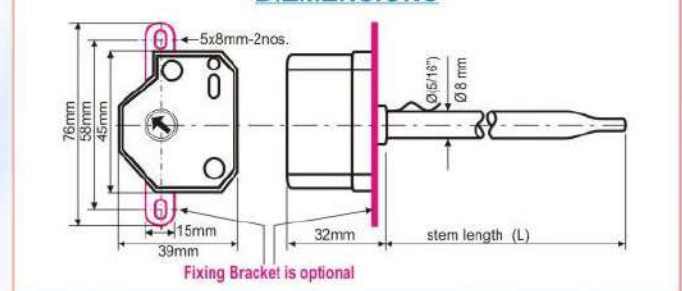
- 1) 48V, 110V & 415 V AC,
- 2) Stem length of 11" (275mm) & 5" (125mm).

### DLX Model Thermostat 15Amp-250V AC

Model No.	Stem Length(L).	Temp. Range	Standard Packing
* DLX-7	175mm	25-85°C	100 Nos.
DLX-5	125mm	30-80°C	100 Nos.

\* With ISI Mark

### DIEMENSIONS



## ROUND THERMOSTAT

'GIRISHEGO' thermostats are ideal for temperature control of space heaters used in LT & HT switchgear & panel boards etc.



**PRINCIPLE OF OPERATION:** With temp rise, the principle of differential expansion of brass tube and a Nickel/Iron (inver) Rod is used to actuate a highly accurate snap action micro gap switch located in the head which makes it keep the temperature constant within the differential i.e. a single pole, single throw, normally closed circuit breaks (opens) on rise of temperature.

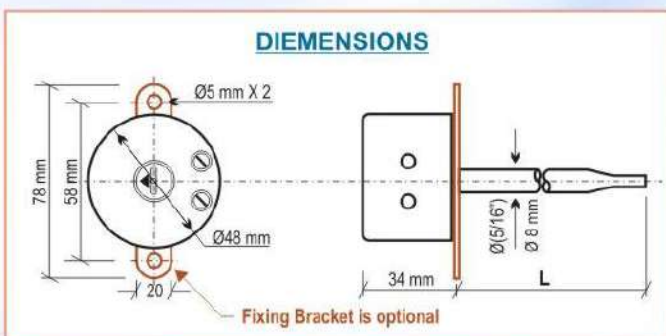
**CONSTRUCTION:** The micro gap switch assembly is mounted on a heat resistant base, with rigid brass pillar terminals. Heavy duty Ag cdo contacts are provided for long trouble free life. A thermostetting cover with clear and precise graduations is provided along with a setting knob. Optional bracket with two fixing holes of Dia. 5mm at a center distance of 58mm can be provided. Thermostat can be fixed in any position. These are available in standard stem lengths of 7"(175mm)

**INTENDED USE:** Temperature control of space heaters used in LT & HT switchgear & panel boards etc.

**INSTALLATION:** A spring steel clip is provided for snap on fixing of Thermostat, Optional bracket with two fixing holes of Dia. 5mm at a center distance of 58mm can be provided. It can be fixed in any position.

**ALSO AVAILABLE:**

- 1) 48V, 110V & 415VAC,
- 2) Stem length of 11" (275mm) & 5" (125mm).
- 3) Normally open contacts (N.O.C)



**With Fixing Bracket**



**Round Shape Thermostat 15amp-250v Ac**

Model No.	Stem Length(L).	Temp. Range	Standard Packing
* 205-C	175mm	25-85°C	50 Nos.
200-C	175mm	0-60°C	25 Nos.
* With ISI & CE Mark			

**TECHNICAL DATA:**

**CONTACT RATING:** 250V AC - 15 Amps Max.

**CONTACT TYPE:** Single Pole Single Throw (SPST)

**FUNCTION:** Breaks On Temp. Rise, Make On Temp. Fall.

**TEMP. RANGE:** 25-85°C, 0-60°C,

**DIFFERENTIAL:** 3-10C or 5% of the Temperature Range

**MATERIAL:** Brass, Inver, DMC, PF, MS

**STEM LENGTH:** 175mm (7"), 275mm(11"),

**ON REQUEST:** 100mm(4"), 125mm (5")

**STEM DIA:** 7.9mm (5/16")

**ADJUSTMENT:** Control Knob

**CONNECTIONS:** Pillar Terminals

**MOUNTING:** Spring Steel Clip

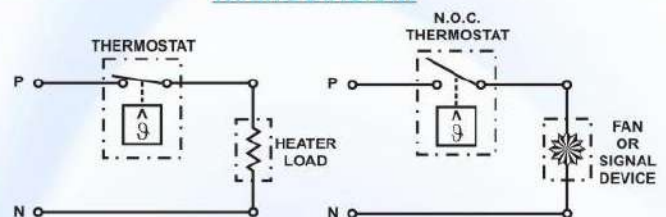
Or Bracket With Two Fixing Holes.

**MAX. HEAD TEMP.:** T85

**DIELECTRIC STRENGTH:** 2KV

**APPROVALS:** ISI, CE (On select models)

**WIRING DIAGRAM**



Mfd & Exported by:

**GIRISH EGO CONTROLS**

31, Tavawala Bldg., 147, Lohar Chawl, Mumbai - 400002, INDIA.  
 TEL: 91 - 22 - 2206 8032 / 2208 3857. FAX : 91 - 22 - 2209 6234  
 E-MAIL: info@girishego.com • WEB SITE: www.girishego.com