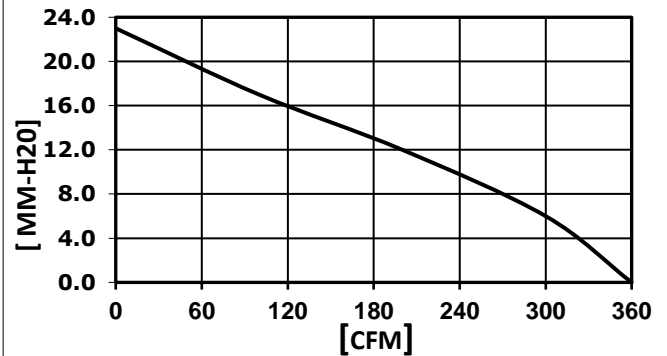


AC Compact Fans-22A

Ø220 x 60 mm

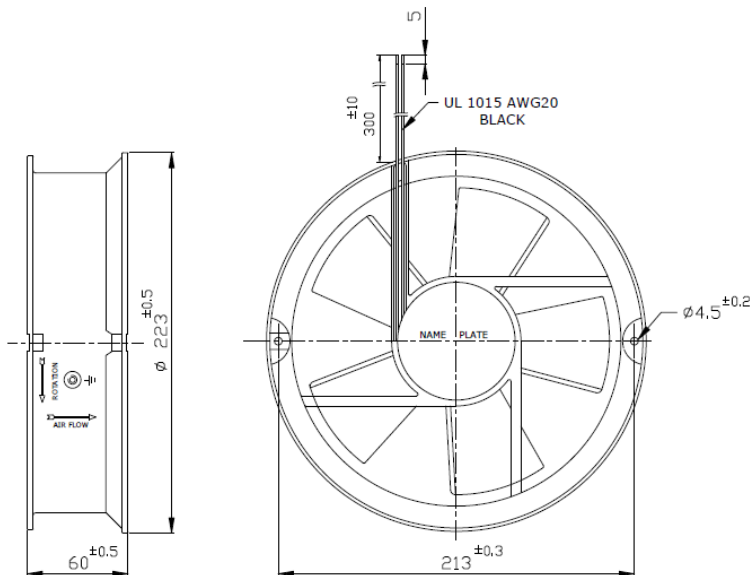


Bearing System : Ball
Blade : PBT (Polybutylene terephthalate)
Motor : Self-starting Shaded-pole Motor
Housing : Die Cast Aluminium
Motor Protection: Impedance Protected

Dielectric Strength : 1.5K V AC for 1 min
Insulation Class : Class B
Operating Temperature: - 20 TO + 70°C
Product Life : 50,000 hours (At 40 °C)

Model	Voltage	Frequency	Current	Speed	Watt	Air Flow	Static Pressure	Noise	Approvals
	V AC	Hz	mA	RPM	W	CFM	mm H ₂ O	dBA	
22A115HBAC-R	115	50	640	2300	50	360	23	56	UL,CE
22A230HBAC-R	230	50	320	2300	50	360	23	56	UL,CE
22A415HBAC-R	415	50	200	2300	50	360	23	56	CE

Drawing:-



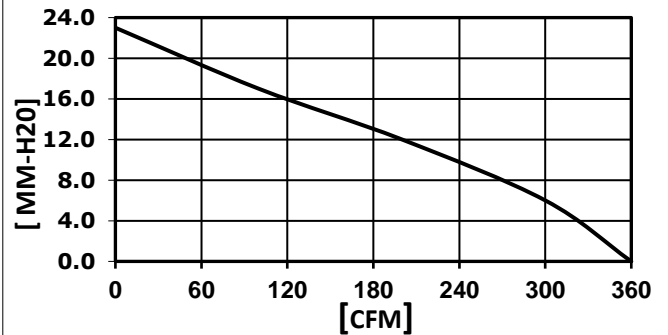
Name Plate:-



Note:-
As Part of a green initiative, Hicool is constantly working to reduce power consumption without altering fan motor Performance. Actual Current & Wattage readings Can be lower than mentioned in datasheet & fan name plate.

AC Compact Fans-22A

220 x 220 x 60 mm

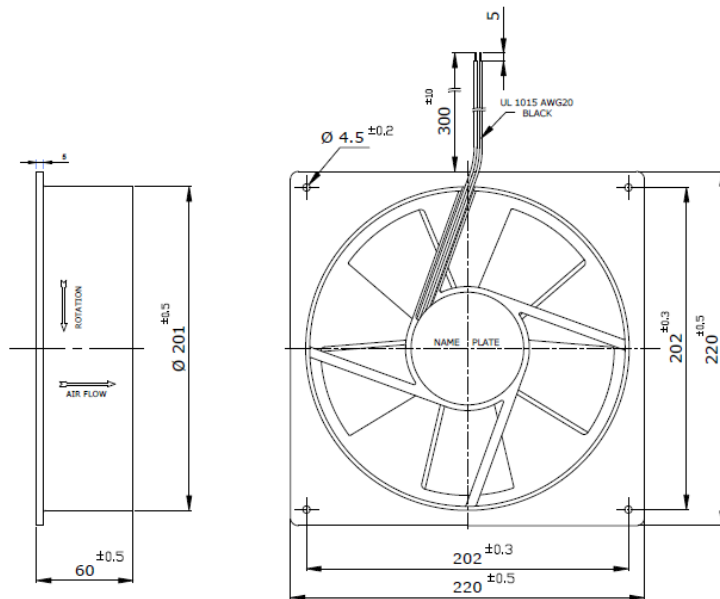


Bearing System : Ball
Blade : PBT (Polybutylene terephthalate)
Motor : Self-starting Shaded-pole Motor
Housing : Die Cast Aluminium
Motor Protection: Impedance Protected

Dielectric Strength : 1.5K V AC for 1 min
Insulation Class : Class B
Operating Temperature: - 20 TO + 70°C
Product Life : 50,000 hours (At 40 °C)

Model	Voltage	Frequency	Current	Speed	Watt	Air Flow	Static Pressure	Noise	Approvals
	V AC	Hz	mA	RPM	W	CFM	mm H ₂ O	dBA	
22A115HBAC-S	115	50	640	2300	50	360	23	56	UL,CE
22A230HBAC-S	230	50	320	2300	50	360	23	56	UL,CE
22A415HBAC-S	415	50	200	2300	50	360	23	56	CE

Drawing:-



Name Plate:-



TRACEABILITY
BARCODE
VARIABLE DATA

Note:-

As Part of a green initiative, Hicool is constantly working to reduce power consumption without altering fan motor Performance. Actual Current & Wattage readings Can be lower than mentioned in datasheet & fan name plate.

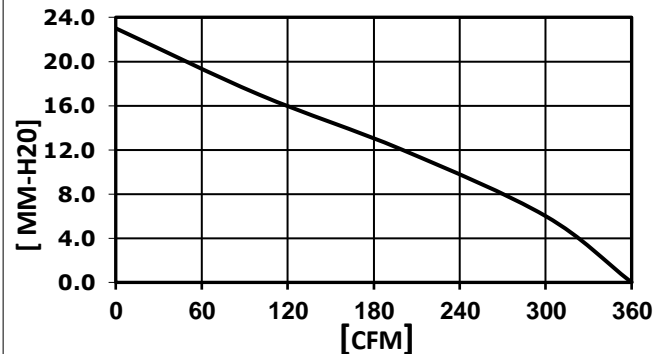


www.hicoolfans.com

REV NO:-02
DATE:- 28-07-2021

AC Compact Fans-22A

Ø220 x 60 mm

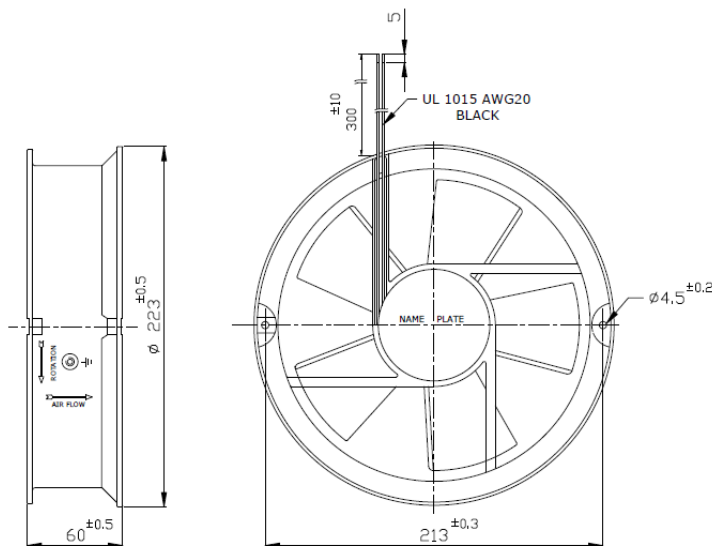


Bearing System : Sleeve
Blade : PBT (Polybutylene terephthalate)
Motor : Self-starting Shaded-pole Motor
Housing : Die Cast Aluminium
Motor Protection: Impedance Protected

Dielectric Strength : 1.5K V AC for 1 min
Insulation Class : Class B
Operating Temperature: - 20 TO + 70°C
Product Life : 30,000 hours (At 40 °C)
Ingress Protection (IP) : 32

Model	Voltage	Frequency	Current	Speed	Watt	Air Flow	Static Pressure	Noise	Approvals
	V AC	Hz	mA	RPM	W	CFM	mm H ₂ O	dBA	
22A115HSAC-R	115	50	550	2300	50	360	23	56	UL,CE
22A230HSAC-R	230	50	320	2300	50	360	23	56	UL,CE
22A415HSAC-R	415	50	200	2300	50	360	23	56	CE

Drawing:-



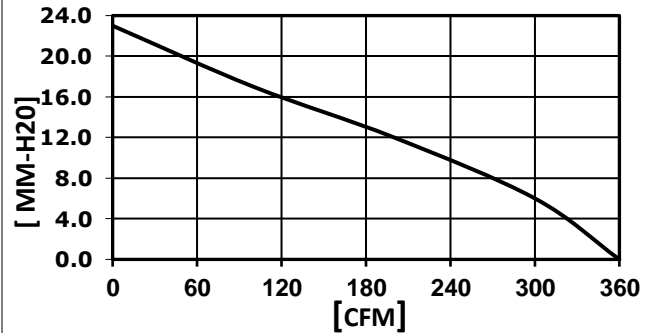
Name Plate:-



Note:-
 As Part of a green initiative, Hicool is constantly working to reduce power consumption without altering fan motor Performance. Actual Current & Wattage readings Can be lower than mentioned in datasheet & fan name plate.

AC Compact Fans-22A

220 x 220 x 60 mm

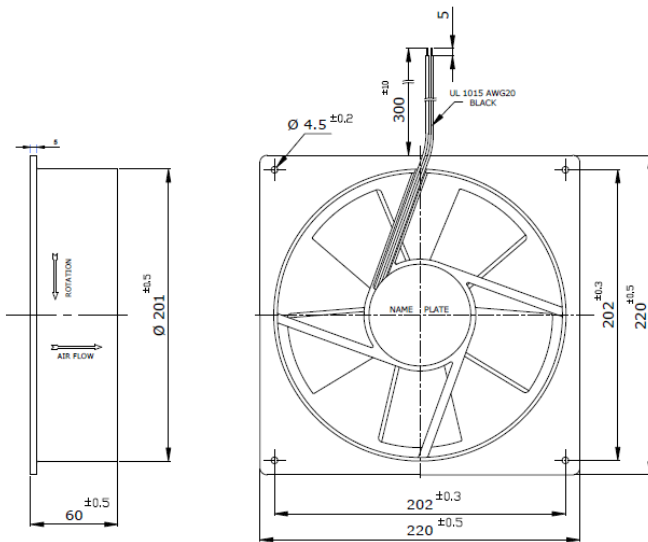


Bearing System : Sleeve
Blade : PBT (Polybutylene terephthalate)
Motor : Self-starting Shaded-pole Motor
Housing : Die Cast Aluminium
Motor Protection: Impedance Protected

Dielectric Strength : 1.5K V AC for 1 min
Insulation Class : Class B
Operating Temperature: - 20 TO + 70°C
Product Life : 30,000 hours (At 40 °C)
Ingress Protection (IP) : 32

Model	Voltage	Frequency	Current	Speed	Watt	Air Flow	Static Pressure	Noise	Approvals
	V AC	Hz	mA	RPM	W	CFM	mm H ₂ O	dBA	
22A115HSAC-S	115	50	550	2300	50	360	23	56	UL,CE
22A230HSAC-S	230	50	320	2300	50	360	23	56	UL,CE
22A415HSAC-S	415	50	200	2300	50	360	23	56	CE

Drawing:-



Name Plate:-



Note:-
 As Part of a green initiative, Hicool is constantly working to reduce power consumption without altering fan motor Performance. Actual Current & Wattage readings Can be lower than mentioned in datasheet & fan name plate.