

2023 - 2024



PRECISION[®]

Pipes | Desh ki Lifeline



Electrical Catalogue

1978 - The year when Precision Pipes was incorporated with a mission and vision to be the lifeline of every building and bring every home to life.

Cut to the present day where, as our tagline would have it, Precision Pipes has become the 'Desh ki lifeline'.

Our journey so far has been all about innovation, understanding the need of the hour and promptly acting upon it, and changing the overall consumer perception about the category with our wide range of products.

We started off with a range of electrical piping systems including Round Conduit uPVC Pipes, G.I. & M.S. Conduit Pipes, uPVC Mini /Maxi Trunking Profile, uPVC Panel Trunking, Corrugated Flexible Conduit Pipes and Fittings.

We've also diversified our offerings so as to cater to a wider audience looking for plumbing piping systems, with our CPVC, ASTM (uPVC), Sewerage Waste and Rainwater (SWR), Agriculture uPVC Pipes and Fittings.

To be the 'Desh ki lifeline', it was imperative for us to be connected with the country right from the grassroots level. So we built large scale manufacturing locations at Daman, Bengaluru, & Haridwar.

We've also built a strong distribution network that adheres to national and international standards recognized by leading consultants, architects, construction industries, government departments, defense, railways and automobile industries.

Also, all our products comply with major national and international standards like the ISO 9001: 2015, IS (Indian Standard), BS (British Standard) and CE for Low Voltage Directive.

This has ensured that consumers can buy our products through a dedicated sales network in India as well as in Europe, Middle East, Africa etc.

Last but not least, we've come a long way in our journey so far, but we at Precision Pipes continue to innovate every single day to keep on being 'Saare desh ki lifeline'.

Kunal S. Kadakia

DIRECTOR'S NOTE

INDEX

- 02 Round Conduit uPVC Pipes & Fittings
- 15 All Weather Boxes
- 19 G.I & M.S. Conduit Pipes & Fittings
- 24 uPVC Mini/Maxi Trunking Profile & Fittings
- 30 Metallic Cable Management System
- 38 uPVC Panel Trunking
- 43 Corrugated Flexible Conduit Pipes & Fittings
- 47 Technical Data



ROUND CONDUIT uPVC PIPES & FITTINGS

Precision Round Conduit uPVC Pipes and Fittings are manufactured from a specially formulated unplasticised polyvinyl chloride (uPVC) to meet the most stringent Indian and International standards. Our products are made of extra super high impact material which make them safe to use in harsh environments. The products are manufactured in accordance with IS 9537 - Part 3, BS EN 61386-21 for uPVC conduits, IS 3419:1988 and BS 4607 for uPVC fittings.



1st time in India

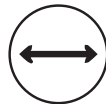
Our Premium range of TRANSPARENT ROUND CONDUIT uPVC PIPES AND FITTINGS are also available in Red, Green, Blue & Yellow colours on request.

Applications

Channelising concealed and surface wiring.
Telecommunication and cable ducting.

DIMENSIONS OF ROUND CONDUIT uPVC PIPES IS 9537 - PART 3					
Nominal Size (mm)	Outside Diameter (mm)	Tolerance on Outside Diameter (mm)	Inside Diameter (Min.) (mm)		
			Light	Medium	Heavy
20	20	-0.3	17.4	16.9	15.8
25	25	-0.4	22.1	21.4	20.6
32	32	-0.4	28.6	27.8	26.6
40	40	-0.4	35.8	35.4	34.4
50	50	-0.5	45.1	44.3	43.2
63	63	-0.6	57.0	-	-
#SPECIAL SIZES					
19	19	-0.3	16.5	16.0	15.1
38	38	-0.4	33.7	33.4	32.4

Features



Various Diameters & Grades



Fire retardant & corrosion free



Easy and quick installation



Thermal resistant
(-5° C to +60° C)

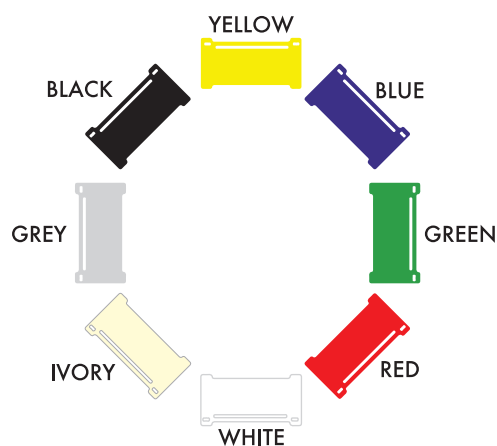


Durable & Impact resistant



Laser Engraved Pipe

- Light, medium and heavy mechanical stress, to suit various applications and site conditions
- Wide range of component maximises application
- Precision circular boxes and adaptable boxes are provided with M4 brass insert with a load suspension capacity of 3 Kgs at +60° C



ROUND CONDUIT uPVC PIPES (SOCKETED)

HSN : 39172310



FRLS CE U.V.S.

SR. NO.	PRODUCT CODE	SIZE	STANDARD PACK		NORTH INDIA PACK
		OD (mm)	Pc. x Mtr.	Mtr. / Bdl.	Mtr. / Bdl.
LMS (LIGHT MECHANICAL STRESS)					
# 1	PRCS 19L	19	100 x 3m	300	-
# 2	PRCS 19LNI	19	40 x 3m	-	120
3	PRCS 20L	20	100 x 3m	300	-
4	PRCS 20LNI	20	40 x 3m	-	120
5	PRCS 25L	25	100 x 3m	300	-
6	PRCS 25LNI	25	25 x 3m	-	75
7	PRCS 32L	32	50 x 3m	150	-
8	PRCS 32LNI	32	10 x 3m	-	30
# 9	PRCS 38L	38	30 x 3m	90	-
10	PRCS 40L	40	25 x 3m	75	-
11	PRCS 40LNI	40	5 x 3m	-	15
12	PRCS 50L	50	20 x 3m	60	-
13	PRCS 50LNI	50	5 x 3m	-	15
14	PRCS 63L	63	18 x 3m	54	-

SR. NO.	PRODUCT CODE	SIZE	STANDARD PACK		NORTH INDIA PACK
		OD (mm)	Pc. x Mtr.	Mtr. / Bdl.	Mtr. / Bdl.
MMS (MEDIUM MECHANICAL STRESS)					
# 15	PRCS 19M	19	100 x 3m	300	-
# 16	PRCS 19MNI	19	40 x 3m	-	120
17	PRCS 20M	20	100 x 3m	300	-
18	PRCS 20MNI	20	40 x 3m	-	120
19	PRCS 25M	25	100 x 3m	300	-
20	PRCS 25MNI	25	25 x 3m	-	75
21	PRCS 32M	32	50 x 3m	150	-
22	PRCS 32MNI	32	10 x 3m	-	30
# 23	PRCS 38M	38	30 x 3m	90	-
24	PRCS 40M	40	25 x 3m	75	-
25	PRCS 40MNI	40	5 x 3m	-	15
26	PRCS 50M	50	20 x 3m	60	-
27	PRCS 50MNI	50	5 x 3m	-	15

SR. NO.	PRODUCT CODE	SIZE	STANDARD PACK		NORTH INDIA PACK
		OD (mm)	Pc. x Mtr.	Mtr. / Bdl.	Mtr. / Bdl.
HMS (HEAVY MECHANICAL STRESS)					
# 28	PRCS 19H	19	100 x 3m	300	-
# 29	PRCS 19HNI	19	40 x 3m	-	120
30	PRCS 20H	20	100 x 3m	300	-
31	PRCS 20HNI	20	40 x 3m	-	120
32	PRCS 25H	25	50 x 3m	150	-
33	PRCS 25HNI	25	25 x 3m	-	75
34	PRCS 32H	32	50 x 3m	150	-
35	PRCS 32HNI	32	10 x 3m	-	30
# 36	PRCS 38H	38	30 x 3m	90	-
37	PRCS 40H	40	25 x 3m	75	-
38	PRCS 40HNI	40	5 x 3m	-	15
39	PRCS 50H	50	20 x 3m	60	-
40	PRCS 50HNI	50	5 x 3m	-	15

SR. NO.	PRODUCT CODE	SIZE	STANDARD PACK		NORTH INDIA PACK
		OD (mm)	Pc. x Mtr.	Mtr. / Bdl.	Mtr. / Bdl.
LMS (LIGHT MECHANICAL STRESS) ≈ FRLS ☿ UVS CE 					
# 41	PFRL 19LS	19	100 x 3m	300	-
# 42	PFRL 19LSNI	19	40 x 3m	-	120
43	PFRL 20LS	20	100 x 3m	300	-
44	PFRL 20LSNI	20	40 x 3m	-	120
45	PFRL 25LS	25	100 x 3m	300	-
46	PFRL 25LSNI	25	25 x 3m	-	75
47	PFRL 32LS	32	50 x 3m	150	-
48	PFRL 32LSNI	32	10 x 3m	-	30
# 49	PFRL 38LS	38	30 x 3m	90	-
50	PFRL 40LS	40	25 x 3m	75	-
51	PFRL 40LSNI	40	5 x 3m	-	15
52	PFRL 50LS	50	20 x 3m	60	-
53	PFRL 50LSNI	50	5 x 3m	-	15
54	PFRL 63LS	63	18 x 3m	54	-

SR. NO.	PRODUCT CODE	SIZE	STANDARD PACK		NORTH INDIA PACK
		OD (mm)	Pc. x Mtr.	Mtr. / Bdl.	Mtr. / Bdl.
MMS (MEDIUM MECHANICAL STRESS) ≈ FRLS ☿ UVS CE 					
# 55	PFRL 19MS	19	100 x 3m	300	-
# 56	PFRL 19MSNI	19	40 x 3m	-	120
57	PFRL 20MS	20	100 x 3m	300	-
58	PFRL 20MSNI	20	40 x 3m	-	120
59	PFRL 25MS	25	100 x 3m	300	-
60	PFRL 25MSNI	25	25 x 3m	-	75
61	PFRL 32MS	32	50 x 3m	150	-
62	PFRL 32 MSNI	32	10 x 3m	-	30
# 63	PFRL 38MS	38	30 x 3m	90	-
64	PFRL 40MS	40	25 x 3m	75	-
65	PFRL 40MSNI	40	5 x 3m	-	15
66	PFRL 50MS	50	20 x 3m	60	-
67	PFRL 50MSNI	50	5 x 3m	-	15

SR. NO.	PRODUCT CODE	SIZE	STANDARD PACK		NORTH INDIA PACK
		OD (mm)	Pc. x Mtr.	Mtr. / Bdl.	Mtr. / Bdl.
HMS (HEAVY MECHANICAL STRESS) ≈ FRLS ☿ UVS CE 					
# 68	PFRL 19HS	19	100 x 3m	300	-
# 69	PFRL 19HSNI	19	40 x 3m	-	120
70	PFRL 20HS	20	100 x 3m	300	-
71	PFRL 20HSNI	20	40 x 3m	-	120
72	PFRL 25HS	25	50 x 3m	150	-
73	PFRL 25HSNI	25	25 x 3m	-	75
74	PFRL 32HS	32	50 x 3m	150	-
75	PFRL 32HSNI	32	10 x 3m	-	30
# 76	PFRL 38HS	38	30 x 3m	90	-
77	PFRL 40HS	40	25 x 3m	75	-
78	PFRL 40HSNI	40	5 x 3m	-	15
79	PFRL 50HS	50	20 x 3m	60	-
80	PFRL 50HSNI	50	5 x 3m	-	15

#Special Size

≈ FRLS: Fire Retardant - Low Smoke

☿ UVS: Ultra Violet Stabilised

Lead Free for Green Environment

ROUND CONDUIT uPVC PIPES

(SOCKETED) FRLS

HSN : 39172310

SPECIAL SIZES



SR. NO.	PRODUCT CODE	SIZE OD (mm)	STANDARD PACK	
			Pc. x Mtr.	Mtr. / Bdl.
# 81	PRCS 19SPL	19 x 1mm	100 x 3m	300
# 82	PRCS 25SPL	25 x 1mm	100 x 3m	300

#Special Size

ROUND CONDUIT uPVC PIPE FITTINGS

HSN : 73201019



BENDING SPRING

SR. NO.	PRODUCT CODE	SIZE OD (mm)	COLOUR	STANDARD PACK	
				Pc./Bag	Pc./Carton
LIGHT GAUGE					
83	PBS20L	20	Black	10	50
84	PBS25L	25	Black	5	25
MEDIUM GAUGE					
85	PBS20M	20	Silver	10	50
86	PBS25M	25	Silver	5	25
HEAVY GAUGE					
87	PBS20H	20	Gold	10	50
88	PBS25H	25	Gold	5	25



ØSuitable for 19mm LMS and 19mm MMS conduits also.

IS:3419



1988

ROUND CONDUIT uPVC PIPE FITTINGS

HSN : 39174000



CIRCULAR BOX WITHOUT LID

CIRCULAR BOX



SR. NO.	PRODUCT CODE	SIZE OD (mm)	STANDARD PACK	
			Pc./Box	Pc./Carton
89	PRCB 191	19	20	600
90	PRCB 201	20	20	600
91	PRCB 251	25	15	450
92	PRCB 321	32	10	160
93	PRCB 401	40	10	160
94	PRCB 501	50	5	80

TERMINAL - 1 WAY

CIRCULAR BOX



SR. NO.	PRODUCT CODE	SIZE OD (mm)	STANDARD PACK	
			Pc./Box	Pc./Carton
101	PRCB 192S	19	20	400
102	PRCB 202S	20	20	400
103	PRCB 252S	25	15	300
104	PRCB 322S	32	10	160
105	PRCB 402S	40	10	160
106	PRCB 502S	50	5	80

THROUGH - 2 WAY

CIRCULAR BOX



SR. NO.	PRODUCT CODE	SIZE OD (mm)	STANDARD PACK	
			Pc./Box	Pc./Carton
95	PRCB 192A	19	20	400
96	PRCB 202A	20	20	400
97	PRCB 252A	25	15	300
98	PRCB 322A	32	10	160
99	PRCB 402A	40	10	160
100	PRCB 502A	50	5	80

ANGLE - 2 WAY

CIRCULAR BOX



SR. NO.	PRODUCT CODE	SIZE OD (mm)	STANDARD PACK	
			Pc./Box	Pc./Carton
107	PRCB 193	19	20	400
108	PRCB 203	20	20	400
109	PRCB 253	25	15	300
110	PRCB 323	32	10	160
111	PRCB 403	40	10	160
112	PRCB 503	50	5	80

TEE - 3 WAY

IS:3419



1988

ROUND CONDUIT uPVC PIPE FITTINGS

HSN : 39174000

BLACK

GREY

IVORY

WHITE

CIRCULAR BOX WITHOUT LID

CIRCULAR BOX



SR. NO.	PRODUCT CODE	SIZE	STANDARD PACK	
		OD (mm)	Pc./Box	Pc./Carton
113	PRCB 194	19	20	400
114	PRCB 204	20	20	400
115	PRCB 254	25	15	240
116	PRCB 324	32	10	160
117	PRCB 404	40	10	160
118	PRCB 504	50	5	80

INTERSECTION - 4 WAY

DEEP CIRCULAR BOX



SR. NO.	PRODUCT CODE	SIZE	STANDARD PACK	
		OD (mm)	Pc./Box	Pc./Carton
131	PRCB 193D	19	10	220
132	PRCB 203D	20	10	220
133	PRCB 253D	25	10	220
134	PRCB 323D	32	10	160

TEE - 3 WAY

DEEP CIRCULAR BOX



SR. NO.	PRODUCT CODE	SIZE	STANDARD PACK	
		OD (mm)	Pc./Box	Pc./Carton
119	PRCB 191D	19	10	280
120	PRCB 201D	20	10	280
121	PRCB 251D	25	10	280
122	PRCB 321D	32	10	280

TERMINAL - 1 WAY

DEEP CIRCULAR BOX



SR. NO.	PRODUCT CODE	SIZE	STANDARD PACK	
		OD (mm)	Pc./Box	Pc./Carton
135	PRCB 194D	19	10	220
136	PRCB 204D	20	10	220
137	PRCB 254D	25	10	220
138	PRCB 324D	32	10	160

INTERSECTION - 4 WAY

DEEP CIRCULAR BOX



SR. NO.	PRODUCT CODE	SIZE	STANDARD PACK	
		OD (mm)	Pc./Box	Pc./Carton
123	PRCB 192AD	19	10	280
124	PRCB 202AD	20	10	280
125	PRCB 252AD	25	10	280
126	PRCB 322AD	32	10	280

ANGLE - 2 WAY

CIRCULAR BOX



SR. NO.	PRODUCT CODE	SIZE	STANDARD PACK	
		OD (mm)	Pc./Box	Pc./Carton
139	PRCB 19U	19	20	400
140	PRCB 20U	20	20	400
141	PRCB 25U	25	20	400

BRANCH - 2 WAY (U)

DEEP CIRCULAR BOX



SR. NO.	PRODUCT CODE	SIZE	STANDARD PACK	
		OD (mm)	Pc./Box	Pc./Carton
127	PRCB 192SD	19	10	200
128	PRCB 202SD	20	10	200
129	PRCB 252SD	25	10	200
130	PRCB 322SD	32	10	200

THROUGH - 2 WAY

CIRCULAR BOX



SR. NO.	PRODUCT CODE	SIZE	STANDARD PACK	
		OD (mm)	Pc./Box	Pc./Carton
142	PRCB 19Y	19	20	400
143	PRCB 20Y	20	20	400
144	PRCB 25Y	25	15	300

BRANCH - 3 WAY (Y)

IS:3419



1988

ROUND CONDUIT uPVC PIPE FITTINGS

HSN : 39174000

BLACK

GREY

IVORY

WHITE

CIRCULAR BOX WITHOUT LID



CIRCULAR BOX

SR. NO.	PRODUCT CODE	SIZE	STANDARD PACK	
		OD (mm)	Pc./Box	Pc./Carton
145	PRCB 19H	19	15	300
146	PRCB 20H	20	15	300
147	PRCB 25H	25	15	300

BRANCH - 4 WAY (H)



CIRCULAR BOX

SR. NO.	PRODUCT CODE	SIZE	STANDARD PACK	
		OD (mm)	Pc./Box	Pc./Carton
154	PRCB 203 BO	20	20	400
155	PRCB 253 BO	25	15	300

BACK OUTLET TEE - 3 WAY



CIRCULAR BOX

SR. NO.	PRODUCT CODE	SIZE	STANDARD PACK	
		OD (mm)	Pc./Box	Pc./Carton
148	PRCB 201 BO	20	20	400
149	PRCB 251 BO	25	15	300

BACK OUTLET - 1 WAY



CIRCULAR LID

SR. NO.	PRODUCT CODE	SIZE	STANDARD PACK	
		OD (mm)	Pc./Box	Pc./Carton
>> 156	PRCL65	65	100	2000
⊗ 157	PRCL80	80	100	2000
158	PRCL85	85	100	2000
159	PRCL90	90	100	1800
~ 160	PRCL93	93	25	750
161	PRCL110	110	50	900

WITH SCREW



CIRCULAR BOX

SR. NO.	PRODUCT CODE	SIZE	STANDARD PACK	
		OD (mm)	Pc./Box	Pc./Carton
150	PRCB 202S BO	20	20	400
151	PRCB 252S BO	25	15	300

BACK OUTLET THROUGH - 2 WAY



CIRCULAR LID

SR. NO.	PRODUCT CODE	SIZE	STANDARD PACK	
		OD (mm)	Pc./Box	Pc./Carton
>> 162	PRCL65WS	65	100	2000
⊗ 163	PRCL80WS	80	100	2000
164	PRCL85WS	85	100	2000
165	PRCL90WS	90	100	1800
~ 166	PRCL93WS	93	25	750
167	PRCL110WS	110	50	900

WITHOUT SCREW



CIRCULAR BOX

SR. NO.	PRODUCT CODE	SIZE	STANDARD PACK	
		OD (mm)	Pc./Box	Pc./Carton
152	PRCB 202A BO	20	20	400
153	PRCB 252A BO	25	15	300

BACK OUTLET ANGLE - 2 WAY

>> 65 - For 19/20/25mm JB, DJB & 32 DJB

⊗ 80 - For 32/40mm JB

~ 93 - For 50mm JB

IS:3419



1988

ROUND CONDUIT UPVC PIPE FITTINGS

HSN : 39174000

BLACK

GREY

IVORY

WHITE

CIRCULAR BOX WITH LID & SCREW

CIRCULAR BOX



SR. NO.	PRODUCT CODE	SIZE	STANDARD PACK	
		OD (mm)	Pc./Box	Pc./Carton
168	PRCB 191L	19	20	600
169	PRCB 201L	20	20	600
170	PRCB 251L	25	15	450
171	PRCB 321L	32	10	160
172	PRCB 401L	40	10	160
173	PRCB 501L	50	5	80

TERMINAL - 1 WAY

CIRCULAR BOX



SR. NO.	PRODUCT CODE	SIZE	STANDARD PACK	
		OD (mm)	Pc./Box	Pc./Carton
184	PRCB 192SL	19	20	400
185	PRCB 202SL	20	20	400
186	PRCB 252SL	25	15	300
187	PRCB 322SL	32	10	160
188	PRCB 402SL	40	10	160
189	PRCB 502SL	50	5	80

THROUGH - 2 WAY

CIRCULAR BOX



SR. NO.	PRODUCT CODE	SIZE	STANDARD PACK	
		OD (mm)	Pc./Box	Pc./Carton
174	PRCB 201AL	20	20	360
175	PRCB 251AL	25	15	270

TERMINAL - 1 WAY (AUTO LID W/O SCREW)

CIRCULAR BOX



SR. NO.	PRODUCT CODE	SIZE	STANDARD PACK	
		OD (mm)	Pc./Box	Pc./Carton
190	PRCB 202SAL	20	15	270
191	PRCB 252SAL	25	10	180

THROUGH - 2 WAY (AUTO LID W/O SCREW)

CIRCULAR BOX



SR. NO.	PRODUCT CODE	SIZE	STANDARD PACK	
		OD (mm)	Pc./Box	Pc./Carton
176	PRCB 192AL	19	20	400
177	PRCB 202AL	20	20	400
178	PRCB 252AL	25	15	300
179	PRCB 322AL	32	10	160
180	PRCB 402AL	40	10	160
181	PRCB 502AL	50	5	80

ANGLE - 2 WAY

CIRCULAR BOX



SR. NO.	PRODUCT CODE	SIZE	STANDARD PACK	
		OD (mm)	Pc./Box	Pc./Carton
192	PRCB 193L	19	20	400
193	PRCB 203L	20	20	400
194	PRCB 253L	25	15	300
195	PRCB 323L	32	5	110
196	PRCB 403L	40	5	110
197	PRCB 503L	50	5	80

TEE - 3 WAY

CIRCULAR BOX



SR. NO.	PRODUCT CODE	SIZE	STANDARD PACK	
		OD (mm)	Pc./Box	Pc./Carton
182	PRCB 202AAL	20	15	270
183	PRCB 252AAL	25	10	180

ANGLE - 2 WAY (AUTO LID W/O SCREW)

CIRCULAR BOX



SR. NO.	PRODUCT CODE	SIZE	STANDARD PACK	
		OD (mm)	Pc./Box	Pc./Carton
198	PRCB 203AL	20	15	270
199	PRCB 253AL	25	10	180

TEE - 3 WAY (AUTO LID W/O SCREW)

CIRCULAR BOX WITH LID & SCREW

CIRCULAR BOX



SR. NO.	PRODUCT CODE	SIZE	STANDARD PACK	
		OD (mm)	Pc./Box	Pc./Carton
200	PRCB 194L	19	20	320
201	PRCB 204L	20	20	320
202	PRCB 254L	25	15	240
203	PRCB 324L	32	5	110
204	PRCB 404L	40	5	110
205	PRCB 504L	50	5	80

INTERSECTION - 4 WAY

DEEP CIRCULAR BOX WITH LID & SCREW

DEEP CIRCULAR BOX



SR. NO.	PRODUCT CODE	SIZE	STANDARD PACK	
		OD (mm)	Pc./Box	Pc./Carton
212	PRCB 191DL	19	10	280
213	PRCB 201DL	20	10	280
214	PRCB 251DL	25	10	280
215	PRCB 321DL	32	10	280

TERMINAL - 1 WAY

CIRCULAR BOX



SR. NO.	PRODUCT CODE	SIZE	STANDARD PACK	
		OD (mm)	Pc./Box	Pc./Carton
206	PRCB 204AL	20	12	216
207	PRCB 254AL	25	15	150

INTERSECTION - 4 WAY (AUTO LID W/O SCREW)

DEEP CIRCULAR BOX



SR. NO.	PRODUCT CODE	SIZE	STANDARD PACK	
		OD (mm)	Pc./Box	Pc./Carton
216	PRCB 192ADL	19	10	280
217	PRCB 202ADL	20	10	280
218	PRCB 252ADL	25	10	280
219	PRCB 322ADL	32	10	280

ANGLE - 2 WAY

PP CIRCULAR BOX WITH LID & SCREW



CIRCULAR BOX



SR. NO.	PRODUCT CODE	SIZE	STANDARD PACK	
		OD (mm)	Pc./Box	Pc./Carton
208	PPCB194L	19	15	240
209	PPCB254L	25	10	250

INTERSECTION - 4 WAY (POLYPROPYLENE)

DEEP CIRCULAR BOX



SR. NO.	PRODUCT CODE	SIZE	STANDARD PACK	
		OD (mm)	Pc./Box	Pc./Carton
220	PRCB 192SDL	19	10	200
221	PRCB 202SDL	20	10	200
222	PRCB 252SDL	25	10	200
223	PRCB 322SDL	32	10	200

THROUGH - 2 WAY

PP DEEP CIRCULAR BOX WITH LID & SCREW



DEEP CIRCULAR BOX



SR. NO.	PRODUCT CODE	SIZE	STANDARD PACK	
		OD (mm)	Pc./Box	Pc./Carton
210	PPCB194DL	19	12	240
211	PPCB254DL	25	10	200

INTERSECTION - 4 WAY (POLYPROPYLENE)

DEEP CIRCULAR BOX



SR. NO.	PRODUCT CODE	SIZE	STANDARD PACK	
		OD (mm)	Pc./Box	Pc./Carton
224	PRCB 193DL	19	10	220
225	PRCB 203DL	20	10	220
226	PRCB 253DL	25	10	220
227	PRCB 323DL	32	10	160

TEE - 3 WAY

DEEP CIRCULAR BOX



SR. NO.	PRODUCT CODE	SIZE	STANDARD PACK	
		OD (mm)	Pc./Box	Pc./Carton
228	PRCB 194DL	19	10	220
229	PRCB 204DL	20	10	220
230	PRCB 254DL	25	10	220
231	PRCB 324DL	32	10	160

INTERSECTION - 4 WAY

CIRCULAR BOX



SR. NO.	PRODUCT CODE	SIZE	STANDARD PACK	
		OD (mm)	Pc./Box	Pc./Carton
232	PRCB 19UL	19	20	400
233	PRCB 20UL	20	20	400
234	PRCB 25UL	25	20	400

BRANCH - 2 WAY (U)

CIRCULAR BOX



SR. NO.	PRODUCT CODE	SIZE	STANDARD PACK	
		OD (mm)	Pc./Box	Pc./Carton
235	PRCB 19YL	19	15	300
236	PRCB 20YL	20	15	300
237	PRCB 25YL	25	15	300

BRANCH - 3 WAY (Y)

CIRCULAR BOX



SR. NO.	PRODUCT CODE	SIZE	STANDARD PACK	
		OD (mm)	Pc./Box	Pc./Carton
238	PRCB 19HL	19	15	300
239	PRCB 20HL	20	15	300
240	PRCB 25HL	25	15	300

BRANCH - 4 WAY (H)

CIRCULAR BOX



SR. NO.	PRODUCT CODE	SIZE	STANDARD PACK	
		OD (mm)	Pc./Box	Pc./Carton
241	PRCB 201 BOL	20	20	400
242	PRCB 251 BOL	25	15	300

BACK OUTLET - 1 WAY

CIRCULAR BOX



SR. NO.	PRODUCT CODE	SIZE	STANDARD PACK	
		OD (mm)	Pc./Box	Pc./Carton
243	PRCB 202S BOL	20	15	300
244	PRCB 252S BOL	25	15	240

BACK OUTLET THROUGH - 2 WAY

CIRCULAR BOX



SR. NO.	PRODUCT CODE	SIZE	STANDARD PACK	
		OD (mm)	Pc./Box	Pc./Carton
245	PRCB 202A BOL	20	15	300
246	PRCB 252A BOL	25	15	240

BACK OUTLET ANGLE - 2 WAY

CIRCULAR BOX



SR. NO.	PRODUCT CODE	SIZE	STANDARD PACK	
		OD (mm)	Pc./Box	Pc./Carton
247	PRCB 203 BOL	20	15	300
248	PRCB 253 BOL	25	15	240

BACK OUTLET TEE - 3 WAY

CIRCULAR EXTENSION RING



SR. NO.	PRODUCT CODE	SIZE	STANDARD PACK	
		OD (mm)	Pc./Box	Pc./Carton
249	PRER 20	20	50	800
250	PRER 25	25	40	640

LOOP IN BOX



SR. NO.	PRODUCT CODE	SIZE	STANDARD PACK	
		OD (mm)	Pc./Box	Pc./Carton
251	PRLB 19	19 (4 punch)	20	400
252	PRLB 20	20 (4 punch)	20	400
253	PRLB 25	25 (2 punch)	20	400

LOOP IN BOX EXTENSION



SR. NO.	PRODUCT CODE	SIZE	STANDARD PACK	
		OD (mm)	Pc./Box	Pc./Carton
254	PRLB 20E	20	24	384

ROUND CONDUIT uPVC PIPE FITTINGS

HSN: 39174000



COUPLER

SR. NO.	PRODUCT CODE	SIZE	STANDARD PACK	
		OD (mm)	Pc./Box	Pc./Carton
255	PCR 19	19	100	2000
256	PCR 20	20	100	2000
257	PCR 20 L	20 Long	150	2400
258	PCR 25	25	100	2000
259	PCR 32	32	60	960
260	PCR 38	38	30	480
261	PCR 40	40	30	480
262	PCR 50	50	20	320



SLIP TYPE BEND

SR. NO.	PRODUCT CODE	SIZE	STANDARD PACK	
		OD (mm)	Pc./Box	Pc./Carton
276	PRBN 19	19	65	1040
277	PRBN 20	20	65	1040
278	PRBN 25	25	35	560
279	PRBN 32	32	20	320
280	PRBN 38	38	10	160
281	PRBN 40	40	10	160
282	PRBN 50	50	5	80
283	PRBN 63	63	-	50



EXPANSION COUPLER

SR. NO.	PRODUCT CODE	SIZE	STANDARD PACK	
		OD (mm)	Pc./Box	Pc./Carton
263	PCR 20E	20	20	600
264	PCR 25E	25	12	360
265	PCR 32E	32	8	240
266	PCR 38E	38	10	200
267	PCR 50E	50	10	160



SLIP TYPE LONG BEND

SR. NO.	PRODUCT CODE	SIZE	STANDARD PACK	
		OD (mm)	Pc./Box	Pc./Carton
284	PRBL 19	19	45	720
285	PRBL 20	20	45	720
286	PRBL 25	25	20	320
287	PRBL 32	32	10	160
288	PRBL 38	38	-	100
289	PRBL 40	40	-	80
290	PRBL 50	50	-	55



REDUCER COUPLER

SR. NO.	PRODUCT CODE	SIZE	STANDARD PACK	
		OD (mm)	Pc./Box	Pc./Carton
268	PRR1	25>20	250	4000

(PIPE TO FITTING)



REDUCER COUPLER

SR. NO.	PRODUCT CODE	SIZE	STANDARD PACK	
		OD (mm)	Pc./Box	Pc./Carton
269	PRR 2520	25 > 20	75	1500
270	PRR 3220	32 > 20	60	1200
271	PRR 3225	32 > 25	40	800
272	PRR 4020	40 > 20	48	960
273	PRR 4032	40 > 32	32	640
274	PRR 5032	50 > 32	30	480
275	PRR 5040	50 > 40	30	480

(PIPE TO PIPE)



SPACE BAR SADDLE

SR. NO.	PRODUCT CODE	SIZE	STANDARD PACK	
		OD (mm)	Pc./Box	Pc./Carton
291	PRBS 19	19	100	2000
292	PRBS 20	20	100	2000
293	PRBS 25	25	100	2000
294	PRBS 32	32	100	1600
295	PRBS 38	38	80	1280
296	PRBS 40	40	80	1280
297	PRBS 50	50	60	960
298	PRBS 63	63	-	50

SADDLE STRAP



SR. NO.	PRODUCT CODE	SIZE OD (mm)	STANDARD PACK	
			Pc./Box	Pc./Carton
299	PRSS 19	19	100	2000
300	PRSS 20	20	100	2000
301	PRSS 25	25	100	2000
302	PRSS 32	32	100	1600
303	PRSS 38	38	80	1280
304	PRSS 40	40	80	1280
305	PRSS 50	50	60	960

SELF LOCKING SADDLE CLIP



SR. NO.	PRODUCT CODE	SIZE OD (mm)	STANDARD PACK	
			Pc./Box	Pc./Carton
306	PPSC20SL	20	75	75
307	PPSC25SL	25	50	50

(POLYPROPYLENE)

ROUND 'U' CLIP



SR. NO.	PRODUCT CODE	SIZE OD (mm)	STANDARD PACK	
			Pc./Box	Pc./Carton
308	PRUC 20	20	200	4000
309	PRUC 25	25	100	3000

END CAP



SR. NO.	PRODUCT CODE	SIZE OD (mm)	STANDARD PACK	
			Pc./Box	Pc./Carton
310	PREC 20	20	150	3000
311	PREC 25	25	100	2000
312	PREC 32	32	70	1400
313	PREC 40	40	32	640
314	PREC 50	50	24	480

MALE BUSH ADAPTOR



SR. NO.	PRODUCT CODE	SIZE OD (mm)	STANDARD PACK	
			Pc./Box	Pc./Carton
315	PMBA 19	19	100	2000
316	PMBA 20	20	100	2000
317	PMBA 25	25	100	2000

FEMALE BUSH ADAPTOR



SR. NO.	PRODUCT CODE	SIZE OD (mm)	STANDARD PACK	
			Pc./Box	Pc./Carton
318	PFBA 19	19	100	2000
319	PFBA 20	20	100	2000
320	PFBA 25	25	100	2000
321	PFBA 32	32	75	1200
322	PFBA 38	38	50	800
323	PFBA 40	40	50	800
324	PFBA 50	50	25	400

ROUND ELBOW



SR. NO.	PRODUCT CODE	SIZE OD (mm)	STANDARD PACK	
			Pc./Box	Pc./Carton
325	PRE 20	20	125	2500
326	PRE 25	25	75	1200
327	PRE 32	32	20	400
328	PRE 40	40	15	300
329	PRE 50	50	10	200

ROUND TEE



SR. NO.	PRODUCT CODE	SIZE OD (mm)	STANDARD PACK	
			Pc./Box	Pc./Carton
330	PRT 20	20	50	1500
331	PRT 25	25	50	800
332	PRT 32	32	15	300
333	PRT 40	40	10	200
334	PRT 50	50	10	160

INSPECTION ELBOW



SR. NO.	PRODUCT CODE	SIZE OD (mm)	STANDARD PACK	
			Pc./Box	Pc./Carton
335	PIE 20	20	20	600
336	PIE 25	25	20	400

ROUND CONDUIT UPVC PIPE FITTINGS

HSN: 39174000



INSPECTION TEE

SR. NO.	PRODUCT CODE	SIZE	STANDARD PACK	
		OD (mm)	Pc./Box	Pc./Carton
337	PIT 20	20	20	600
338	PIT 25	25	20	400

INSPECTION BEND



SR. NO.	PRODUCT CODE	SIZE	STANDARD PACK	
		OD (mm)	Pc./Box	Pc./Carton
339	PIB 20	20	20	600
340	PIB 25	25	20	400

ADAPTABLE BOX WITH LID



SR. NO.	PRODUCT CODE	SIZE	STANDARD PACK	
		OD (mm)	Pc./Box	Pc./Carton
341	PAB 75L	3" x 3" x 2" 75x75x50	10	200
342	PAB 110L	4" x 4" x 3" 110x110x75	-	100
343	PAB 160L	6" x 4" x 3" 160x110x75	-	75
344	PAB 160SL	6" x 6" x 3" 160x160x75	-	50
345	PAB 225SL	9" x 9" x 3" 225x225x75	-	20
346	PAB 300SL	12" x 12" x 4" 300x300x110	-	5

SURFACE SWITCH BOX



SR. NO.	PRODUCT CODE	SIZE	STANDARD PACK	
		OD (mm)	Pc./Box	Pc./Carton
347	PSB1	3" x 3"	10	300
348	PSB2	6" x 3"	10	200

SWITCH BOX LID



SR. NO.	PRODUCT CODE	SIZE	STANDARD PACK	
		OD (mm)	Pc./Box	Pc./Carton
349	PSBL1 LID	3" x 3"	40	1200
350	PSBL2 LID	6" x 3"	25	750

(WHITE)

FLUSH MOUNTED



SR. NO.	PRODUCT CODE	SIZE	STANDARD PACK	
		OD (mm)	Pc./Box	Pc./Carton
351	PFSB1	3" x 3" x 2"	10	200
352	PFSB2	6" x 3" x 2"	10	160

(SWITCH BOX)



FAN BOX

SR. NO.	PRODUCT CODE	SIZE	STANDARD PACK	
		OD (mm)	Pc./Box	Pc./Carton
353	PRFB20	20 Standard	10	220
354	PRFB25	25 Standard	10	220
355	PRFB20SL	20 Large	10	140
356	PRFB25SL	25 Large	10	140
357	PRFBRD2025	20/25 with Rod	1	28
358	PRFBRD25	25 with Rod	1	28

(BLACK)

METAL FAN BOX



SR. NO.	PRODUCT CODE	SIZE	STANDARD PACK
		OD (mm)	Pc./Bag
359	PMFB 2025	20/25	50

WITH ROD (BROWN)

HSN : 73072900

UPVC SOLVENT CEMENT



SR. NO.	PRODUCT CODE	SIZE (ml)	STANDARD PACK		
			Colour	Pc./Box	Pc./Carton
360	PSC100 ML	100ml	Transparent	24	144
361	PSC250 ML	250ml	Transparent	24	96
362	PSC500 ML	500ml	Transparent	12	48
363	PSC1L	1L	Transparent	6	24
364	PSC5L	5L	Transparent	-	6

HSN: 35061000

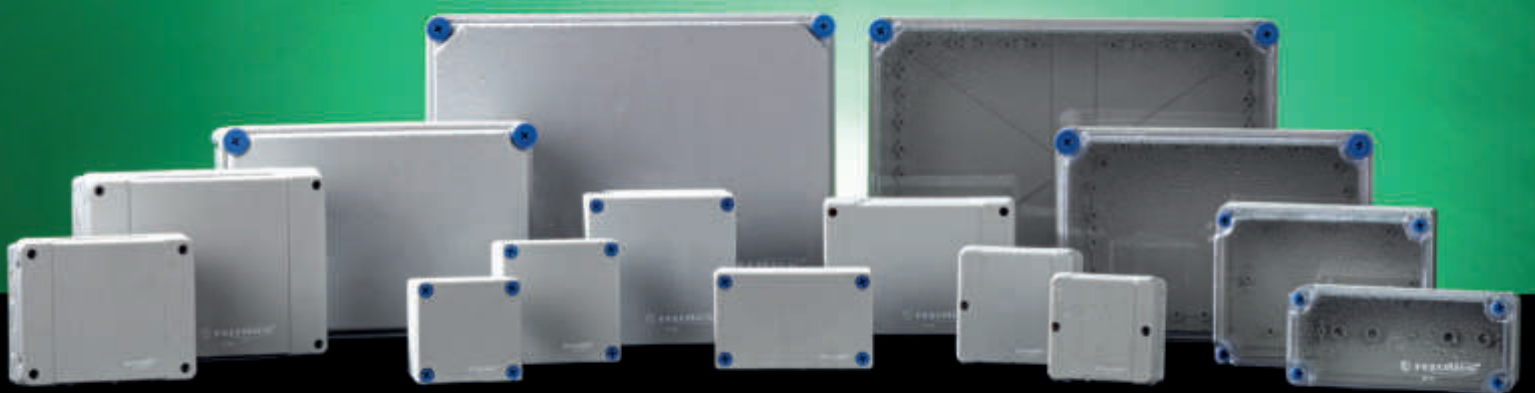
PVC ELECTRICAL INSULATION TAPE



SR. NO.	PRODUCT CODE	SIZE	STANDARD PACK	
		W(mm)xL(Mtr)	Pc./Box	Pc./Carton
365	PPIT 18	18x6	30	540

HSN : 85469090

*20mm Knockout Available Δ 32/38/40mm Knockout Available
 ≠ 20/25 Knockout Available ◇ 50mm Knockout Available



ALL WEATHER BOX

Precision All Weather Box are manufactured from high quality impact resistant Engineering Thermoplastics (Polycarbonate / ABS). The material itself is self-extinguishing and our specially developed formulation gives it special ability to withstand high temperatures. The product passes stringent IP 67 standard requirements which makes it suitable to use indoor and outdoor in harsh environment. Our specially made design gives it highest level of safety from unwanted ingress of oil / water / any other solid waste.

Applications

Enclosure boxes for electrical installations.
Suitable for Outdoor / Indoor environment.

Features

- IP 67 compliance, suitable for Outdoor Installations (CIPET tested)
- Specially formulated Engineering Thermoplastic (Polycarbonate / ABS) gives temperature protection ranging from -40°C to $+90^{\circ}\text{C}$
- Weatherproof, Dust proof and Impact resistant
- Transparent lids ensure enhanced visibility
- Innovative design makes compatible for various types of Switchgears / Electrical components
- Body part with adequate molded markings for easy cable entry location from all sides
- Various sizes available as per individual choice
- Screws supplied are made up of anti-rust SS / Engineering Plastic for corrosion free working and durability as well.



ALL WEATHER BOX

GREY

IP 67 HSN: 85381010

ALL WEATHER BOX OPAQUE LID



Sr No	Product Code	Size: L x W x H (mm)	Standard Pack (Pc/Carton)
366	PAB 8383OL	83X83X65	21
367	PAB 8888OL	88 X 88 X 53	27
368	PAB 9898OL	98 X 98 X 61	24
369	PAB 100100OL	100 X 100 X65	21
370	PAB 13080OL	130 X 80 X 65	16
371	PAB 130130OL	130 X 130 X 80	16
372	PAB 139119OL	139 X 119 X 70	10
373	PAB 167125OL	167 X 125 X 82	12
374	PAB 18080OL	180 X 80 X 90	12
375	PAB 1801OL	180 X 130X 75	16
376	PAB 1802OL	180 X 130 X 100	12
377	PAB 180180OL	180 X 180 X 100	20
378	PAB 200160OL	200 X 160 X 98	8
379	PAB 210190OL	210 X 190 X 100	6
380	PAB 27080OL	270 X 80 X 90	12
381	PAB 280190OL	280 X 190 X 130	4
382	PAB 280280OL	280 X 280 X 130	2
383	PAB 380190OL	380 X 190 X 130	3
384	PAB 380280OL	380 x 280 x 130	2
385	PAB 560380OL	560 X 380 X 180	2

ALL WEATHER BOX TRANSPARENT LID



Sr No	Product Code	Size: L x W x H (mm)	Standard Pack (Pc/Carton)
386	PAB 18080TL	180 X 80 X 90	12
387	PAB 27080TL	270 X 80 X 90	12
388	PAB 180130TL	180 X 130 X 100	12
389	PAB 180180TL	180 X 180 X 100	20
390	PAB 210190TL	210 X 190 X 100	6
391	PAB 280190TL	280 X 190 X 130	4
392	PAB 280280TL	280 X 280 X 130	2
393	PAB 380190TL	380 X 190 X 130	3
394	PAB 380280TL	380 x 280 x 130	2
395	PAB 560380TL	560 X 380 X 180	2



G.I. & M.S. CONDUIT PIPES & FITTINGS

Precision G.I & M.S. Conduit Pipes are manufactured from rigorously tested raw material, in accordance with IS 9537 Part - 2.

G.I. Conduit Pipes are coated at a hot dipped galvanising plant in which iron or steel is coated with a layer of zinc. This coating makes the conduit safe and durable for industrial installations, coastal line atmosphere & thermal power stations.

M.S. Conduit Pipes are treated and coated with paint.

Applications

Channelising electrical surface wiring and cable ducting.

Features



Anti - Rust Coat



Good Finish



Easy to cut



High resistance to Corrosion

G. I. - Silver



M. S. - Black



DIMENSIONS OF G.I. & M.S. CONDUIT PIPES

NORMAL SIZE	OUTSIDE DIAMETER	TOLERANCE OD	WALL THICKNESS	WALL THICKNESS TOLERANCE
MM	MM	MM	MM	MM
20	20	0 -0.3	1.60	±0.2
25	25	0 -0.4	1.60	±0.2
32	32	0 -0.4	1.60	±0.2
40	40	0 -0.4	2.00	+0.2 -0.4
50	50	0 -0.5	2.00	+0.2 -0.4



G.I. & M.S. CONDUIT PIPES

HSN : 73069090



G.I. CONDUIT PIPES

SR. NO.	PRODUCT CODE	SIZE	STANDARD PACK	
		OD (mm)	Pc./Mtr	Mtr./Bdl.
396	PGIC 20	20	26 x 3m	78
397	PGIC 25	25	21 x 3m	63
398	PGIC 32	32	16 x 3m	48
399	PGIC 40	40	10 x 3m	30
400	PGIC 50	50	5 x 3m	15

- COLOUR: SILVER



M.S. CONDUIT PIPES

SR. NO.	PRODUCT CODE	SIZE	STANDARD PACK	
		OD (mm)	Pc./Mtr	Mtr./Bdl.
401	PMSC 20	20	26 x 3m	78
402	PMSC 25	25	21 x 3m	63
403	PMSC 32	32	16 x 3m	48
404	PMSC 40	40	10 x 3m	30
405	PMSC 50	50	5 x 3m	15

- COLOUR: BLACK

G.I. & M.S. CONDUIT PIPE FITTINGS

HSN : 73269099



CIRCULAR BOX WITH LID AND SCREW

G.I. CIRCULAR BOX



SR. NO.	PRODUCT CODE	SIZE	STANDARD PACK	
		OD (mm)	Pc./Box	Pc./Carton
406	PGIB 251	25	20	200

TERMINAL - 1 WAY (SCREW TYPE)

M.S. CIRCULAR BOX



SR. NO.	PRODUCT CODE	SIZE	STANDARD PACK	
		OD (mm)	Pc./Box	Pc./Carton
410	PMSB 202S	20	20	200
411	PMSB 252S	25	20	200

THROUGH - 2 WAY (SCREW TYPE)

M.S. CIRCULAR BOX



SR. NO.	PRODUCT CODE	SIZE	STANDARD PACK	
		OD (mm)	Pc./Box	Pc./Carton
407	PMSB 201	20	20	200
408	PMSB 251	25	20	200

TERMINAL - 1 WAY (SCREW TYPE)

G.I. CIRCULAR BOX



SR. NO.	PRODUCT CODE	SIZE	STANDARD PACK	
		OD (mm)	Pc./Box	Pc./Carton
412	PGIB 253	20	20	200

TEE - 3 WAY (SCREW TYPE)

G.I. CIRCULAR BOX



SR. NO.	PRODUCT CODE	SIZE	STANDARD PACK	
		OD (mm)	Pc./Box	Pc./Carton
409	PGIB 252S	25	20	200

THROUGH - 2 WAY (SCREW TYPE)

M.S. CIRCULAR BOX



SR. NO.	PRODUCT CODE	SIZE	STANDARD PACK	
		OD (mm)	Pc./Box	Pc./Carton
413	PMSB 203	20	20	200
414	PMSB 253	25	20	200

TEE - 3 WAY (SCREW TYPE)

G.I. & M.S. CONDUIT PIPE FITTINGS

HSN : 73269099



CIRCULAR BOX WITH LID AND SCREW

G.I. CIRCULAR BOX



SR. NO.	PRODUCT CODE	SIZE	STANDARD PACK	
		OD (mm)	Pc./Box	Pc./Carton
415	PGIB 254	25	20	200

INTERSECTION - 4 WAY (SCREW TYPE)

M.S. INSPECTION BEND



SR. NO.	PRODUCT CODE	SIZE	STANDARD PACK	
		OD (mm)	Pc./Box	Pc./Carton
419	PMS 20IBT	20	20	200
420	PMS 25IBT	25	20	200

(THREAD TYPE)

M.S. CIRCULAR BOX



SR. NO.	PRODUCT CODE	SIZE	STANDARD PACK	
		OD (mm)	Pc./Box	Pc./Carton
416	PMSB 204	20	20	200
417	PMSB 254	25	20	200

INTERSECTION - 4 WAY (SCREW TYPE)

M.S. NORMAL BEND



SR. NO.	PRODUCT CODE	SIZE	STANDARD PACK	
		OD (mm)	Pc./Box	Pc./Carton
421	PMS 25NBIT	25	12	144

INTERNAL THREAD

G.I. INSPECTION BEND



SR. NO.	PRODUCT CODE	SIZE	STANDARD PACK	
		OD (mm)	Pc./Box	Pc./Carton
418	PGI 25IBT	25	20	200

(THREAD TYPE)



uPVC MINI / MAXI TRUNKING PROFILE & FITTINGS

Precision uPVC Mini/Maxi Trunking Profile and Fittings are manufactured from high impact unplasticised polyvinyl chloride (uPVC) grade material capable of withstanding the most hazardous conditions on-site and exceeds the most stringent requirements of Indian and International standards. The product range brings a whole new world of sophistication and convenience to home, office and commercial establishments and is in accordance with Indian Standard IS 14927 - Part 2 and BS EN 50085 -2-1. Mini Trunking Profile are also available with self-fixing tape for instant and easy installation. Clip on lid provides security while allowing easy maintenance.

Precision uPVC Maxi Trunking Profile Cable Management System is designed for convenience and safety with compartments for separate wiring applications. Maxi Trunking Profile Fittings are available in moulded and fabricated form, thus adding a sleek touch to your interiors.

Applications

To organize and protect cables on surface.

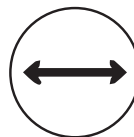
Features



Easy and quick
installation



Secure &
Elegant look



Various Diameters
& Grades



Durable & Impact
Resistant



Fire retardant



High resistance
to Corrosion



Thermal resistant
(-5° C to +60° C)



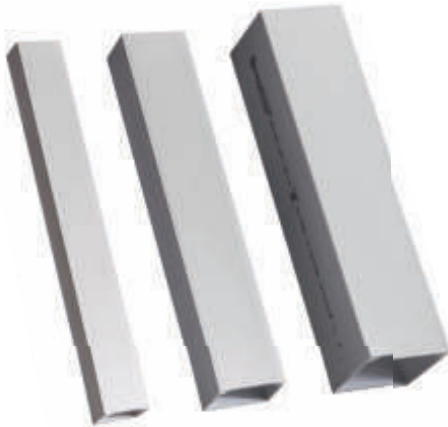
IVORY



WHITE

UPVC MINI / MAXI TRUNKING PROFILE

CE FR HSN: 39162019



UPVC MINI TRUNKING PROFILE

SR. NO.	PRODUCT CODE	SIZE (WxH)	STANDARD PACK	
		(mm)	Pc./Mtr	Mtr / Bdl
422	PT2012	20 x 12	100 x 2m	200
423	PT2512	25 x 12	100 x 2m	200
# 424	PT3015	30 x 15	100 x 2m	200
425	PT3212	32 x 12	100 x 2m	200
# 426	PT1616	16 x 16	100 x 2m	200
427	PT2516	25 x 16	100 x 2m	200
# 428	PT3216	32 x 16	100 x 2m	200
429	PT3816	38 x 16	50 x 2m	100
430	PT3825	38 x 25	50 x 2m	100
431	PT3838	38 x 38	25 x 2m	50
432	PT5016	50 x 16	50 x 2m	100

(IVORY/WHITE)



UPVC MAXI TRUNKING PROFILE

SR. NO.	PRODUCT CODE	SIZE (WxH)	STANDARD PACK	
		(mm)	Pc./Mtr	Mtr / Bdl
433	PT5050	50 x 50	20 x 2m	40
434	PT7550	75 x 50	12 x 2m	24
435	PT7575	75 x 75	9 x 2m	18
436	PT10050	100 x 50	10 x 2m	20
437	PT100100	100 x 100	6 x 2m	12
438	PT15050	150 x 50	5 x 2m	10

(WHITE)



UPVC MAXI TRUNKING PROFILE DIVIDER

SR. NO.	PRODUCT CODE	SIZE (WxH)	STANDARD PACK	
		(mm)	Pc./Mtr	Mtr / Bdl
∞ 439	PMTD	Standard	50 x 2m	100

(WHITE)

Special Size

∞ 100 x 50

uPVC MINI / MAXI TRUNKING PROFILE FITTINGS (MOULDED)

HSN: 39174000

IVORY

WHITE



COUPLER

SR. NO.	PRODUCT CODE	SIZE (W x H) (mm)	STANDARD PACK Pc./Box
440	PTC 2012	20 x 12	100
441	PTC 2512	25 x 12	100
442	PTC 3212	32 x 12	100
443	PTC 1616	16 x 16	100
444	PTC 3816	38 x 16	50
445	PTC 3825	38 x 25	50
446	PTC 10050	100 x 50(W)	10



INTERNAL BEND

SR. NO.	PRODUCT CODE	SIZE (W x H) (mm)	STANDARD PACK Pc./Box
461	PTI 2512	25 x 12	100
462	PTI 3212	32 x 12	100
463	PTI 1616	16 x 16	100
464	PTI 3816	38 x 16	100
465	PTI 3825	38 x 25	50
466	PTI 10050	100 x 50(W)	10



ELBOW

SR. NO.	PRODUCT CODE	SIZE (W x H) (mm)	STANDARD PACK Pc./Box
447	PTB 2012	20 x 12	100
448	PTB 2512	25 x 12	100
449	PTB 3212	32 x 12	100
450	PTB 1616	16 x 16	100
451	PTB 3816	38 x 16	100
452	PTB 3825	38 x 25	100
453	PTB 10050	100 x 50(W)	10



EXTERNAL BEND

SR. NO.	PRODUCT CODE	SIZE (W x H) (mm)	STANDARD PACK Pc./Box
467	PTE 2512	25 x 12	100
468	PTE 3212	32 x 12	100
469	PTE 1616	16 x 16	100
470	PTE 3816	38 x 16	100
471	PTE 3825	38 x 25	50
472	PTE 10050	100 x 50(W)	10



TEE

SR. NO.	PRODUCT CODE	SIZE (W x H) (mm)	STANDARD PACK Pc./Box
454	PTT 2012	20 x 12	100
455	PTT 2512	25 x 12	50
456	PTT 3212	32 x 12	50
457	PTT 1616	16 x 16	100
458	PTT 3816	38 x 16	50
459	PTT 3825	38 x 25	50
460	PTT 10050	100 x 50(W)	10



4 - WAY

SR. NO.	PRODUCT CODE	SIZE (W x H) (mm)	STANDARD PACK Pc./Box
473	PTW3212	32 x 12	50



END CAP

SR. NO.	PRODUCT CODE	SIZE (W x H) (mm)	STANDARD PACK Pc./Box
474	PMTC 100	100 x 50(W)	50

UPVC MINI / MAXI TRUNKING PROFILE FITTINGS (MOULDED)

HSN: 39174000



JUNCTION LINKER



SR. NO.	PRODUCT CODE	SIZE (W x H)	STANDARD PACK	
		(mm)	Pc./Bag	Pc./Carton
475	PTJL7575	Standard	20	300

(POLY PROPYLENE)

SURFACE SWITCH BOX



SR. NO.	PRODUCT CODE	SIZE (W x H)	STANDARD PACK	
		(mm)	Pc./Box	Pc./Carton
476	PTSB1	3"x3" (W)	10	300
477	PTSB2	6"x3" (W)	10	200

- TRUNKING KNOCKOUT

\$ 16 x 16, 25 x 16 Knockout Available (W) - White

UPVC MINI / MAXI TRUNKING PROFILE FITTINGS (FABRICATED)

HSN: 39174000



ELBOW



SR. NO.	PRODUCT CODE	SIZE (W x H) (mm)	STANDARD PACK Pc./Bag
478	PMTL50	50 x 50	5
479	PMTL751	75 x 50	5
480	PMTL752	75 x 75	5
481	PMTL1002	100 x 100	5
482	PMTL1501	150 x 50	5
483	PMTL1502	150 x 150	5

EXTERNAL ANGLE



SR. NO.	PRODUCT CODE	SIZE (W x H) (mm)	STANDARD PACK Pc./Bag
496	PMTE50	50 x 50	5
497	PMTE751	75 x 50	5
498	PMTE752	75 x 75	5
499	PMTE1002	100 x 100	5
500	PMTE1501	150 x 50	5
501	PMTE1502	150 x 150	5

TEE



SR. NO.	PRODUCT CODE	SIZE (W x H) (mm)	STANDARD PACK Pc./Bag
484	PMTT50	50 x 50	5
485	PMTT751	75 x 50	5
486	PMTT752	75 x 75	5
487	PMTT1002	100 x 100	5
488	PMTT1501	150 x 50	5
489	PMTT1502	150 x 150	5

END CAP



SR. NO.	PRODUCT CODE	SIZE (W x H) (mm)	STANDARD PACK Pc./Bag
502	PFTC50	50 x 50	5
503	PFTC751	75 x 50	5
504	PFTC752	75 x 75	5
505	PFTC1002	100 x 100	5
506	PFTC1501	150 x 50	5
507	PFTC1502	150 x 150	5

INTERNAL ANGLE



SR. NO.	PRODUCT CODE	SIZE (W x H) (mm)	STANDARD PACK Pc./Bag
490	PMTI50	50 x 50	5
491	PMTI751	75 x 50	5
492	PMTI752	75 x 75	5
493	PMTI1002	100 x 100	5
494	PMTI1501	150 x 50	5
495	PMTI1502	150 x 150	5



METALLIC CABLE MANAGEMENT SYSTEM

Precision after serving India and overseas markets all these years in routing wires through our conduits, we have launched metallic cable management system to route HT/ LT/ LV cables through our Perforated, Ladder & Trunking cable tray with accessories.

It comes in 3 major categories as follows.

- a) Trunking Cable Tray (TCT) and Fittings
- b) Perforated Cable Tray (PCT) and Fittings
- c) Ladder Cable Tray (LCT) and Fittings

All above categories are further divided in various finishes such as

- i) Hot Dip Galvanized (HDG)
- ii) Powder Coated (PC)
- iii) Enamel Painted (EP)
- iv) Pre-Galvanized Sheets (PG)

Applications

Metallic Cable Management System for
HT/ LT/ LV cables

Suitable for Indoor and Outdoor environment.

Features

- Available in different Thicknesses ranging from 1.6 mm to 3.0 mm
- Various Width x Height sizes available to make it cost effective
- Choice of Finishes / Raw Materials available as per individual requirements
- Available in standard length of 2.5 Mtr
- Once fixed, it is absolutely Maintenance Free
- Availability of lids makes it easy to open in case of future work at later stage
- All raw material used is of IS grade
- Complimentary 2 nos of Coupler Plates & Nut-Bolts with each Cable Tray
- Suitable Fittings available in all categories of Cable Tray
- Hot dip Galvanizing comes with 65 μm as standard Zinc coating. For humid and corrosive environment 80 / 120 μm coating is also available as per requirements.

METALLIC CABLE MANAGEMENT SYSTEM

HSN : 73089090

TRUNKING CABLE TRAY (TCT)



Sr No	Size: WxH (mm)	Cover WxH (mm)	Standard Length (Mtr)	Standard Pack (Pc)
508	50 x 38	55 X 12	2.5	1
509	50 x 50	55 X 12	2.5	1
510	100 x 50	105 X 12	2.5	1
511	150 x 50	155 X 12	2.5	1
512	200 x 50	205 X 12	2.5	1
513	300 x 50	305 X 12	2.5	1
514	450 x 50	455 X 12	2.5	1
515	600 x 50	605 X 12	2.5	1
516	100 x 70	105 X 12	2.5	1
517	150 x 75	155 X 12	2.5	1
518	200 x 75	205 X 12	2.5	1
519	300 x 75	305 X 12	2.5	1
520	450 x 75	455 X 12	2.5	1
521	600 x 75	605 X 12	2.5	1

ACCESSORIES FOR TRUNKING CABLE TRAY (TCT)



Sr No	Fitting	Type	Standard Pack (Pc)
522	45° Bend	Horizontal	1
523	45° Bend	Vertical	1
524	90° Bend	Horizontal	1
525	90° Bend	Vertical	1
526	Tee joint	Equal	1
527	Tee joint	Unequal	1
528	Reducer joint	Concentric	1
529	Reducer joint	Eccentric	1
530	4 way Cross joint	Equal	1
531	4 way Cross joint	Unequal	1

All above sizes are available:

In 1.60mm, 2.0 mm, 2.50mm and 3.0mm thickness also.

In HR / CRCA / Pre - Galvanised / Aluminum material also.

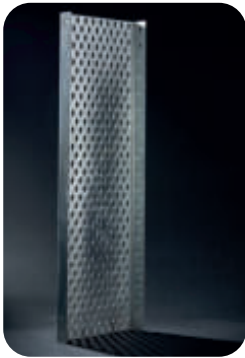
In Hot dip Galvanised / Powder Coated / Painted / Pre - Galvanised finishes also.

All above fittings are available for TCT range from 50 x 38 mm to 600 x 75 mm.

METALLIC CABLE MANAGEMENT SYSTEM

HSN : 73089090

PERFORATED CABLE TRAY (PCT)



Sr No	Size: W x H (mm)	Standard Length (Mtr)	Standard Pack (Pc)
532	50 x 50	2.5	1
533	100 x 50	2.5	1
534	150 x 50	2.5	1
535	200 x 50	2.5	1
536	300 x 50	2.5	1
537	450 x 50	2.5	1
538	600 x 50	2.5	1
539	100 x 75	2.5	1
540	150 x 75	2.5	1
541	200 x 75	2.5	1
542	300 x 75	2.5	1
543	450 x 75	2.5	1
544	600 x 75	2.5	1
545	150 x 100	2.5	1
546	200 x 100	2.5	1
547	300 x 100	2.5	1
548	450 x 100	2.5	1
549	600 x 100	2.5	1

ACCESSORIES FOR PERFORATED CABLE TRAY (PCT)



Sr No	Fitting	Type	Standard Pack (Pc)
550	45° Bend	Horizontal	1
551	45° Bend	Vertical	1
552	90° Bend	Horizontal	1
553	90° Bend	Vertical	1
554	Tee joint	Equal	1
555	Tee joint	Unequal	1
556	Reducer joint	Concentric	1
557	Reducer joint	Eccentric	1
558	4 way Cross joint	Equal	1
559	4 way Cross joint	Unequal	1

All above sizes are available:

In 1.60mm, 2.0 mm, 2.50mm and 3.0mm thickness also.

In HR / CRCA / Pre - Galvanised / Aluminum material also.

In Hot dip Galvanised / Powder Coated / Painted / Pre - Galvanised finishes also.

Covers are available for Perforated Cable Tray also.

All above fittings are available for PCT range from 50 x 50 mm to 600 x 100 mm.

METALLIC CABLE MANAGEMENT SYSTEM

HSN : 73089090

LADDER CABLE TRAY (LCT)

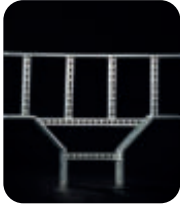
Sr No	Size: W x H (mm)	Standard Length (Mtr)	Standard Pack (Pc)
560	100 x 50	2.5	1
561	150 x 50	2.5	1
562	200 x 50	2.5	1
563	300 x 50	2.5	1
564	450 x 50	2.5	1
565	600 x 50	2.5	1
566	750 x 50	2.5	1
567	900 x 50	2.5	1
568	1000 x 50	2.5	1
569	100 x 75	2.5	1
570	150 x 75	2.5	1
571	200 x 75	2.5	1
572	300 x 75	2.5	1
573	450 x 75	2.5	1
574	600 x 75	2.5	1
575	750 x 75	2.5	1
576	900 x 75	2.5	1
577	1000 x 75	2.5	1
578	1200 x 75	2.5	1
579	1500 x 75	2.5	1
580	150 x 100	2.5	1
581	200 x 100	2.5	1
582	300 x 100	2.5	1
583	450 x 100	2.5	1
584	600 x 100	2.5	1
585	750 x 100	2.5	1
586	900 x 100	2.5	1
587	1000 x 100	2.5	1
588	1200 x 100	2.5	1
589	1500 x 100	2.5	1



METALLIC CABLE MANAGEMENT SYSTEM

HSN : 73089090

ACCESSORIES FOR LADDER CABLE TRAY (LCT)



Sr No	Fitting	Type	Standard Pack (pc)
590	45° Bend	Horizontal	1
591	45° Bend	Vertical	1
592	90° Bend	Horizontal	1
593	90° Bend	Vertical	1
594	Tee joint	Equal	1
595	Tee joint	Unequal	1
596	Reducer joint	Concentric	1
597	Reducer joint	Eccentric	1
598	4 way Cross joint	Equal	1
599	4 way Cross joint	Unequal	1

All above sizes are available:

In 1.60mm, 2.0 mm, 2.50mm and 3.0mm thickness also.

In HR / CRCA / Pre - Galvanised / Aluminum material also.

In Hot dip Galvanised / Powder Coated / Painted / Pre - Galvanised finishes also.

Covers are available for Ladder Cable Tray also.

All above fittings are available for LCT range from 100 x 50 mm to 1500 x 100 mm.

SLOTTED L SECTION



Sr No	Size (mm)	Standard Length (Mtr)	Standard Pack (Pc)
600	25 x 25	2.5	1
601	25 x 30	2.5	1
602	25 x 35	2.5	1
603	30 x 30	2.5	1
604	30 x 35	2.5	1
605	30 x 40	2.5	1
606	30 x 45	2.5	1
607	35 x 30	2.5	1
608	35 x 35	2.5	1
609	30 x 40	2.5	1
610	40 x 35	2.5	1
611	40 x 40	2.5	1
612	40 x 45	2.5	1
613	40 x 50	2.5	1
614	45 x 45	2.5	1
615	45 x 50	2.5	1
616	50 x 50	2.5	1

METALLIC CABLE MANAGEMENT SYSTEM

HSN : 73089090

SLOTTED C SECTION



Sr No	Size (mm)	Standard Length (Mtr)	Standard Pack (Pc)
617	15 X 30 X 15	2.5	1
618	15 X 35 X 15	2.5	1
619	20 X 35 X 20	2.5	1
620	25 X 35 X 25	2.5	1
621	15 X 40 X 15	2.5	1
622	20 X 40 X 20	2.5	1
623	25 X 40 X 25	2.5	1
624	15 X 50 X 15	2.5	1
625	20 X 50 X 20	2.5	1
626	25 X 50 X 25	2.5	1

SLOTTED Z SECTION



Sr No	Size (mm)	Standard Length (Mtr)	Standard Pack (Pc)
627	25 X 25 X 25	2.5	1
628	25 X 30 X 25	2.5	1
629	30 X 30 X 30	2.5	1
630	30 X 35 X 30	2.5	1
631	30 X 40 X 30	2.5	1
632	30 X 50 X 30	2.5	1
633	35 X 30 X 35	2.5	1
634	35 X 35 X 35	2.5	1
635	35 X 40 X 35	2.5	1
636	35 X 50 X 35	2.5	1
637	40 X 35 X 40	2.5	1
638	40 X 40 X 40	2.5	1
639	45 X 40 X 45	2.5	1
640	45 X 45 X 45	2.5	1
641	45 X 50 X 45	2.5	1
642	50 X 45 X 50	2.5	1
643	50 X 50 X 50	2.5	1

All above sizes are available:

In 1.60mm, 2.0 mm, 2.50mm and 3.0mm thickness also.

In HR / CRCA / Pre - Galvanised / Aluminum material also.

In Hot dip Galvanised / Powder Coated / Painted / Pre - Galvanised finishes also.



uPVC PANEL TRUNKING

Precision uPVC Panel Trunking is manufactured from high impact unplasticised polyvinyl chloride (uPVC) to ensure panel & machinery safety in extreme conditions. These trunkings are ideal to channelise medium, big size panels & various applications where economy, space saving, safety and durability are paramount.

Applications

To conduct, organise and protect cables inside electrical and telecommunication panels, industrial machinery wiring, computer LAN wiring and data centers.

Features



Flame retardant



Thermal resistant
(-5° C to +60° C)



High Tensile
Strength
(390 kg/cm²)

- Non-brittle, wrap proof.
- Vertical slids and detachable strips facilitates systematic wiring, permits faster connections, additions and fault tracing of wires.
- Avoids bunching, taping, and provides complete electrical insulation.
- Unique cover locking design prevents popping of wires while removing cover
- Elongated slots at bottom allows flexible mounting.



UPVC PANEL TRUNKING FRLS CE

HSN : 85381010



UPVC PANEL TRUNKING

SR. NO.	PRODUCT CODE	SIZE	STANDARD PACK	
		H x W(mm)	Pc/Mtr	Mtr/Carton
644	PPT1515	15 x 15	200 x 1m	200
645	PPT2525	25 x 25	130 x 1m	130
646	PPT3025	30 x 25	125 x 1m	125
647	PPT4525	45 x 25	90 x 1m	90
648	PPT4545	45 x 45	50 x 1m	50
649	PPT4560	45 x 60	50 x 1m	50
650	PPT6025	60 x 25	70 x 1m	70
651	PPT6040	60 x 40	60 x 1m	60
652	PPT6045	60 x 45	50 x 1m	50
653	PPT6060	60 x 60	40 x 1m	40
654	PPT7525	75 x 25	60 x 1m	60
655	PPT7575	75 x 75	30 x 1m	30
656	PPT10075	100 x 75	24 x 1m	24
657	PPT100100	100 x 100	16 x 1m	16

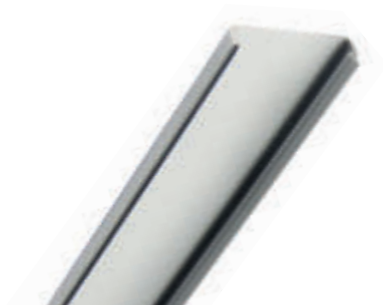
- STANDARD SLOT



UPVC PANEL TRUNKING

SR. NO.	PRODUCT CODE	SIZE	STANDARD PACK	
		H x W(mm)	Pc/Mtr	Mtr/Carton
658	PPT3025TS	30 x 25	125 x 1m	125
659	PPT4525TS	45 x 25	90 x 1m	90
660	PPT4545TS	45 x 45	50 x 1m	50
661	PPT4560TS	45 x 60	50 x 1m	50
662	PPT6025TS	60 x 25	70 x 1m	70
663	PPT6040TS	60 x 40	60 x 1m	60
664	PPT6045TS	60 x 45	50 x 1m	50
665	PPT6060TS	60 x 40	40 x 1m	40

- THIN SLOT



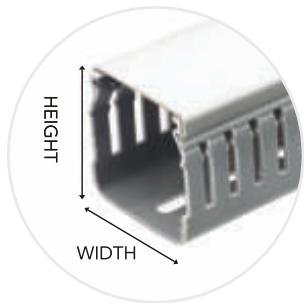
UPVC PANEL TRUNKING

SR. NO.	PRODUCT CODE	SIZE	STANDARD PACK	
		(mm)	Pc/Mtr	Mtr/Carton
666	PPT25T	25	100 x 1m	100
667	PPT40T	40	50 x 1m	50
668	PPT45T	45	50 x 1m	50
669	PPT60T	60	50 x 1m	50
670	PPT75T	75	25 x 1m	25
671	PPT100T	100	25 x 1m	25

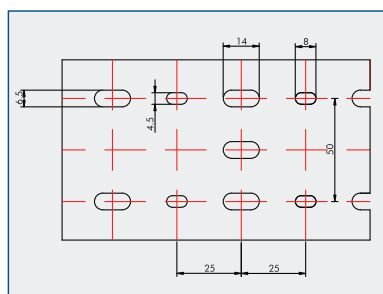
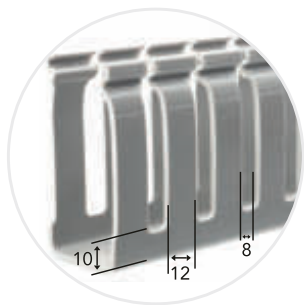
- TOP COVER



STANDARD SLOT



THIN SLOT



For Panel Trunking
75 x 75, 100 x 75, 100 x 100
All Dimensions are in (mm)

OPTIMAL GRIP LID

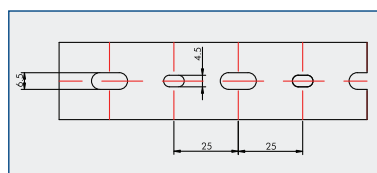
- Precision's Panel Trunking Lid design provides high capacity to sustain leads of wire in the case of a cable positioned in the centre of the duct and avoids them from riding up.
- Quick snap on/off non-slip assembly forms a firm & rigid channel.
- Interlocking lid and channel is optimised to make the system easier to install and to provide discrete routing of cables.
- Uniform grip and thickness throughout the length system with independent non-slip lid, keeps cover in place during high vibration applications.

WALL PERFORATION RIB DESIGN

- All wall perforation ribs of Precision Panel Trunking have larger rounded slots for easy insertion of wires and cables.
- Rounded design with burr-free edges to prevent any injury to the hand of the user or to the cable insulation.

ELONGATED MOUNTING SLOTS

- Perforated base with elongated slot allows flexible mounting and better fastening of the cables.
- Robust sections.



For Panel Trunking
15 x 15, 25 x 25, 30 x 25,
45 x 25, 45 x 45, 45 x 60,
60 x 25, 60 x 45, 60 x 60



PRECISION[®]

Pipes | Desh ki Lifeline



CORRUGATED FLEXIBLE CONDUIT PIPES & FITTINGS

Precision Corrugated Flexible Conduit Pipes come in a wide and comprehensive range of material variants to suit a variety of applications. These conduits are manufactured in variants based on the final application for wiring purposes.

POLYPROPYLENE FLEXIBLE CONDUITS are the best solution for applications where resistance to constant flexing and vibration is essential, these conduits display excellent flexibility. Moreover, they are light weight and easy to install which makes them very popular. Temperature resistant from -5°C to $+90^{\circ}\text{C}$.

STEEL WIRE REINFORCED FLEXIBLE UPVC CONDUITS are manufactured with soft polyvinyl chloride (uPVC) wall fused to high tensile steel wire in a coiled state. These conduits are unaffected by inorganic acid, alkali & saline water. Most suitable for electrical wiring in buildings, switch boards, panels, machinery, dust collectors, air dusting, exhaust of fumes, shrouds of railway coach wiring and hospital equipments. Temperature resistant from -5°C to $+60^{\circ}\text{C}$.

GALVANISED STEEL FLEXIBLE CONDUIT

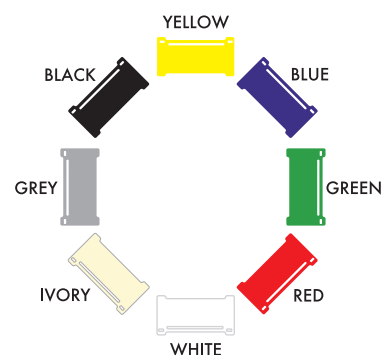
Precision Steel Flexible Conduit Pipes are made from galvanised steel, helical wound strips having a square lock type construction and are manufactured in accordance to Indian/British Standards in galvanized zinc coating with spiral corrugated pattern finished surface. Mostly used as low pressure hose in Industrial domestic air conditioning, ventilation systems and as mechanical protection for insulated electrical cables & wires which may be exposed to atmospheric conditions.

GALVANISED STEEL FLEXIBLE CONDUIT WITH PVC COATING

Precision PVC Coated Steel Flexible Conduit Pipes are made from galvanized steel, helical wound strips having a square lock type construction and are manufactured in accordance to Indian/British Standards in poly vinyl coating. They are available in black/grey colour with spiral corrugated pattern finished surface. Most suitable for mechanical protection of cable and wire in tunnels, hospitals, high-rise office blocks and public buildings.



Fire retardant & corrosion free



CORRUGATED FLEXIBLE CONDUIT PIPES

HSN : 39173100

DIMENSIONS OF CORRUGATED FLEXIBLE CONDUITS

Nominal Diameter (mm)	Maximum Outside Diameter (mm)	Tolerance on Outside Diameter (mm)	Minimum Inside Diameter (mm)
10	10	-0.1	7.0
16	16	-0.3	10.7
20	20	-0.3	14.1
25	25	-0.4	18.3
32	32	-0.4	24.3
40	40	-0.4	31.2
50	50	-0.5	39.6
63	63	-0.6	52.6

DIMENSIONS OF GALVANIZED STEEL FLEXIBLE CONDUIT PIPES

Nominal Size (mm)	Nominal Size (inch)	OD (mm)	ID (mm)	BENDING radius/mm
16	1/2"	15.5	12.5	40
20	3/4"	22.5	19.5	55
25	1"	28	25.0	60
32	1 1/4"	35.0	32.0	70
40	1 1/2"	42.0	38.0	80
50	2	54.0	50.0	90

*Tolerance: Size below 50mm, +/- 1mm & above 50mm +/- 3mm

DIMENSIONS OF GALVANIZED STEEL FLEXIBLE CONDUIT PIPES WITH PVC COATING

Nominal Size (mm)	Nominal Size (inch)	OD (mm)	ID (mm)	BENDING radius/mm
16	1/2"	16.5	12.5	40
20	3/4"	23.5	19.5	55
25	1"	29	25.0	60
32	1 1/4"	36.5	32.0	70
40	1 1/2"	44.0	38.0	80
50	2	57.0	51.0	90

*Tolerance: Size below 50mm, +/- 1mm & above 50mm +/- 3mm

(PP) POLY PROPYLENE

SR. NO.	PRODUCT CODE	SIZE	STANDARD PACK	
		OD (mm)	Mtr./Coil	Mtr./Bag
672	PCFC 10	10	100	1000
673	PCFC 16	16	50	500
674	PCFC 20	20	50	500
675	PCFC 25	25	25	250
676	PCFC 32	32	25	250
677	PCFC 40	40	20	100
678	PCFC 50	50	15	75
679	PCFC 63	63	10	50



SR. NO.	PRODUCT CODE	SIZE	STANDARD PACK	
		OD (mm)	Mtr./Coil	Mtr./Bag
680	PCCL 10	10	100	1000
681	PCCL 16	16	50	500
682	PCCL 20	20	50	500
683	PCCL 25	25	25	250
684	PCCL 32	32	25	250
685	PCCL 40	40	20	100
686	PCCL 50	50	15	75
687	PCCL 63	63	10	50



CORRUGATED FLEXIBLE CONDUIT PIPE FITTINGS



SR. NO.	PRODUCT CODE	SIZE	STANDARD PACK	
		OD (mm)	Pc./Box	Pc./Carton
688	PFAG 16	16	125	2250
689	PFAG 20	20	75	1350
690	PFAG 25	25	50	900
691	PFAG 32	32	30	540
692	PFAG 40	40	20	360
693	PFAG 50	50	5	150

CORRUGATED FLEXIBLE CONDUIT GLAND

HSN : 39174000



CORRUGATED FLEXIBLE CONDUIT PIPES & FITTINGS



STEEL WIRE REINFORCED FLEXIBLE uPVC CONDUIT PIPE

SR. NO.	PRODUCT CODE	SIZE	STANDARD PACK	
		ID (mm)	Mtr./Coil	Mtr./Bag
694	PCWR 10	10	30	300
695	PCWR 16	16	30	300
696	PCWR 20	20	30	240
697	PCWR 25	25	30	210
698	PCWR 30	30	30	150
699	PCWR 40	40	30	120
700	PCWR 50	50	30	90
701	PCWR 60	60	15	75

HSN : 39172190

GREY



GALVANIZED STEEL FLEXIBLE CONDUIT PIPES

SR. NO.	PRODUCT CODE	NORMAL SIZE (mm)	NORMAL SIZE (Inch)	STANDARD PACK	
				Mtr./Coil	Mtr./Bag
709	PGIFC 16	16	1/2"	15	210
710	PGIFC 20	20	3/4"	15	150
711	PGIFC 25	25	1"	15	105
712	PGIFC 32	32	1 1/4"	15	75
713	PGIFC 40	40	1 1/2"	15	75
714	PGIFC 50	50	2"	10	50

HSN : 83071000

SILVER

STEEL WIRE REINFORCED FLEXIBLE uPVC CONDUIT PIPE FITTINGS



SR. NO.	PRODUCT CODE	SIZE	STANDARD PACK	
		OD (mm)	Pc./Box	Pc./Carton
702	PFRG 10	10	75	1350
703	PFRG 16	16	60	1080
704	PFRG 20	20	45	810
705	PFRG 25	25	30	540
706	PFRG 30	30	20	360
707	PFRG 40	40	15	270
708	PFRG 50	50	5	150

STEEL WIRE REINFORCED FLEXIBLE uPVC CONDUIT GLAND

HSN : 39174000

GREY

GALVANIZED STEEL FLEXIBLE CONDUIT WITH PVC COATING



SR. NO.	PRODUCT CODE	NORMAL SIZE (mm)	NORMAL SIZE (Inch)	STANDARD PACK	
				Mtr./Coil	Mtr./Bag
715	PGIFCP 16	16	1/2"	50	250
716	PGIFCP20	20	3/4"	25	150
717	PGIFCP 25	25	1"	25	125
718	PGIFCP 32	32	1 1/4"	15	75
719	PGIFCP 40	40	1 1/2"	15	75
720	PGIFCP 50	50	2"	15	60

HSN : 83071000

BLACK

GREY



TECHNICAL DATA

MATERIAL DATA

Specific Gravity	:	1.40 - 1.46
Impact Resistance	:	High impact resistance. The material is formulated to comply with -5°C to +60°C to IS 9537-Part 3 and IS 14927-Part 2 Cable Trunking Standards.
Tensile Strength	:	450/565 kg/cm ²
Chemical Resistance	:	The material is virtually unaffected by inorganic acid, alkalis and salt.
Coefficient of linear Expansion	:	7x10/m/deg.C
Water Absorption	:	Negligible
Flammability	:	IS 9537-Part 3, IS 3419:1988, IS 14927-Part 2, BS 4607 and BS EN 61386-21
Vicat. Softening point (Pipe & Trunking)	:	80°C at 5 kg Load
Vicat. Softening point (Moulded Fittings)	:	76°C
Oxygen Index	:	40%
Electric Strength	:	To the requirement of IS 9537-Part 3, IS 3419:1988, IS 14927-Part 2, BS 4607 and BS EN 61386-21
Insulation Resistance	:	To the requirements of IS 9537-Part 3, IS 3419:1988, IS 14927-Part2, BS 4607 and BS EN 61386-21
Operating Temperature	:	-5°C to +60°C

STANDARDS

Conduit	:	IS 9537-Part 3, BS EN 61386-21
Conduit Fittings	:	IS 3419:1988 with latest amendment, BS 4607
Trunking	:	IS 14927-Part 2, BS EN 50085-2-1:2006

QUALITY CONFIRMATION



LOW VOLTAGE DIRECTIVE



Precision products that comes within the scope of Low Voltage Directive (LVC) 2006/95/EC, RoHS Directive 2002/95/EC will be CE marked on their product or packaging that they meet the necessary requirements of the directive.

CONDUIT AND TRUNKING

The following notes are intended to be a guide to the installation of Precision Conduit, Trunking and Fitting. To ensure safety in installation, commissioning and maintenance, work should be undertaken by competent personnel and in accordance with relevant codes of practice and statutory requirements. Information on installation can be found in:

- Regulations, Indian standards specifications and code of practice.
- Regulation for electrical equipment of buildings (IEE publication).

CONDUIT

Choice of Conduit

The choice depends on the type of work being undertaken and the specification, Heavy Mechanical Stress (HMS) and Medium Mechanical Stress (MMS) Round Conduits are normally used in casting in situ and surface work. Light Mechanical Stress (LMS) Conduit is suitable for concealed work in drops and in screeds & surface. Trunking Profile are generally used as a method of installing cables in domestic / commercial in surface work and installation beneath plaster.

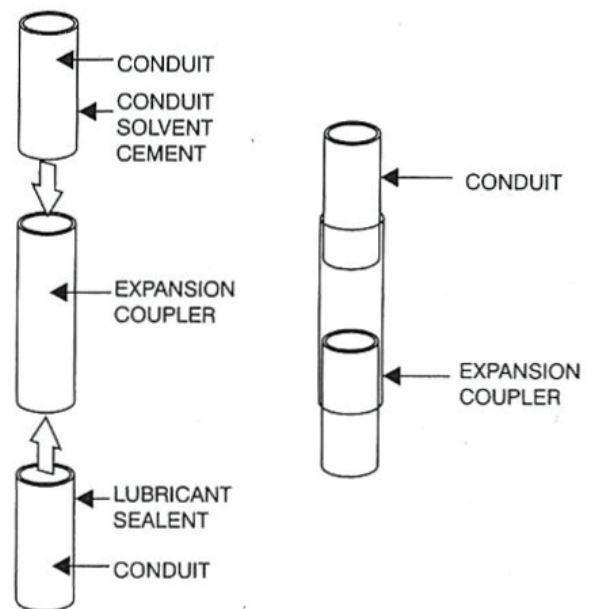
Surface Installation

All horizontal runs of conduit should be secured at a maximum distance of 0.9 meter and vertical runs should be secured at a maximum of 1.2 meter. For high ambient temperatures or where rapid changes in temperature are likely to be encountered the distance should be reduced. At fittings or where directional changes takes place the conduit should be fastened approximately 150 mm either side to maintain support. The fastening should not be over tightened to permit thermal movement of the conduit.

Joint and Couplers

To accommodate for thermal movement due to temperature change on surface installations, it is recommended that expansion couplers be used at a maximum distance of 6 meters intervals. Where high ambient temperature or frequent variation in temperature is likely to occur this distance should be reduced. Expansion couplers are installed with the short side coated with solvent cement and coupler pushed firmly over the conduit down to nib. The slip side coated with silicon grease receives the conduit to a midpoint to the nib. This will then permit for expansion or contraction providing the conduit is free to move in the saddle.

Conduit fittings are installed in the system using solvent cement for permanent installation and silicon grease where installation is subject to frequent changes.



Jointing

PVC solvent cement is the recommended method of joining conduit into fitting like couplings, adaptors, bends and boxes. Precision solvent cement is especially formulated for watertight permanent joint.

BONDING INSTRUCTIONS

Conduits and Fittings to be bonded must be clean, dry and free from oil moisture, dirt and grease.

- Cut the pipe, remove burr from the both inside and outside of the pipe with knife, file or reamer.
- Apply an even layer of cement to the pipe and fitting.
- Immediately push the pipe into the fitting together to the full depth without twisting. Hold in place for 30 seconds and clean off excess cement.

Bending

Bending of conduit up to 25 mm in diameter can be carried out using correct size and gauge of bending spring. It should be noted that Heavy gauge spring is plated gold colour for heavy conduit. Medium gauge spring is plated silver colour for medium conduit and Light gauge spring is plated black colour for light conduit. Make sure they are not damaged in any way, as this can cause the conduit to kink and fracture making removal of spring difficult.

Cold Bending

To bend the conduit, insert the spring to the desired position, grip the conduit on either side of the bend and bring slowly together to form the bend. The bend should be made more acute than necessary because of tendency of the PVC to recover after bending. Pull the spring gently. Do not pull too hard otherwise damage to the spring may occur. The conduit should then be fastened into position to prevent further recovering.

Hot Bending

For conduit sizes over 25 mm diameter, hot bending is required, with the same procedure as cold bending; but with the application of gentle heat just prior to bending with care being taken to avoid the direct application of flame to the conduit. When the conduit is in pliable state, slowly bend around a suitable former, holding the position for about one minute until set.

If the conduit is bent too fast or, particularly in the case of light conduit, there is a risk of damage to both the conduit and spring. Similarly once the bend has been made it should not be forced backwards, but be allowed to recover naturally.

Earthing

The properties of PVC make it an all insulated system and the use of separate earth cable is essential which greatly reduces the risk of poor earth continuity that can result from any breakdown of joint, which may occur in a steel system.

DIMENSIONS OF ROUND CONDUIT uPVC PIPES IS 9537-PART 3

Nominal Size (mm)	Outside Diameter (mm)	Tolerance on Outside Diameter (mm)	Inside Diameter (Min.) (mm)		
			Light	Medium	Heavy
20	20	-0.3	17.4	16.9	15.8
25	25	-0.4	22.1	21.4	20.6
32	32	-0.4	28.6	27.8	26.6
40	40	-0.4	35.8	35.4	34.4
50	50	-0.5	45.1	44.3	43.2
63	63	-0.6	57.0	-	-
#SPECIAL SIZES					
19	19	-0.3	16.5	16.0	15.1
38	38	-0.4	33.7	33.4	32.4

DIMENSIONS OF G.I. & M.S. CONDUIT PIPES

NORMAL SIZE	OUTSIDE DIAMETER	TOLERANCE OD	WALL THICKNESS	WALL THICKNESS TOLERANCE
MM	MM	MM	MM	MM
20	20	0, -0.3	1.60	±0.2
25	25	0, -0.4	1.60	±0.2
32	32	0, -0.4	1.60	±0.2
40	40	0, -0.4	2.00	+0.2, -0.4
50	50	0, -0.5	2.00	+0.2, -0.4

DIMENSIONS OF CORRUGATED FLEXIBLE CONDUITS

Nominal Diameter (mm)	Maximum Outside Diameter (mm)	Tolerance on Outside Diameter (mm)	Minimum Inside Diameter (mm)
10	10	-0.1	7.0
16	16	-0.3	10.7
20	20	-0.3	14.1
25	25	-0.4	18.3
32	32	-0.4	24.3
40	40	-0.4	31.2
50	50	-0.5	39.6
63	63	-0.6	52.6

DIMENSIONS OF GALVANIZED STEEL FLEXIBLE CONDUIT PIPES

Nominal Size (mm)	Nominal Size (inch)	OD (mm)	ID (mm)	BENDING radius/mm
16	1/2"	15.5	12.5	40
20	3/4"	22.5	19.5	55
25	1"	28	25.0	60
32	1 1/4"	35.0	32.0	70
40	1 1/2"	42.0	38.0	80
50	2	54.0	50.0	90

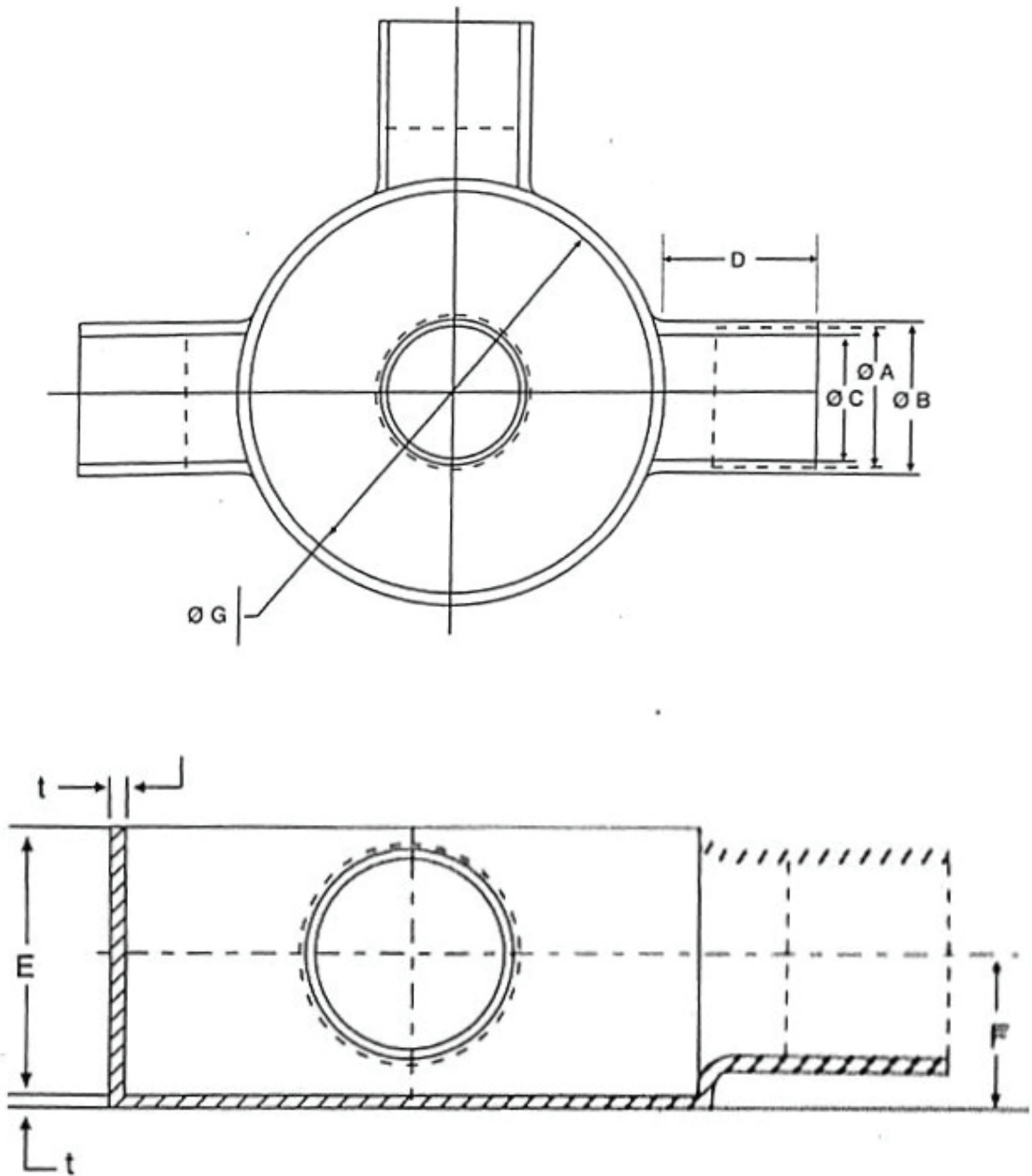
*Tolerance: Size below 50mm, +/- 1mm & above 50mm +/- 3mm

DIMENSIONS OF GALVANIZED STEEL FLEXIBLE CONDUIT PIPES WITH PVC COATING

Nominal Size (mm)	Nominal Size (inch)	OD (mm)	ID (mm)	BENDING radius/mm
16	1/2"	16.5	12.5	40
20	3/4"	23.5	19.5	55
25	1"	29	25.0	60
32	1 1/4"	36.5	32.0	70
40	1 1/2"	44.0	38.0	80
50	2	57.0	51.0	90

*Tolerance: Size below 50mm, +/- 1mm & above 50mm +/- 3mm

SPOUT TYPE - CIRCULAR JUNCTION BOXES
IS 3419:1988



NOMINAL OUTSIDE DIAMETER OF CONDUIT

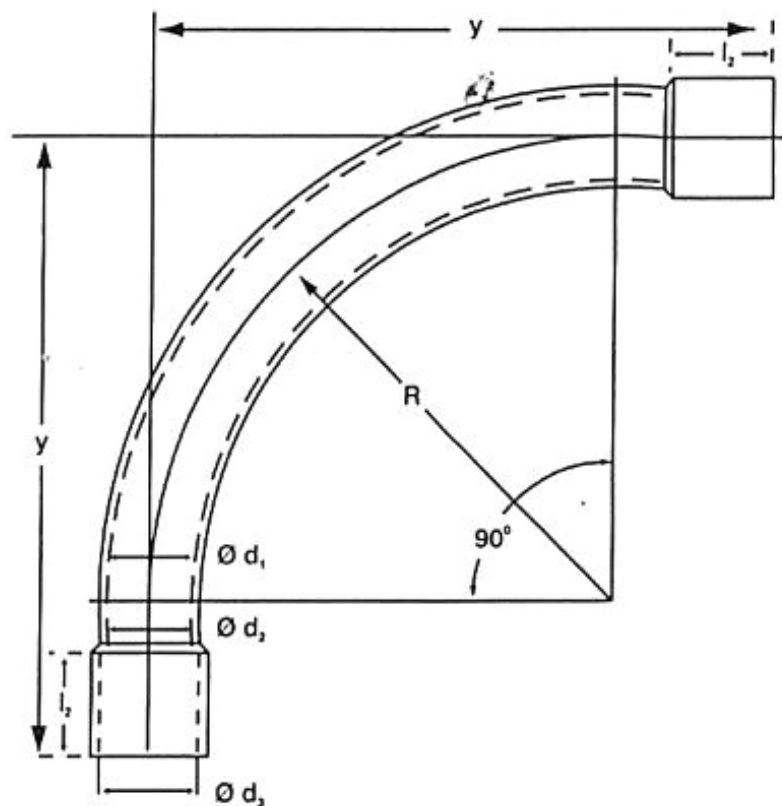
A	B MIN	C	D MIN	E MIN	F MAX	F MIN	G	T MIN
(1)	(2)	(3)	(4)	(5)	(6)	(7)	(8)	(9)
20	23.0	17.00 + 0.25	20.0	25	14.5	13.5	60 + 1.5	1.6
25	29.5	22.75 + 0.25	23.0	28	17.5	16.5	60 + 1.5	1.6

DEEP CIRCULAR JUNCTION BOX NOMINAL OUTSIDE DIAMETER OF CONDUIT

A	B MIN	C	D MIN	E MIN	F MAX	F MIN	G	T MIN
(1)	(2)	(3)	(4)	(5)	(6)	(7)	(8)	(9)
20	23.0	17.00 + 0.25	20.0	65 + 0.2	14.5	13.5	60 + 1.5	1.6
25	29.5	22.75 + 0.25	23.0	65 + 0.2	17.5	16.5	60 + 1.5	1.6
32	35.5	29.5 + 0.5	24.0	65 + 0.2	19.5	18.5	60 + 1.5	1.6

SLIP TYPE COUPLING BENDS

All dimensions in millimeters.



Nominal Size	Outside Diameter of Bend d1	Minimum Inside Diameter of Bend d2	Inside Diameter of Collar d3	R	Y	L
(1)	(2)	(3)	(4)	(5)	(6)	(7)
20	20 - 0.3	16.9	20.1 + 0.2	65	115	35
25	25 - 0.3	21.3	25.1 + 0.3	90	160	35
32	32 - 0.3	27.9	32.1 + 0.3	125	215	45
40	40 - 0.3	35.5	40.1 + 0.4	160	260	45
50	50 - 0.3	44.7	50.1 + 0.4	210	310	55

MINI/MAXI TRUNKING PROFILE

Precision Trunking Profile system is designed to give improved appearance and security to surface cables with its wide range of Trunking sizes and fittings offers an efficient and economical solution to cable management. Trunking Profile consists of base and clip on lid which is fitted to the base by pressing it along its front face. The lid can be easily removed by lifting it from the base at one end and peeling it away. The lid has an easy closing mechanism, which is designed to give a securely closed installation, yet is easily accessible for maintenance or modification.

Mounting

Drill oversize holes on base of Trunking Profile to mechanically fix to the desired surface using flat head screws with washers. Fixing center should not be more than 400 mm apart, or more than 150 mm away from the end of the straight run.

Joints

At each joint 3 mm should be left for expansion. A fine toothed tension saw and mitre block should be used to cut the Trunking to provide a neat installation. Internal bends must be mitred to ensure total enclosure of Trunking Profile. External bends should be cut square with the corner and at angles and tees, cut the side wall of Trunking Profile for the cable entry. None of the cutting is critical as the clip on fittings have a built-in overlap for the lid and sidewalls.

CONDUIT AND TRUNKING CABLE CAPACITIES

Single-core PVC - insulated cables in straight runs of conduit not exceeding 3 meters in length.

For each cable it is intended to use, obtain the appropriate factor from Table 1 A.

Add all the cable factors so obtained and compare with the conduit factors given in Table 1 B.

The conduit size which will satisfactorily accommodate the cables in that size having a factor equal to or exceeding the sum of the cable factors.

Single-core PVC - Insulated cables In straight runs of conduit exceeding 3 meters in length, or in runs of any length incorporating bends or sets.

For each cable it is intended to use, obtain the appropriate factor from Table 1 C.

Add all the cable factors so obtained and compare with the conduit factors given in Table 1 D, taking into account the length of the run it is intended to use and the number of bends and sets in that run.

The Conduit size which will satisfactorily accommodate the cables is that size having a factor equal to or exceeding the sum of the cable factors.

TABLE 1A
Cable factors for short straight runs

Type of Conductor	Conductor cross sectional area (mm)	Factor
Soild	1.0	22
	1.5	27
	2.5	39
Stranded	1.5	31
	2.5	43
	4.0	58
	6.0	88
	10.0	146

TABLE 1B
Conduit factors for short straight runs

Conduit Dia (mm)	Factor
20	460
25	800
32	1400

TABLE 1C
Cable factors for short straight runs
or runs incorporative bends

Type of Conductor	Conductor cross sectional area (mm)	Factor
Soild or Stranded	1.0	16
	1.5	22
	2.5	30
	4.0	43
	6.0	58
	10.0	105

TABLE 1D
Conduit factors for runs incorporating bends

Length of run (mtr)	20	25	32	20	25	32	20	25	32	20	25	32	20	25	32
	Straight			One bend			Two bends			Three bends			Four bends		
1.0	Covered by Tables 1A and 1B			303	543	947	286	514	900	256	463	818	213	388	692
1.5				294	528	923	270	487	857	233	422	750	182	333	600
2.0				286	514	900	126	463	818	213	388	692	159	292	529
2.5				278	500	878	244	442	783	196	358	643	141	260	474
3.0				270	487	857	233	422	750	182	333	600	-	-	-
3.5	290	521	911	263	475	837	222	404	720	163	311	563	-	-	-
4.0	286	514	900	256	463	818	213	388	692	159	292	529	-	-	-
4.5	282	507	889	250	452	800	204	373	667	149	260	474	-	-	-
5.0	278	500	878	244	442	783	196	358	643	141	260	474	-	-	-
6.0	270	487	857	233	422	750	182	333	600	-	-	-	-	-	-
7.0	263	475	837	222	404	720	169	311	563	-	-	-	-	-	-
8.0	256	463	818	213	388	692	159	292	529	-	-	-	-	-	-
9.0	250	452	800	204	373	667	149	275	500	-	-	-	-	-	-
10.0	244	442	783	196	358	643	141	260	474	-	-	-	-	-	-

The content of all the technical information are for guidance only, if you have any query as to the interpretation of the information contained therein, please refer to the standard itself or contact Precision Plastic Industries Pvt.Ltd. In accordance with our policy of continual improvement, Precision Plastic Industries Pvt.Ltd. reserve the right to change specifications & designs without notice.



Precision Plastic Industries Pvt. Ltd.

19/D, Nand Jyot Industrial Estate,
Safed Pool, Andheri - Kurla Road,
Andheri (East), Mumbai - 400072.
INDIA

☎ customer care : +91 77150 00015

✉ electrical@precisionpipes.com

🌐 www.precisionpipes.com

