

AUTOMATION • REGOLUS SWITCH DISCONNECTORS



GIOVENZANA

INTERNATIONAL B.V.



GIOVENZANA INTERNATIONAL B.V.

REGOLUS SWITCH DISCONNECTORS
SQ • SQN • SE Series



**QUALITY
AS A LIFE
STYLE**

www.giovenzana.com



GENERAL INDEX

REGOLUS SWITCH DISCONNECTORS

2 AUTOMATION TECHNOLOGIES

SQ SERIES



- 5** REGOLUS SQ SERIES
- 6** TECHNICAL CHARACTERISTICS SQ
- 8** SQ025 - SQ032 BODIES
- 14** SQ025 - SQ032 ACCESSORIES
- 16** SQ040 - SQ063 BODIES
- 22** SQ040 - SQ063 ACCESSORIES
- 24** SQ ACTUATORS
- 32** COMPLETE DEVICES IN ENCLOSURES
- 40** SQ ENCLOSURES
- 42** MOUNTING INSTRUCTIONS SQ SERIES

SQN SERIES



- 45** REGOLUS SQN SERIES
- 46** TECHNICAL CHARACTERISTICS SQN
- 48** SQN BODIES
- 50** SQN ACCESSORIES
- 51** SQN ACTUATORS
- 52** COMPLETE DEVICES IN ENCLOSURES
- 54** MOUNTING INSTRUCTIONS SQN SERIES

SE SERIES



- 57** REGOLUS SE SERIES
- 58** TECHNICAL CHARACTERISTICS SE
- 60** SE BODIES
- 66** SE ACCESSORIES
- 67** SE ENCLOSURES
- 68** SE ACTUATORS
- 74** COMPLETE DEVICES IN ENCLOSURES
- 82** MOUNTING INSTRUCTIONS SE SERIES

84 NOTES



AUTOMATION TECHNOLOGIES

AUTOMATION

The solutions offered by **Giovenzana** are the results of the detailed analysis of industrial electrical accessories requirements in conformity with all relevant international standards. The range includes:

- Cam switches Phoenix series from 12A to 200A;
- Switch disconnectors Regolus series from 32A to 160A;
- Auxiliary Controls Pegasus, Orion and NEMA series;
- Limit switches available in pre-wired and thermoplastic version;
- Foot switches and micro switches.

QUALITY

Giovenzana, leader in the elevator and lifting equipment field, has gained a prominent position in the automation sector with the launch of industrial control devices into the market. For many years, all commercial and industrial operations have been integrated within the **UNI EN ISO 9001:2008** quality system.

CSQ certificate N 9105. GIOV.

Quality system is the end users guarantee that all production stages are closely followed under strict control and adhere to the requirements set by the company both in terms of customer expectations and compliance to the relevant international standards as proved by the various certificates **Giovenzana** holds for its products.

By the **UNI EN ISO 14001:2004**, **Giovenzana** keeps up with new technologies in order to reduce raw materials consumption, energy and natural resources and to minimize waste and emissions. This reduces the environmental impact.

The certification CSQ N 9191. GIBV.

COMPLIANCE

All **Giovenzana** products are manufactured according to the most relevant Cee directives. **Giovenzana** certifies this compliance with a declaration of conformity.

CERTIFICATIONS

In order to reach its high quality level **Giovenzana's** products are tested by multiple third parties. In order to obtain the UL mark, **Giovenzana** submits their products to Underwriter Laboratories Inc., one of the most eminent independent certification companies in the World.

CEE DIRECTIVES

From January 1st, 1997 it is compulsory to CE mark all electromechanical products: this has been outlined by an important regulation: 2006/95/CE Low Voltage Directives.

CE MARK

European directives, applied to all national regulations, set the minimum requirements in term of safety of all electrical material sold within the EU.

Compliance to these requirements is certified by the manufacturer by the CE mark placed on the products.

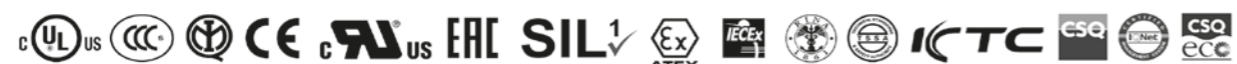
STANDARDS

Giovenzana's products comply with both the European EN and the American UL standards. These regulations, such as CEI EN 60204-1 (CEI 44-5) with regards to the safety requirements of the electrical circuits on board industrial machinery, define the characteristics, performance and use of the products.

EN EUROPEAN STANDARDS

The EN European standards are originated from IEC International standards and are the result of the collaboration between CENELEC (European Committee for Electrotechnical Standardization) member countries.

These standards cover and eliminate existing national standards that may be contradictory and non-compliant.





GIOVENZANA
INTERNATIONAL B.V.



GIOVENZANA
INTERNATIONAL B.V.



REGOLUS SWITCH DISCONNECTORS
SQ Series



REGOLUS SWITCH DISCONNECTORS

SQ Series

EXECUTION OVERVIEW AND GENERAL CHARACTERISTICS

TECHNICAL CHARACTERISTICS



REGOLUS SWITCH DISCONNECTORS

The disconnectors Regolus Series, built to the most stringent European and international standards (IEC / EN 60947-3, UL508), meet all the safety requirements.

The long industrial experience combined with the use of the best materials, plant and most modern design tools, enables us to produce a range of high quality equipment placing Giovenzana brand as synonymous of reliability, operational reliability and durability of its products.

SQ SERIES

The disconnectors modular SQ Series from 32A to 80A, 2-3 poles have the possibility to install additional poles, auxiliary contacts and terminal IP20 protections.

CHARACTERISTICS

- Rated current from 32A to 80A
- Series modular with 3 extensible poles
- Additional pole (4th pole) and

AVAILABLE VERSIONS

- Switch disconnectors 6 poles and changeover 3 poles
- Panel mounting Screw Fixing
- Panel mounting Ø22,5mm Central Hole Fixing (SQ025 - SQ032 only)
- Base Mounting
- Door locking
- Direct command

COMPLY WITH RULES

- IEC/EN 60947-3, UL508
- IEC/EN 60947-5-1, UL508 (auxiliary contacts)



SERIES		SQ025 - SQ032	SQ040 - SQ063	AUXILIARY CONTACTS		
Protection class	control terminals EN 60529 (UL50 ♦) NEMA 4X	IP65 (Type 1 - 4 -4X)	IP65 (Type 1 - 4 -4X)	-		
Material Group	EN 60947-1	II	II	II		
Pollution Grade	EN 60947-1	3	3	3		
Flammability	UL94	VO (Live Electric parts)	VO (Live Electric parts)	VO (Live Electric parts)		
Ambient Temperature	°C	Operating: -25 +55	Operating: -25 +55	Operating: -25 +55		
	°C	Storage: -30 +70	Storage: -30 +70	Storage: -30 +70		
Climate Withstand	IEC 68 part 2-3	Constant Hot Damp	Constant Hot Damp	Constant Hot Damp		
	IEC 68 part 2-30	Cyclical Hot Damp	Cyclical Hot Damp	Cyclical Hot Damp		
Connections	Terminal Block Caliber EN60947-1	A6	A8	A2		
	Terminal Screw	M4	M5	M3,5		
	Screwing Torque EN60947-1	1,2 Nm	3 Nm	0,8 Nm		
	UL508	7 lb. in. (0,8 Nm)	32,0 lb. in. (3,6 Nm)	12 lb. in.		
Connectable Section	Flexible Conductors n°1 min/max	mm² 1,5 - 10	6 - 25	1 - 2,5		
		AWG 12 - 8	10 - 2	18 - 12		
	Solid Conductors n°1 min/max	mm² 1,5 - 10	10 - 35	1 - 2,5		
		AWG 12 - 8	10 - 2	18 - 12		
Contacts		Slow Opening	Slow Opening	Slow opening Double-Break		
		Double-Break	Double-Break	Positive opening for NC ♦		
Opening Angles		90°	90°	-		
Mechanical Lifetime	nr. of cycles	100.000	100.000	1.500.000		
Maximum Altitude	Until 2000 mt Derating	Standard	Standard	-		
	Over 2000 mt Voltage Derating (V)	< 1% ogni 100 m	< 1% ogni 100 m	-		
	Power Derating (A)	< 1% ogni 1000 m	< 1% ogni 1000 m	-		
CERTIFICATIONS		SQ025	SQ032	SQ040	SQ063	AUXILIARY CONTACTS
CE	CE mark - Europe	■	■	■	■	■
cUL	cUL Listed - USA and Canada	●	●	●	●	●
IMQ	Istituto Marchio Qualità (IMQ) - Italy	●	●	●	●	●
CCC	CCC China					●
EAC	EAC Russia					●

EN 60947-3 CHARACTERISTICS		SQ025	SQ032	SQ040	SQ063	AUXILIARY CONTACTS
Rated operating voltage Ue	V	690	690	690	690	690
Rated insulation voltage Ui	V	690	690	690	690	690
Rated impulse withstand voltage Uimp (sectionable)	kV	8	8	8	8	4
Rated thermal current Ith	A	32	40	63	80	16
Rated thermal current in enclosed Ithe	A	32	40	63	80	10
Frequency	Hz	50/60	50/60	50/60	50/60	50/60

RATED OPERATING CURRENT Ie: alternate current		SQ025	SQ032	SQ040	SQ063	AUXILIARY CONTACTS
AC-21A Switching resistive loads with light overloads	690V A	32	40	63	80	AC-15 240V - 5A
AC-22A Switching mixed resistive and inductive loads at light overloads	500V A	-	-	-	-	DC-13 250V - 0,44A
AC-23A Periodic switching of motors 3 phases - 3 poles	690V A	25	32	63	80/-	-
	230V A/kW	25/7,5	32/10	63/-	80/-	-
	400V A/kW	25/15	32/18,5	50/-	75/-	-
	500V A/kW	25/15	32/22	50/-	75/-	-
AC3 Starting of cage motors (interruption hile running) 3 phases - 3 poles	690V A/kW	16/15	20/18,5	26/-	32/-	-
	230V A/kW	22/5,5	27/7,5	45/-	60/-	-
	400V A/kW	22/11	27/15	40/-	60/-	-
Nominal interruption power AC-23A (cosfi 0,45)	500V A/kW	22/11	27/18,5	35/-	45/-	-
	690V A/kW	16/11	20/15	22/-	25/-	-
	230V A	200	256	360	600	-
	400V A	200	256	360	536	-
	500V A	200	256	280	536	-
	690V A	128	160	176	256	-

SHORT CIRCUIT CHARACTERISTICS		SQ025	SQ032	SQ040	SQ063	AUXILIARY CONTACTS
Corrente nominale di breve durata Icw (1 s)	A	800	800	1200	1500	-
Potere nominale di chiusura sotto cortocircuito Icm	A	1500	1500	2200	2800	-
Corrente condizionale di cortocircuito	kA	10	10	10 5	10 5	1
Fusibili classe gG	500V A	-	-	-	-	10
	690V A	40	40	63 80	63 80	-

UL 508 CHARACTERISTICS		SQ025	SQ032	SQ040	SQ063	AUXILIARY CONTACTS
General Use	600V AC A	32	40	60	80	HD A600 AC Q600 DC
Standard motor load single phase - 2 poles	120V AC HP (FLA)	1,5 (20)	2 (24)	2 (24)	3 (34)	-
	200-208V AC HP	2	3	3	5	-
	240V AC HP (FLA)	3 (17)	5 (28)	5 (28)	7,5 (40)	-
Standard motor load 3 phases - 3 poles	200-208V AC HP	7,5	10	7,5	10	-
	240V AC HP (FLA)	7,5 (22)	10 (28)	10 (28)	15 (42)	-
	480V AC HP (FLA)	10 (14)	15 (21)	25 (34)	30 (40)	-
	600V AC HP (FLA)	15 (17)	20 (22)	30 (32)	40 (41)	-

PANEL MOUNTING

Dimensions and details of fixing holes

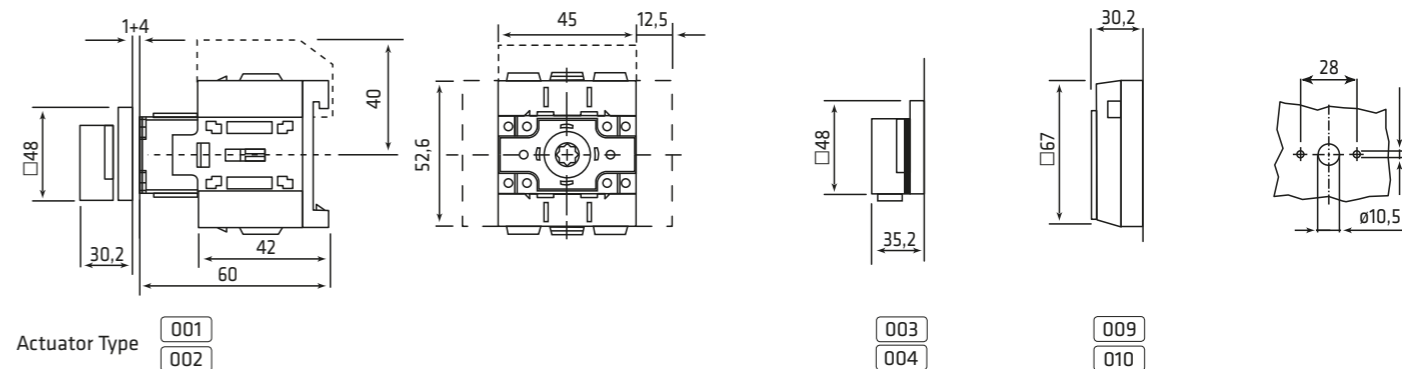
TYPE R



- ➔ Screw Fixing.
- ➔ See page 24 for combinable actuators.

SERIES	AC-21A	AC-23A	CODE	
	AMP. 690V	AMP. 400V	2 POLES	3 POLES
SQ025	32	25	SQ025002R	SQ025003R
SQ032	40	32	SQ032002R	SQ032003R

	2 POLES 	3 POLES
--	--------------------	--------------------



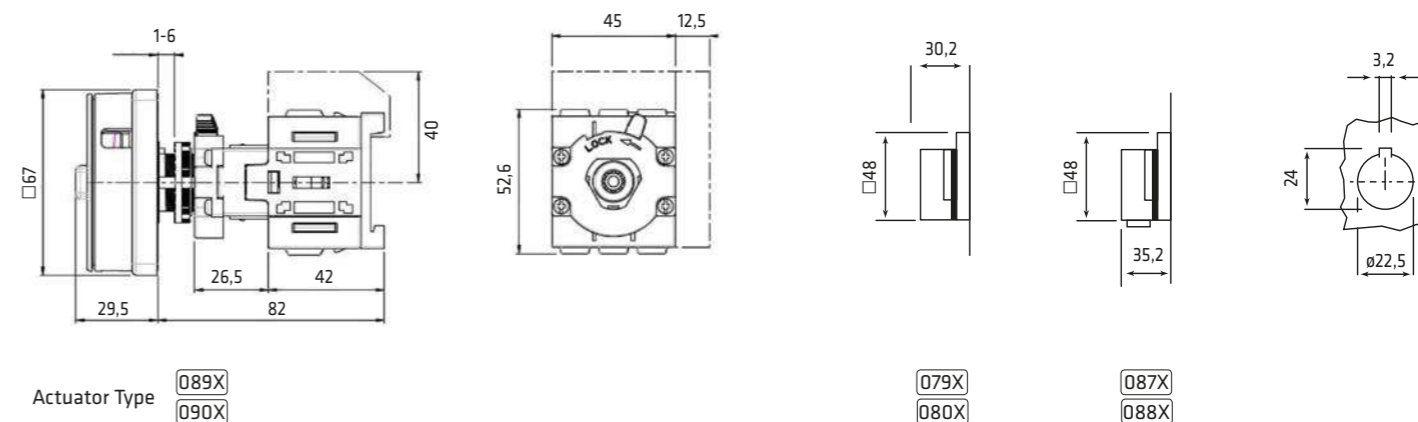
TYPE X



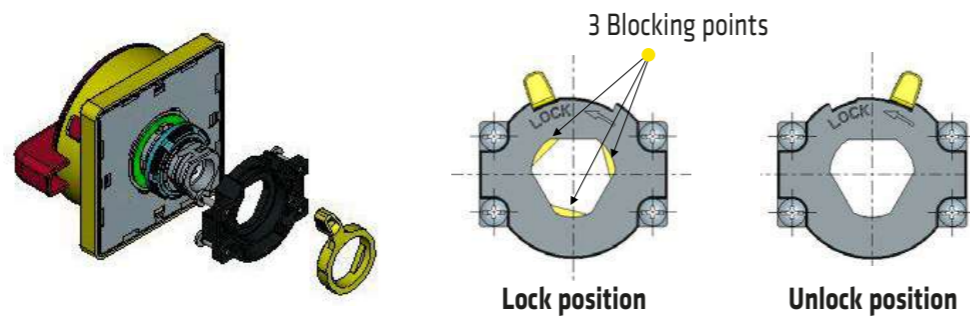
- ➔ ø22,5 Central hole fixing panel.
- ➔ See page 26 for combinable actuators.

SERIES	AC-21A	AC-23A	CODE	
	AMP. 690V	AMP. 400V	2 POLES	3 POLES
SQ025	32	25	SQ025002X	SQ025003X
SQ032	40	32	SQ032002X	SQ032003X

	2 POLES 	3 POLES
--	--------------------	--------------------



New support D.22
for Regulus switch disconnectors



BODIES | REGOLUS SWITCH DISCONNECTORS

SQ025 - SQ032 Series | BASE MOUNTING

BASE MOUNTING

Dimensions and details of fixing holes

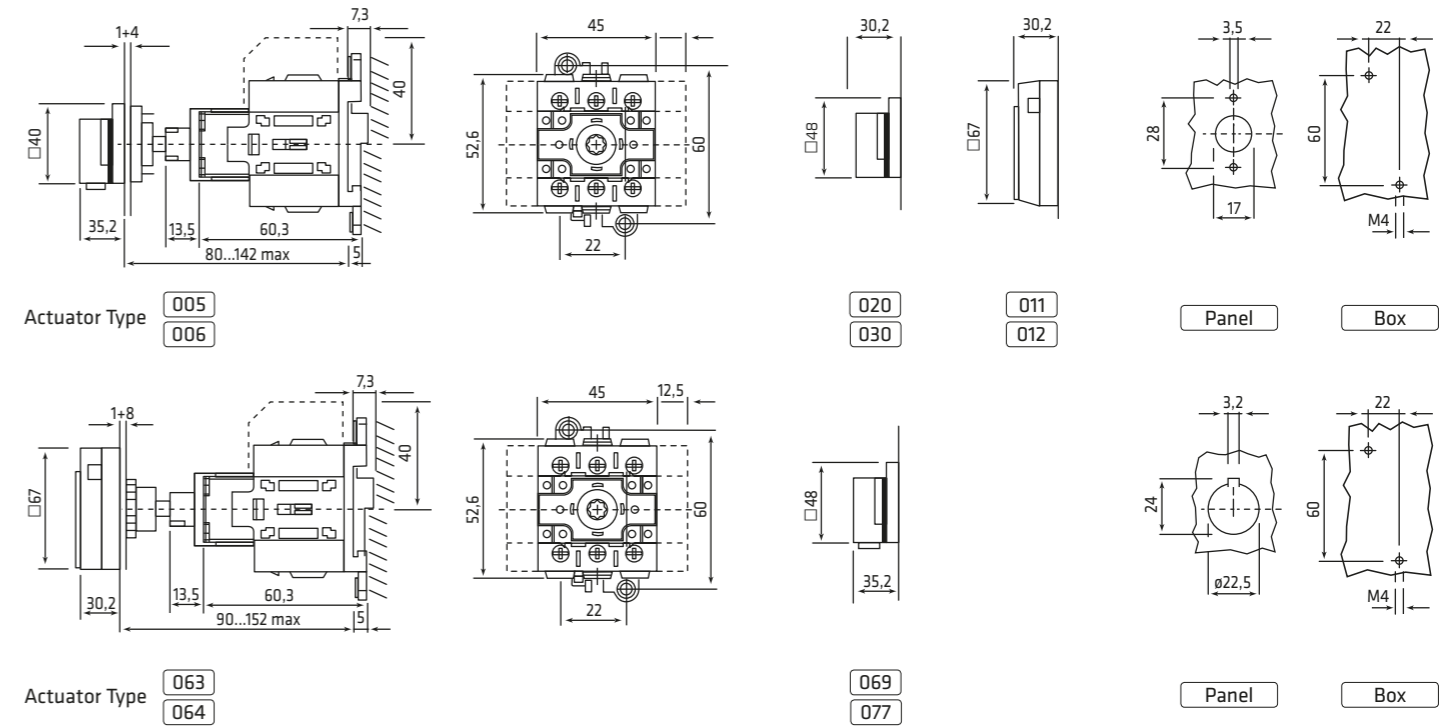
TYPE B



- Fixing box DIN RAIL DIN-EN 50022-35.
- Suitable for Door Locking actuators.
- See page 25 and 29 for combinable actuators.

SERIES	AC-21A	AC-23A	CODE	
	AMP. 690V	AMP. 400V	2 POLES	3 POLES
SQ025	32	25	SQ025002B	SQ025003B
SQ032	40	32	SQ032002B	SQ032003B

	2 POLES 	3 POLES
--	--------------------	--------------------



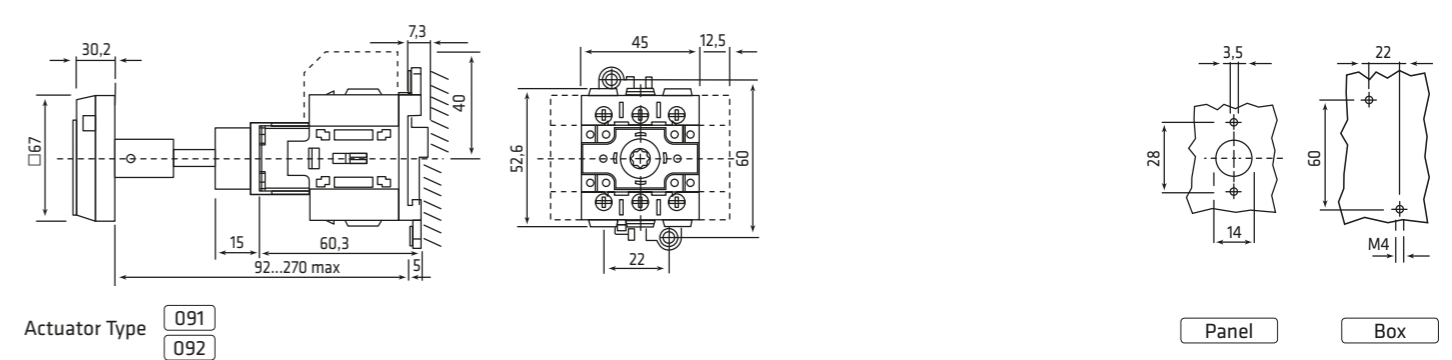
TYPE K



- Fixing box DIN RAIL DIN-EN 50022-35.
- Door locking with shaft fixed on the actuators.
- See page 25 for combinable actuators.

SERIES	AC-21A	AC-23A	CODE	
	AMP. 690V	AMP. 400V	2 POLES	3 POLES
SQ025	32	25	SQ025002K	SQ025003K
SQ032	40	32	SQ032002K	SQ032003K

	2 POLES 	3 POLES
--	--------------------	--------------------



BASE MOUNTING WITH DIRECT COMMAND

Dimensions and details of fixing holes

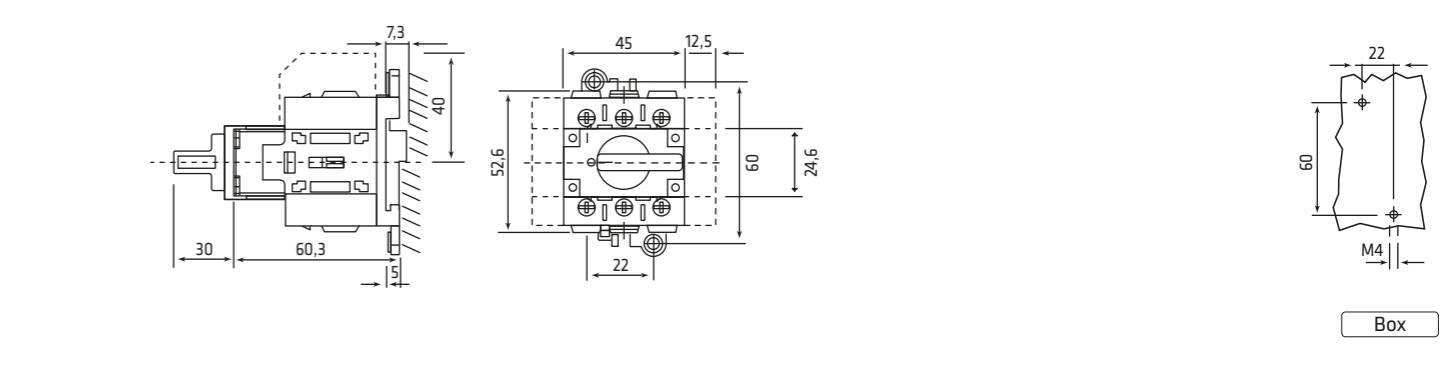
TYPE D - L1N



- Fixing box DIN RAIL DIN-EN 50022-35.
- Black knob locking in "0-OFF" position.

SERIES	AC-21A	AC-23A	CODE	
	AMP. 690V	AMP. 400V	2 POLES	3 POLES
SQ025	32	25	SQ025002DL1N	SQ025003DL1N
SQ032	40	32	SQ032002DL1N	SQ032003DL1N

	2 POLES 	3 POLES
--	--------------------	--------------------



PANEL MOUNTING

TYPE R



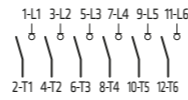
- Screw fixing.
- See page 24 for combinable actuators.

SERIES	AC-21A	AC-23A	CODE	
	AMP. 690V	AMP. 400V	6 POLES	CHANGEOVER 3 POLES
SQ025	32	25	SQ025006R	SQ025033R
SQ032	40	32	SQ032006R	SQ032033R

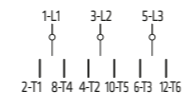
90°



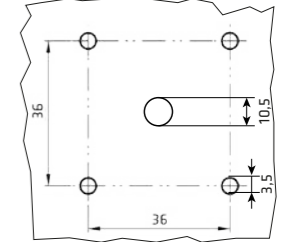
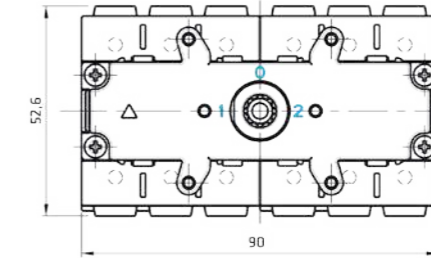
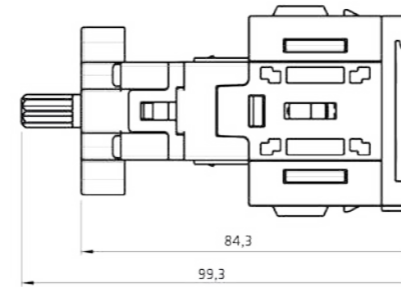
6 POLES



3 POLES



Dimensions and details of fixing holes



Panel

BASE MOUNTING

TYPE B



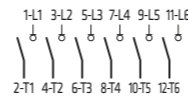
- Fixing box DIN RAIL DIN-EN 50022-35.
- Suitable for Door Locking actuators.
- See page 25 for combinable actuators.

SERIES	AC-21A	AC-23A	CODE	
	AMP. 690V	AMP. 400V	6 POLES	CHANGEOVER 3 POLES
SQ025	32	25	SQ025006B	SQ025033B
SQ032	40	32	SQ032006B	SQ032033B

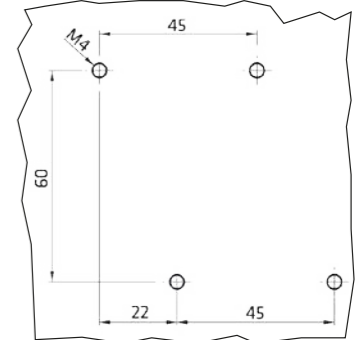
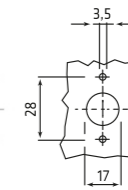
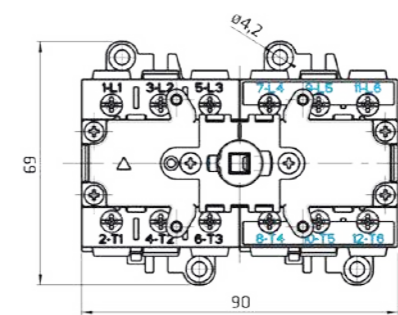
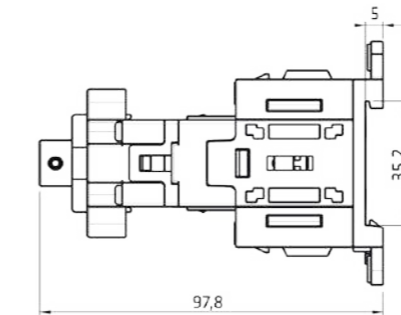
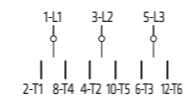
90°



6 POLES



3 POLES



Panel

Box



PANEL MOUNTING

ADDITIONAL POLES



SERIES	DESCRIPTION	CODE	DIAGRAM
SQ025 SQ032	Additional Pole NO	SQ025AFPR SQ032AFPR	7 — 8
	4 th Pole (early make contact)	SQ025ANIR SQ032ANIR	N — N
	Neutral Terminal	SQ025ANPR SQ032ANPR	N — N
	Ground Terminal	SQ025APER SQ032APER	PE — PE

AUXILIARY CONTACTS



SERIES	DESCRIPTION	CODE	DIAGRAM
SQ025 SQ032	AUX 1NC	SQ010AS1R	1NC 1 — 2
	AUX 1NO	SQ010AS2R	1NO 3 — 4

TERMINAL PROTECTION



3 POLES	1 POLE
20900024	20900025



FIXING KEY



FIXING KEY DEVICE FOR FIXING HOLE Ø 22,5 mm
PCF

BASE MOUNTING

ADDITIONAL POLES



SERIES	DESCRIPTION	CODE	DIAGRAM
SQ025 SQ032	Additional Pole NO	SQ025AFPB SQ032AFPB	7 — 8
	4 th Pole (early make contact)	SQ025ANIB SQ032ANIB	N — N
	Neutral Terminal	SQ025ANPB SQ032ANPB	N — N
	Ground Terminal	SQ025APEB SQ032APEB	PE — PE

AUXILIARY CONTACTS



SERIES	DESCRIPTION	CODE	DIAGRAM
SQ025 SQ032	AUX 1NC	SQ010AS1B	1NC 1 — 2
	AUX 1NO	SQ010AS2B	1NO 3 — 4

TERMINAL PROTECTION



3 POLES	1 POLE
20900023	20900025



FIXING KEY



FIXING KEY DEVICE FOR FIXING HOLE Ø 22,5 mm
PCF

SHAFT EXTENSIONS



SHAFT EXTENSION □ 5 FOR DOOR INTERLOCK TYPE B	
L 185 mm	20401089
L 300 mm	20401164

PANEL MOUNTING

Dimensions and details of fixing holes

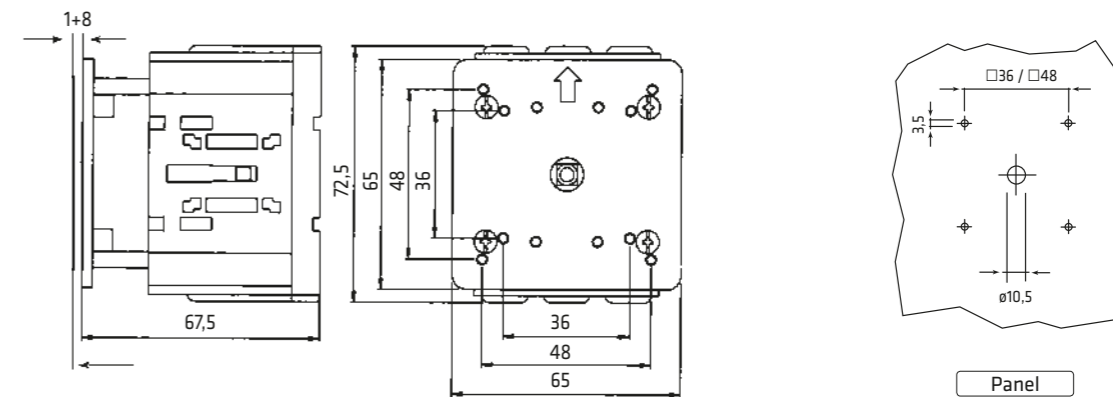
TYPE R



- Screw fixing.
- See page 26 for combinable actuators.

SERIES	AC-21A	AC-23A	CODE	
	AMP. 690V	AMP. 400V	2 POLES	3 POLES
SQ040	63	50	SQ040002R	SQ040003R
SQ063	80	75	SQ063002R	SQ063003R

	2 POLES 1-L1 5-L3 2-T1 6-T3	3 POLES 1-L1 3-L2 5-L3 2-T1 4-T2 6-T3
--	--	--



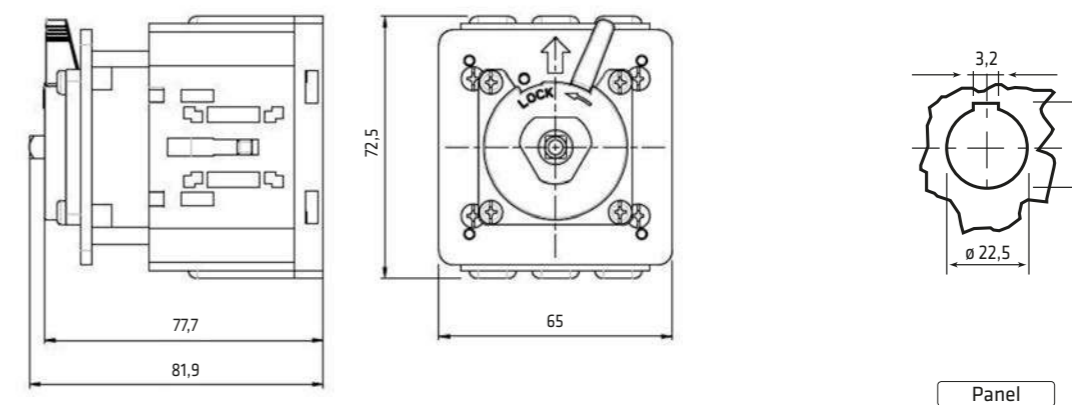
TYPE X



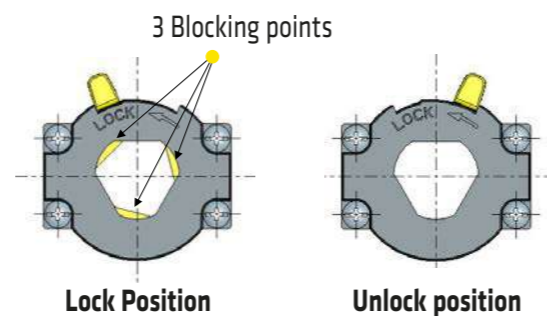
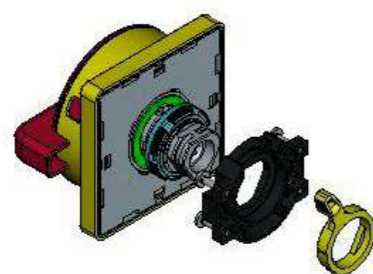
- ø22,5 mm Central hole fixing panel.
- See page 30 for combinable actuators.

SERIES	AC-21A	AC-23A	CODE	
	AMP. 690V	AMP. 400V	2 POLES	3 POLES
SQ040	63	50	SQ040002X	SQ040003X
SQ063	80	75	SQ063002X	SQ063003X

	2 POLES 1-L1 5-L3 2-T1 6-T3	3 POLES 1-L1 3-L2 5-L3 2-T1 4-T2 6-T3
--	--	--



New Support D.22
for Regulus switch disconnectors



BASE MOUNTING

TYPE B



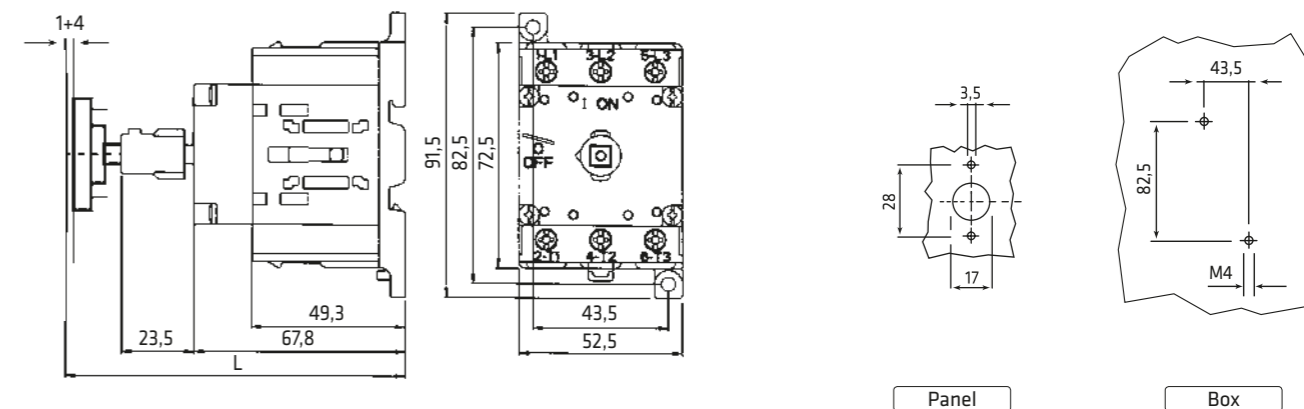
- Fixing box DIN RAIL DIN-EN 50022-35.
- Suitable for Door Locking actuators with shaft fixed on switch disconnectors body.
- See page 27 and 31 for combinable actuators.

SERIES	AC-21A	AC-23A	CODE	
	AMP. 690V	AMP. 400V	2 POLES	3 POLES
SQ040	63	50	SQ040002B	SQ040003B
SQ063	80	75	SQ063002B	SQ063003B

2 POLES	3 POLES
1-L1 5-L3 2-T1 6-T3	1-L1 3-L2 5-L3 2-T1 4-T2 6-T3

Dimensions and details of fixing holes

	STANDARD SHAFT	EXTENSION SHAFT □6 CODE 20900010
L min	112	112 (with cut shaft)
L max	142	242



BASE MOUNTING WITH DIRECT COMMAND

TYPE D - L2N

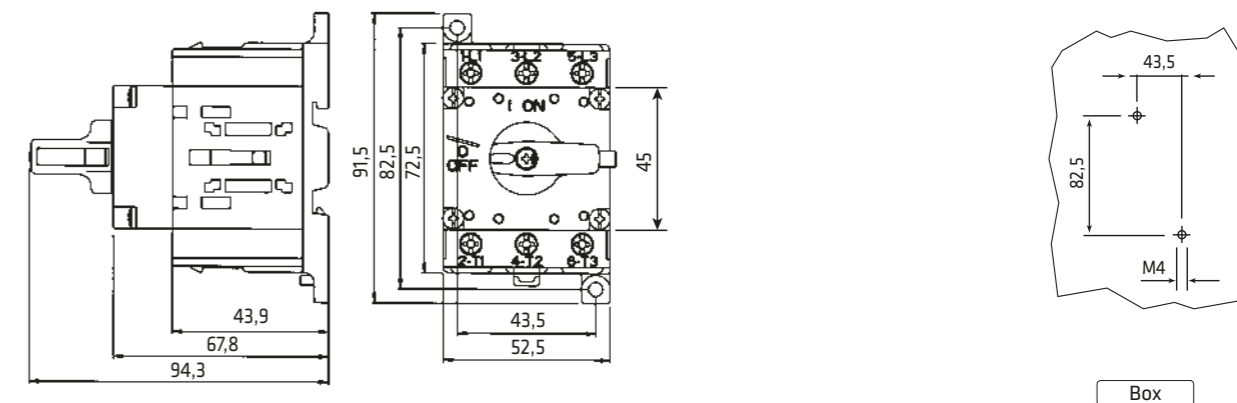


- Fixing box DIN RAIL DIN-EN 50022-35.
- Black knob locking in "0-OFF" position.

SERIES	AC-21A	AC-23A	CODE	
	AMP. 690V	AMP. 400V	2 POLES	3 POLES
SQ040	63	50	SQ040002DL2N	SQ040003DL2N
SQ063	80	75	SQ063002DL2N	SQ063003DL2N

2 POLES	3 POLES
1-L1 5-L3 2-T1 6-T3	1-L1 3-L2 5-L3 2-T1 4-T2 6-T3

Dimensions and details of fixing holes



PANEL MOUNTING

Dimensions and details of fixing holes

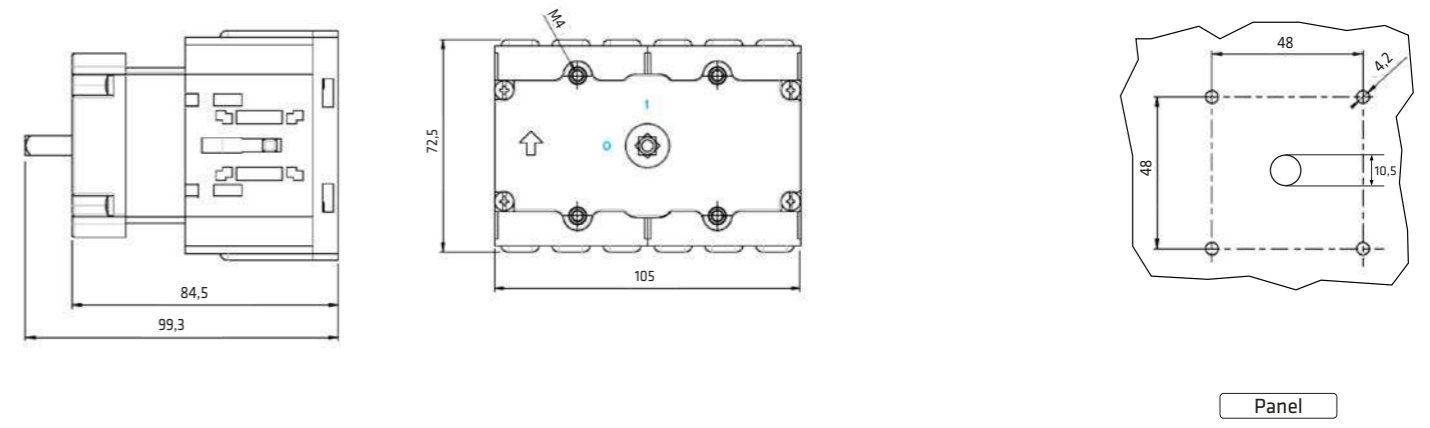
TYPE R



- Screw fixing.
- See page 26 for combinable actuators.

SERIES	AC-21A	AC-23A	PANEL MOUNTING	
	AMP. 690V	AMP. 400V	6 POLES	CHANGEOVER 3 POLES
SQ040	63	50	SQ040006R	SQ040033R
SQ063	80	75	SQ063006R	SQ063033R

90°	6 POLES
	3 POLES



BASE MOUNTING

Dimensions and details of fixing holes

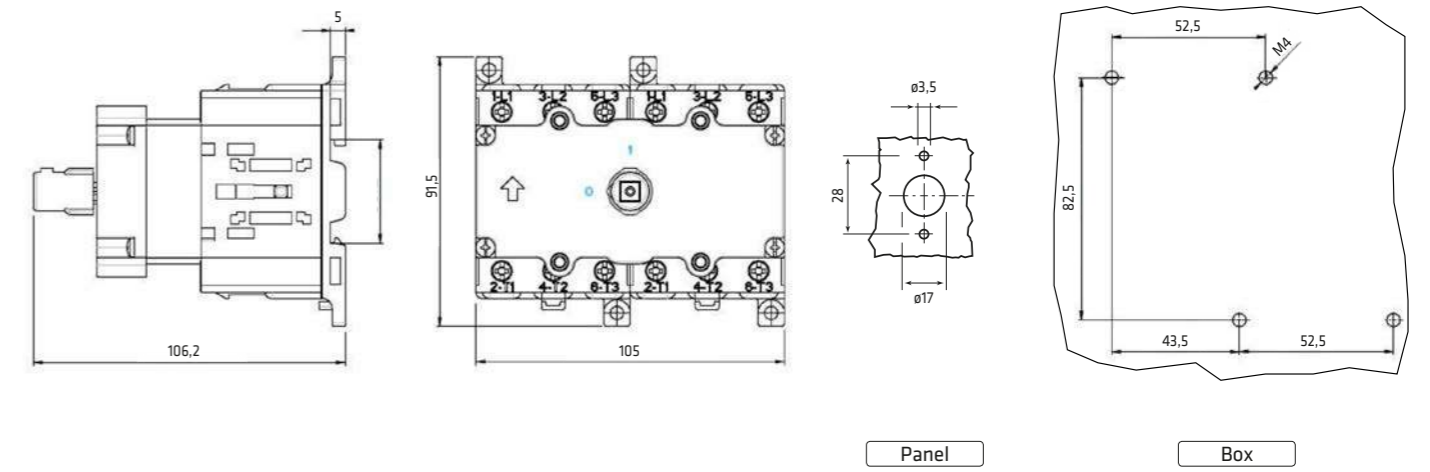
TYPE B



- Fixing box DIN RAIL DIN-EN 50022-35.
- Suitable for Door Locking actuators.
- See page 27 for combinable actuators.

SERIES	AC-21A	AC-23A	BASE MOUNTING	
	AMP. 690V	AMP. 400V	6 POLES	CHANGEOVER 3 POLES
SQ040	63	50	SQ040006B	SQ040033B
SQ063	80	75	SQ063006B	SQ063033B

90°	6 POLES
	3 POLES



PANEL MOUNTING

ADDITIONAL POLES

SERIES	DESCRIPTION	CODE	DIAGRAM
SQ040 SQ063	Additional Pole NO	SQ040AFPR SQ063AFPR	7 — 8
	4 th Pole (early make contact)	SQ040ANIR SQ063ANIR	N — N
		SQ040ANPR SQ063ANPR	N — N
	Neutral Terminal	SQ040APER SQ063APER	PE — PE
	Ground Terminal		

AUXILIARY CONTACTS

SERIES	DESCRIPTION	CODE	DIAGRAM
SQ040 SQ063	AUX 1NC	SQ010AS3R	1NC 1 — 2
	AUX 1NO	SQ010AS4R	1NO 3 — 4

TERMINAL PROTECTION

3 POLES	1 POLE
20900041	20900040

FIXING KEY

FIXING KEY DEVICE FOR FIXING HOLE Ø 22,5 mm
PCF

BASE MOUNTING

ADDITIONAL POLES

SERIES	DESCRIPTION	CODE	DIAGRAM
SQ040 SQ063	Additional Pole NO	SQ040AFPB SQ063AFPB	7 — 8
	4 th Pole (early make contact)	SQ040ANIB SQ063ANIB	N — N
		SQ040ANPB SQ063ANPB	N — N
	Neutral Terminal	SQ040APEB SQ063APEB	PE — PE
	Ground Terminal		

AUXILIARY CONTACTS

SERIES	DESCRIPTION	CODE	DIAGRAM
SQ040 SQ063	AUX 1NC	SQ010AS3B	1NC 1 — 2
	AUX 1NO	SQ010AS4B	1NO 3 — 4

TERMINAL PROTECTION

3 POLES	1 POLE
20900041	20900040

FIXING KEY

FIXING KEY DEVICE FOR FIXING HOLE Ø 22,5 mm
PCF

SHAFT EXTENSIONS

SHAFT EXTENSION □ 6 FOR DOOR INTERLOCK TYPE B	
L 185 mm	20900010
L 300 mm	20900011



ACTUATORS | PANEL MOUNTING TYPE R | SCREW FIXING

ACTUATORS | DOOR LOCKING TYPE B AND K | SCREW FIXING

SQ025 - SQ032 SERIES | EN 60529 - IP65 - UL50 Type 1 - 4 - 4x -12 [◆] Protection NEMA 4x.

Image	Features	Panel Mounting Type R				Door Locking Type B and K				
		SERIES	FRONT PLATE SIZE	CODE PANEL MOUNTING TYPE R	LEGEND PLATE	SERIES	FRONT PLATE SIZE	CODE DOOR LOCKING TYPE B ▶	CODE TIPO K	LEGEND PLATE
	<ul style="list-style-type: none"> Grey Plate Black knob 	SQ025 - SQ032	□48	001/0001-4V		SQ025 - SQ032	□48	020/0001	-	
				001/0008-4V				020/0008-90	-	
	<ul style="list-style-type: none"> Grey Plate Black knob Locking Facility (Max 1 lock) 	SQ025 - SQ032	□48	003/0001-4V ◆		SQ025 - SQ032	□48	005/0001 ◆	-	
				003/0008-4V ◆				005/0008-90 ◆	-	
	<ul style="list-style-type: none"> Grey Plate Black knob Locking Facility (Max 3 locks) 	SQ025 - SQ032	□67	009/0001-4V ◆		SQ025 - SQ032	□67	011/0001 ◆	091/0001	
	<ul style="list-style-type: none"> Yellow Plate Red knob 	SQ025 - SQ032	□48	002/0001-4V		SQ025 - SQ032	□48	030/0001	-	
				002/0008-4V				030/0008-90	-	
	<ul style="list-style-type: none"> Yellow Plate Red knob Locking Facility (Max 1 lock) 	SQ025 - SQ032	□48	004/0001-4V ◆		SQ025 - SQ032	□48	006/0001 ◆	-	
				004/0008-4V ◆				006/0008-90 ◆	-	
	<ul style="list-style-type: none"> Yellow Plate Red knob Locking Facility (Max 3 locks) 	SQ025 - SQ032	□67	010/0001-4V ◆		SQ025 - SQ032	□67	012/0001 ◆	092/0001	

▶ The actuator for DOOR LOCKING TYPE B includes the shaft □ 5 L85.



ACTUATORS | PANEL MOUNTING TYPE R | SCREW FIXING

ACTUATORS | DOOR LOCKING TYPE B | SCREW FIXING

SQ040 - SQ063 SERIES | EN 60529 - IP65 - UL50 Type 1 - 4 - 4x - 12 (◆) Protection NEMA 4x.


3 POLES				3 POLES					
 <ul style="list-style-type: none"> Grey Plate Black knob Locking Facility (Max 3 locks) 	SERIES	FRONT PLATE SIZE	CODE PANEL MOUNTING TYPE R	LEGEND PLATE	 <ul style="list-style-type: none"> Yellow Plate Red knob Locking Facility (Max 3 locks) 	SERIES	FRONT PLATE SIZE	CODE DOOR LOCKING TYPE B ▶	LEGEND PLATE
	SQ040 - SQ063 (3 poles)	□67	049/0001-L ◆			SQ040 - SQ063 (3 poles)	□67	321/0001 ◆	
		049/0008-L ◆				321/0008 ◆			
6 POLES				6 POLES					
 <ul style="list-style-type: none"> Grey Plate Black knob Locking Facility (Max 3 locks) 	SERIES	FRONT PLATE SIZE	CODE PANEL MOUNTING TYPE R	LEGEND PLATE	 <ul style="list-style-type: none"> Yellow Plate Red knob Locking Facility (Max 3 locks) 	SERIES	FRONT PLATE SIZE	CODE DOOR LOCKING TYPE B ▶	LEGEND PLATE
	SQ040 - SQ063 (6 poles)	ø78	309/0001			SQ040 - SQ063 (6 poles)	ø78	311/0001	
		309/0008				311/0008			
		310/0001		SQ040 - SQ063 (6 poles)	ø78	312/0001			
		310/0008				312/0008			

▶ The actuator for DOOR LOCKING TYPE B includes the shaft □ 6 L85.


ACTUATORS Ø22 | PANEL MOUNTING TYPE X | CENTRAL FIXING


ACTUATORS Ø22 | PANEL MOUNTING TYPE B | CENTRAL FIXING


SQ025 - SQ032 SERIES | EN 60529 - IP65 - UL50 Type 1 - 4 - 4x -12 [◆] Protection NEMA 4x.




- ➔ Grey Plate
- ➔ Black knob


SERIES	FRONT PLATE SIZE	CODE PANEL MOUNTING TYPE X	LEGEND PLATE
SQ025 - SQ032	□48	079X/0001	


SERIES	FRONT PLATE SIZE	CODE DOOR LOCKING TYPE B	LEGEND PLATE
SQ025 - SQ032	□48	095/0001	




- ➔ Grey Plate
- ➔ Black knob
- ➔ Locking Facility (Max 1 lock)


SERIES	FRONT PLATE SIZE	CODE PANEL MOUNTING TYPE X	LEGEND PLATE
SQ025 - SQ032	□48	087X/0001 ◆	


SERIES	FRONT PLATE SIZE	CODE DOOR LOCKING TYPE B	LEGEND PLATE
SQ025 - SQ032	□48	077/0001 ◆	




- ➔ Grey Plate
- ➔ Black knob
- ➔ Locking Facility (Max 3 locks)


SERIES	FRONT PLATE SIZE	CODE PANEL MOUNTING TYPE X	LEGEND PLATE
SQ025 - SQ032	□67	089X/0001 ◆	


SERIES	FRONT PLATE SIZE	CODE DOOR LOCKING TYPE B	LEGEND PLATE
SQ025 - SQ032	□67	063/0001 ◆	




- ➔ Yellow Plate
- ➔ Red knob

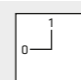
SERIES	FRONT PLATE SIZE	CODE PANEL MOUNTING TYPE X	LEGEND PLATE
SQ025 - SQ032	□48	080X/0001	


SERIES	FRONT PLATE SIZE	CODE DOOR LOCKING TYPE B	LEGEND PLATE
SQ025 - SQ032	□48	070/0001	




- ➔ Yellow Plate
- ➔ Red knob
- ➔ Locking Facility (Max 1 lock)


SERIES	FRONT PLATE SIZE	CODE PANEL MOUNTING TYPE X	LEGEND PLATE
SQ025 - SQ032	□48	088X/0001 ◆	

SERIES	FRONT PLATE SIZE	CODE DOOR LOCKING TYPE B	LEGEND PLATE
SQ025 - SQ032	□48	069/0001 ◆	



- ➔ Yellow Plate
- ➔ Red knob
- ➔ Locking Facility (Max 3 locks)

SERIES	FRONT PLATE SIZE	CODE PANEL MOUNTING TYPE X	LEGEND PLATE
SQ025 - SQ032	□67	090X/0001 ◆	

SERIES	FRONT PLATE SIZE	CODE DOOR LOCKING TYPE B	LEGEND PLATE
SQ025 - SQ032	□67	064/0001 ◆	

► The actuator for DOOR LOCKING TYPE B includes the shaft □ 5 L85.



ACTUATORS Ø22 | PANEL MOUNTING TYPE X | CENTRAL FIXING

ACTUATORS Ø22 | DOOR LOCKING TYPE B | CENTRAL FIXING

SQ040 - SQ063 SERIES | EN 60529 - IP65 - UL50 Type 1 - 4 - 4x -12 (◆) Protection NEMA 4x.



- ➔ Grey Plate
- ➔ Black knob
- ➔ Locking Facility (Max 3 locks)

SERIES	FRONT PLATE SIZE	CODE PANEL MOUNTING TYPE X	LEGEND PLATE
SQ040 - SQ063	□67	089X/0001 ◆	

SERIES	FRONT PLATE SIZE	CODE DOOR LOCKING TYPE B ▶	LEGEND PLATE
SQ040 - SQ063	□67	065/0001 ◆	



- ➔ Yellow Plate
- ➔ Red knob
- ➔ Locking Facility (Max 3 locks)

SERIES	FRONT PLATE SIZE	CODE PANEL MOUNTING TYPE X	LEGEND PLATE
SQ040 - SQ063	□67	090X/0001 ◆	

SERIES	FRONT PLATE SIZE	CODE DOOR LOCKING TYPE B ▶	LEGEND PLATE
SQ040 - SQ063	□67	066/0001 ◆	

COMPLETE DEVICES IN THERMOPLASTIC ENCLOSURES

SG Series | THERMOPLASTIC | Heat resistant material

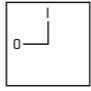
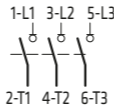
CO1

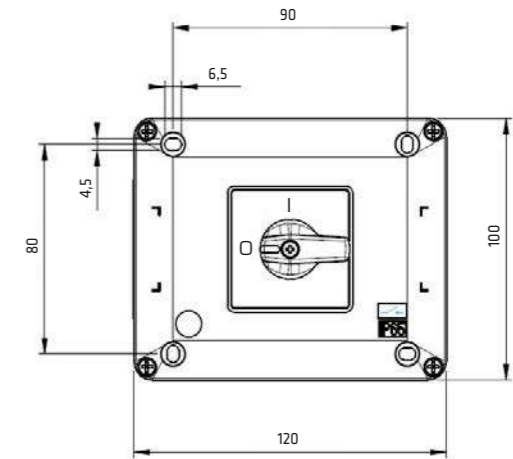
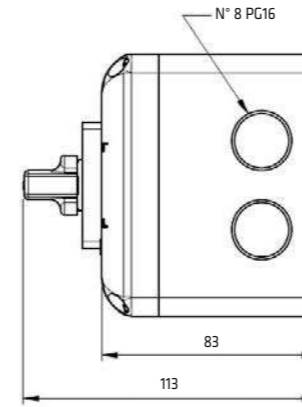
IP65 □



- Opening in "0" position.
- Arranged for nr. 8 Pg16 cable glands of which nr. 2 on the bottom.
- **Dimensions:** 120x100x85 mm.
- Black box - Grey cover - Black knob.

SERIES	AC-21A	AC-23A	CODE	
	AMP. 690V	AMP. 400V	3 POLES	
SQ025	32	25	SQ025003BC01	
SQ032	40	32	SQ032003BC01	

		3 POLES 
--	--	---



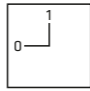
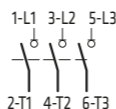
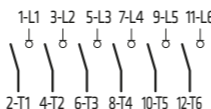
EO1

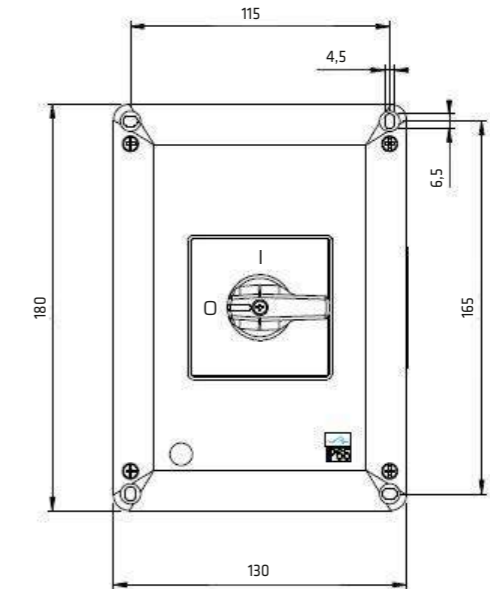
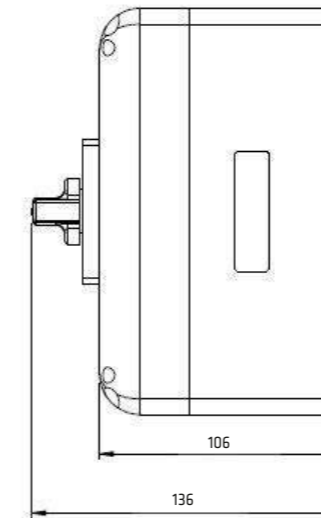
IP65 □



- Opening in "0" position.
- Arranged with nr. 4 cable glands M25/M32 + nr. 2 closed holes ø22,5 mm on the bottom.
- **Dimensions:** 130x180x106 mm.
- Black box - Grey cover - Black knob.

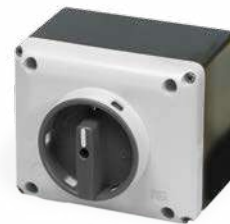
SERIES	AC-21A	AC-23A	CODE	
	AMP. 690V	AMP. 400V	3 POLES	6 POLES
SQ025	32	25	-	SQ025006BE01
SQ032	40	32	-	SQ032006BE01
SQ040	63	50	SQ040003BE01	-
SQ063	80	75	SQ063003BE01	-

		3 POLES 	6 POLES 
---	--	--	---



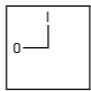
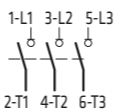
CO9

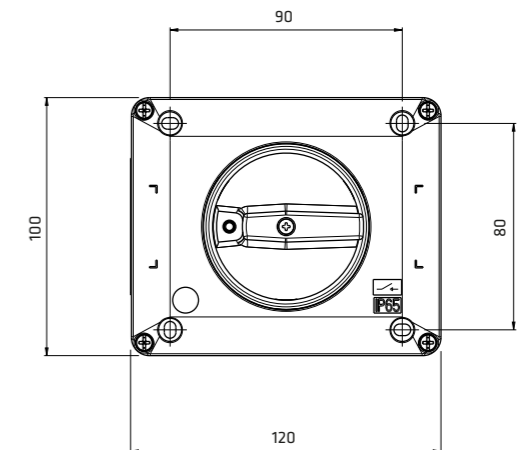
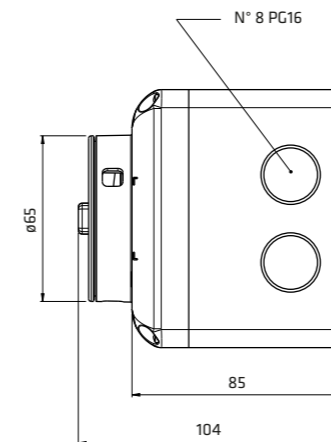
IP65 □



- Opening in "0" position.
- Arranged for nr. 8 Pg16 cable glands of which nr. 2 on the bottom.
- With locking facility in "0 - OFF" (Max 3 locks).
- **Dimensions:** 120x100x85 mm
- Black box - Grey cover - Black knob.

SERIES	AC-21A	AC-23A	CODE	
	AMP. 690V	AMP. 400V	3 POLES	
SQ025	32	25	SQ025003BC09	
SQ032	40	32	SQ032003BC09	

		3 POLES 
--	--	---





COMPLETE DEVICES IN THERMOPLASTIC ENCLOSURES **SG Series | THERMOPLASTIC | Heat resistant material**

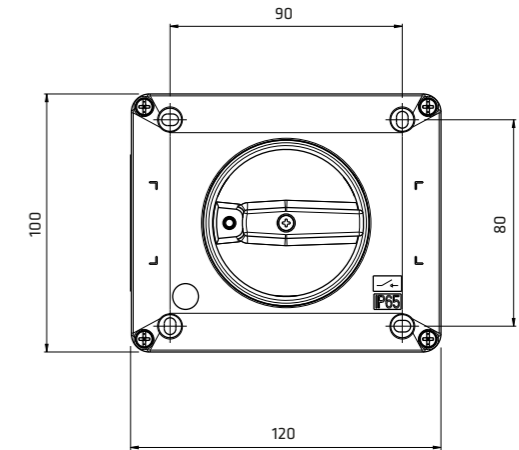
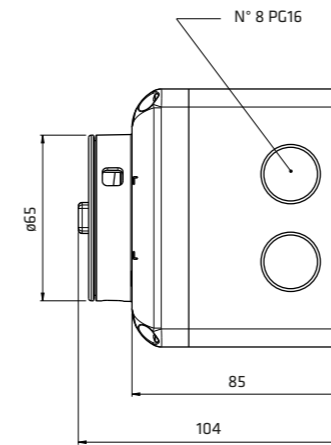
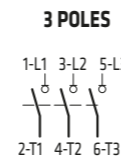
C10

IP65



- Opening in "0" position.
- Arranged for nr. 8 Pg16 cable glands of which nr. 2 on the bottom.
- With locking facility in "0 - OFF" (Max 3 locks).
- Dimensions:** 120x100x85 mm.
- Black box - Yellow cover - Red knob.

SERIES	AC-21A	AC-23A	CODE
	AMP. 690V	AMP. 400V	3 POLES
SQ025	32	25	SQ025003BC10
SQ032	40	32	SQ032003BC10



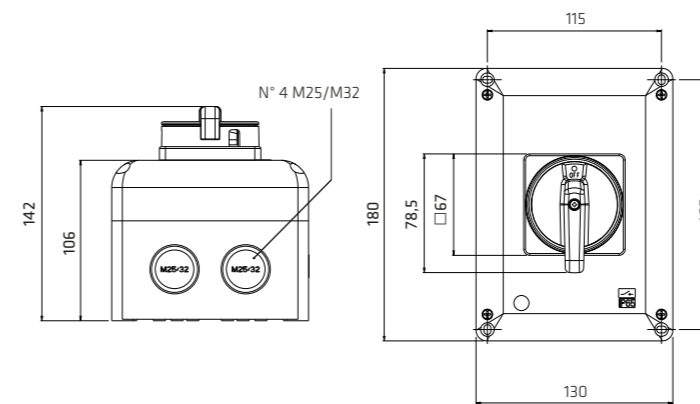
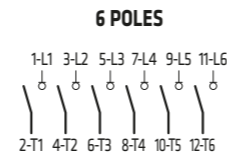
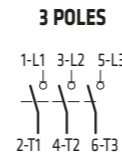
E09

IP65

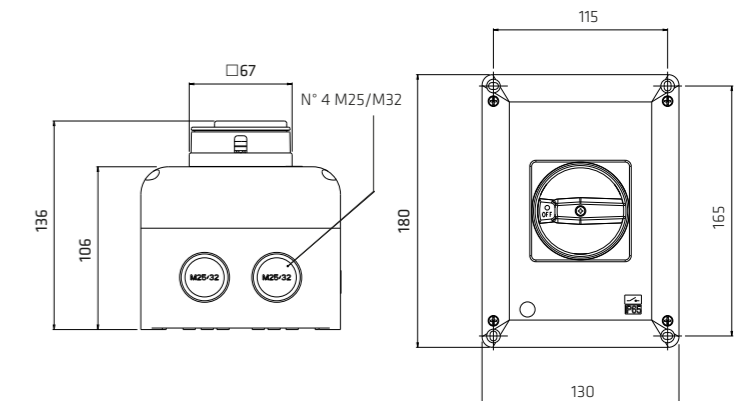


- Opening in "0" position.
- Arranged with nr. 4 cable glands M25/M32 + nr. 2 closed holes ø22,5 mm on the bottom.
- With locking facility in "0 - OFF" (Max 3 locks).
- Dimensions:** 130x180x106 mm.
- Black box - Grey cover - Black knob.

SERIES	AC-21A	AC-23A	CODE
	AMP. 690V	AMP. 400V	3 POLES 6 POLES
SQ025	32	25	- SQ025006BE09
SQ032	40	32	- SQ032006BE09
SQ040	63	50	SQ040003BE09 -
SQ063	80	75	SQ063003BE09 -



SQ025006BE09
SQ032006BE09



SQ040003BE09
SQ063003BE09

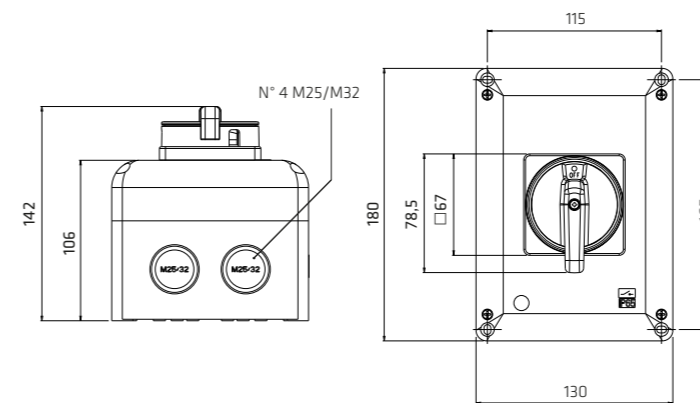
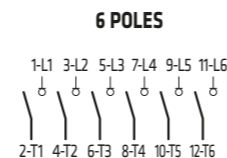
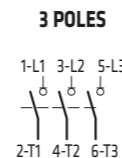
E10

IP65

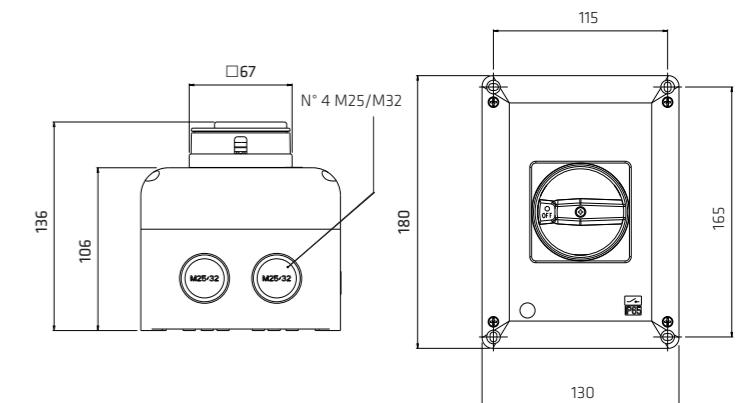


- Opening in "0" position.
- Arranged with nr. 4 cable glands M25/M32 + nr. 2 closed holes ø22,5 mm on the bottom.
- With locking facility in "0 - OFF" (Max 3 locks).
- Dimensions:** 130x180x106 mm.
- Black box - Yellow cover - Red knob.

SERIES	AC-21A	AC-23A	CODE
	AMP. 690V	AMP. 400V	3 POLES 6 POLES
SQ025	32	25	- SQ025006BE10
SQ032	40	32	- SQ032006BE10
SQ040	63	50	SQ040003BE10 -
SQ063	80	75	SQ063003BE10 -



SQ025006BE10
SQ032006BE10



SQ040003BE10
SQ063003BE10



COMPLETE DEVICES IN THERMOPLASTIC ENCLOSURES

SQ Series | THERMOPLASTIC | Heat resistant material

C41

IP65 □

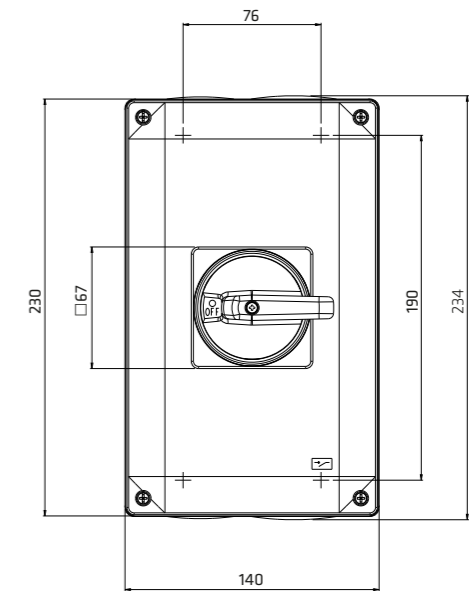
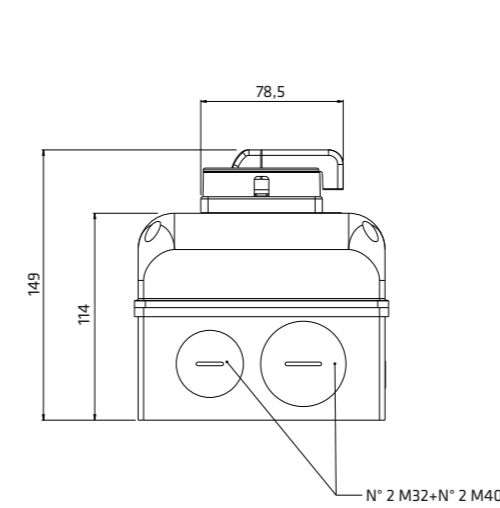
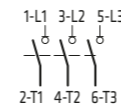


- Opening in "0" position.
- Complete with nr. 2 M32 and nr. 2 M40 cable gland plugs.
- With locking facility in "0 - OFF" (Max 3 locks).
- **Dimensions:** 140x230x114 mm
- Black box - Yellow cover - Red knob.
- UL Approval.

SERIES	AC-21A	AC-23A	CODE
	AMP. 690V	AMP. 400V	3 POLES
SQ063	80	75	SQ063003BC41



3 POLES



C42

IP65 □

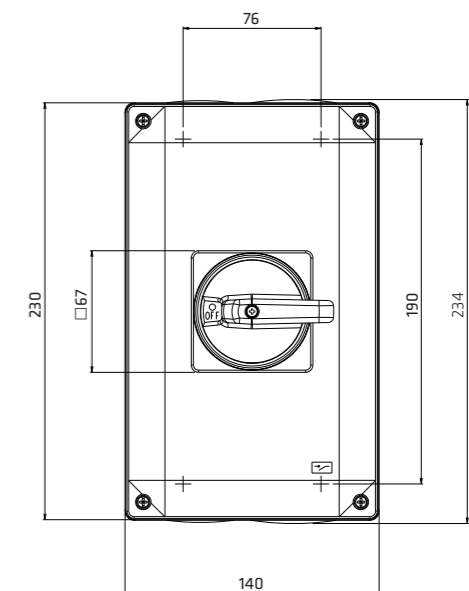
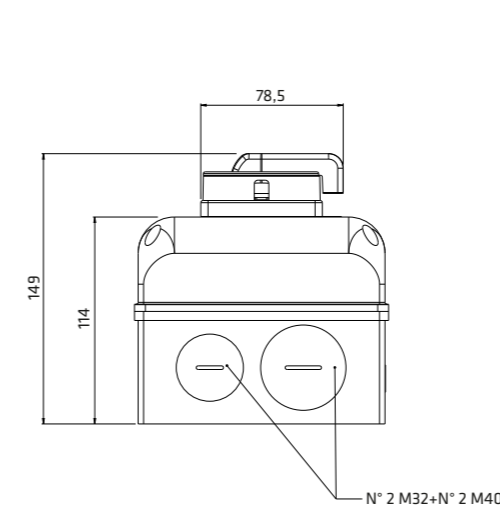
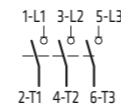


- Opening in "0" position.
- Complete with nr. 2 M32 and nr. 2 M40 cable gland plugs.
- With locking facility in "0 - OFF" (Max 3 locks).
- **Dimensions:** 140x230x114 mm.
- Black box - Grey cover - Black knob.
- UL Approval.

SERIES	AC-21A	AC-23A	CODE
	AMP. 690V	AMP. 400V	3 POLES
SQ063	80	75	SQ063003BC42



3 POLES



A09

IP65 □

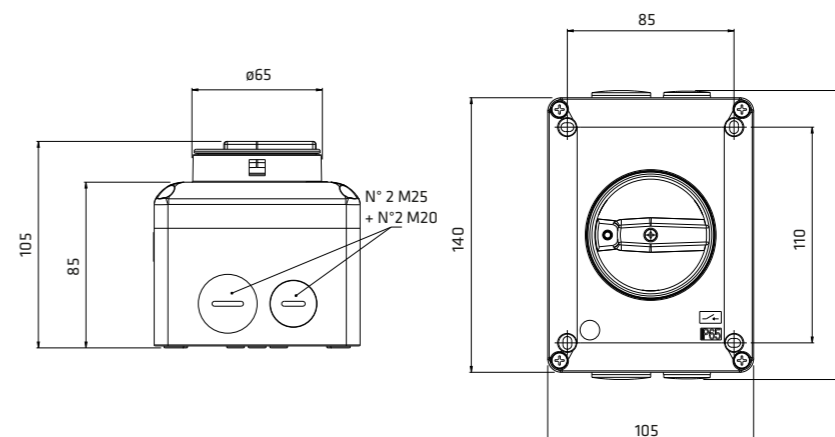
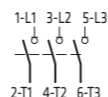


- Opening in "0" position.
- Complete with nr. 2 M20 + nr. 2 M25 cable glands plugs.
- With locking facility in "0 - OFF" (Max 3 locks).
- **Dimensions:** 105x140x85 mm.
- Black box - Grey cover - Black knob.

SERIES	AC-21A	AC-23A	CODE
	AMP. 690V	AMP. 400V	3 POLES
SQ025	32	25	SQ025003DA09
SQ032	40	32	SQ032003DA09



3 POLES



A10

IP65 □

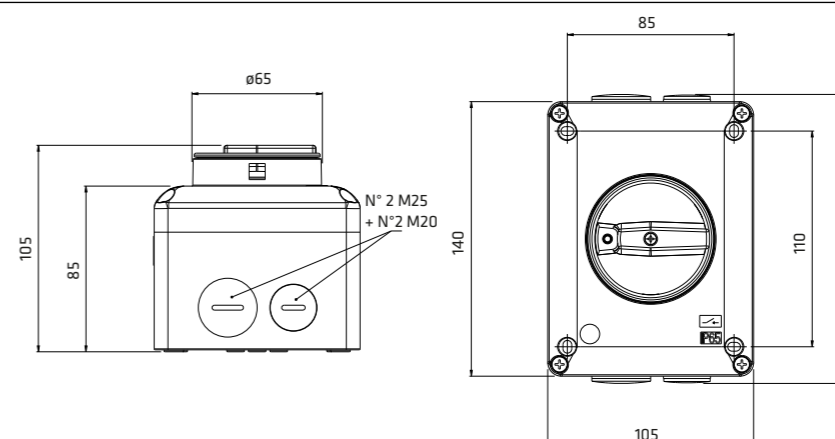
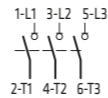


- Opening in "0" position.
- Complete with nr. 2 M20 + nr. 2 M25 cable glands plugs.
- With locking facility in "0 - OFF" (Max 3 locks).
- **Dimensions:** 105x140x85 mm.
- Black box - Yellow cover - Red knob.

SERIES	AC-21A	AC-23A	CODE
	AMP. 690V	AMP. 400V	3 POLES
SQ025	32	25	SQ025003DA10
SQ032	40	32	SQ032003DA10



3 POLES



AB9

IP65 □

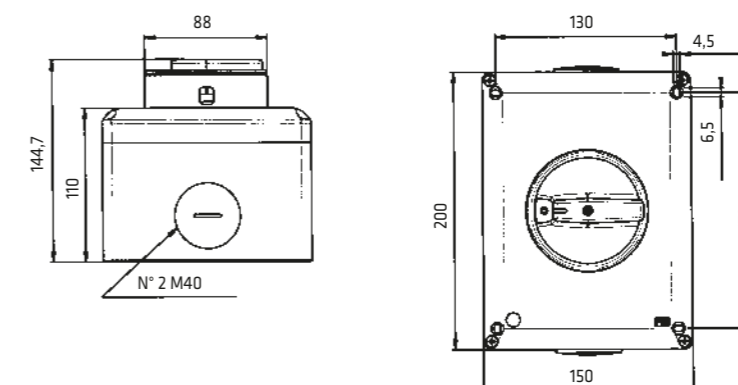
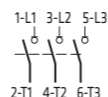


- Opening in "0" position.
- Complete with nr. 2 M40 cable glands plugs.
- With locking facility in "0 - OFF" (Max 3 locks).
- **Dimensions:** 150x200x110 mm.
- Black box - Grey cover - Black knob.

SERIES	AC-21A	AC-23A	CODE
	AMP. 690V	AMP. 400V	3 POLES
SQ040	63	50	SQ040003BAB9
SQ063	80	75	SQ063003BAB9



3 POLES



AB0

IP65 □

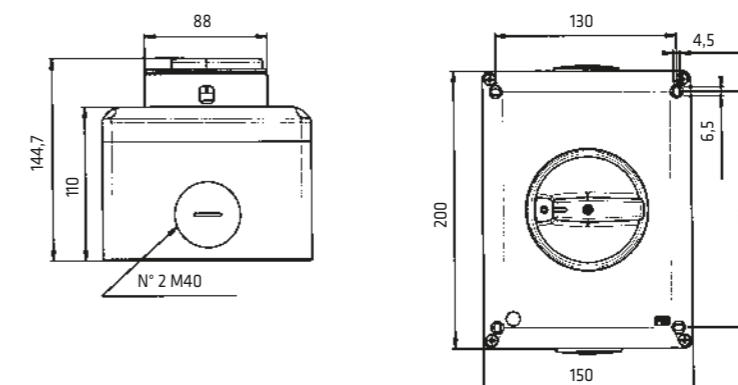
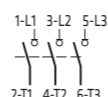


- Opening in "0" position.
- Complete with nr. 2 M40 cable glands plugs.
- With locking facility in "0 - OFF" (Max 3 locks).
- **Dimensions:** 150x200x110 mm.
- Black box - Yellow cover - Red knob.

SERIES	AC-21A	AC-23A	CODE
	AMP. 690V	AMP. 400V	3 POLES
SQ040	63	50	SQ040003BAB0
SQ063	80	75	SQ063003BAB0



3 POLES



ENCLOSURES | SQ Series

ENCLOSURES | SQ Series

THERMOPLASTIC ENCLOSURES

BF3/FNGO

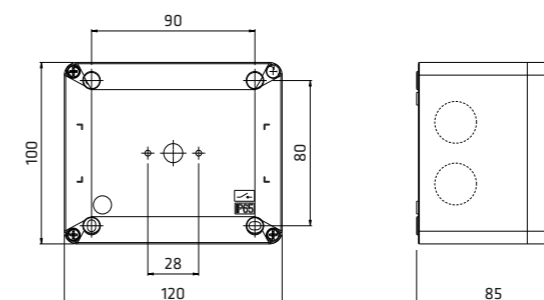
THERMOPLASTIC BOX

IP65 □

- Bodies - Panel Mounting Type R.
- Arranged for nr. 8 Pg 16 - M20 cable glands.
- **Dimensions:** 120x100x85 mm.
- Black box - Grey cover.



SERIES	EXECUTION	CODE
N° POLES MAX		
SQ025 SQ032	4	BF3/FNGO



BF4/DNGO

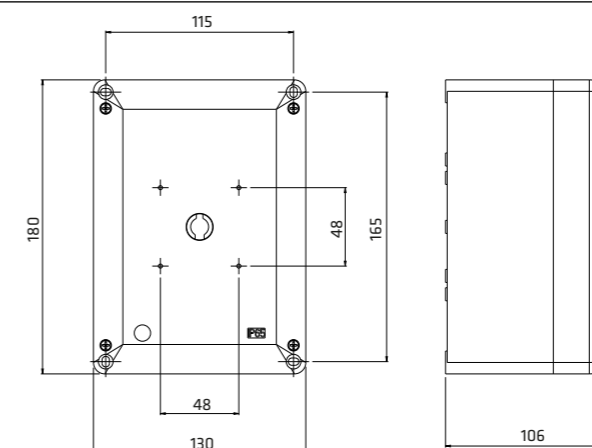
THERMOPLASTIC BOX

IP65 □

- Bodies - Base Mounting Type B.
- Arranged for nr. 4 M25/M32 cable glands.
- **Dimensions:** 130x180x106 mm.
- Black box - Grey cover.



SERIES	EXECUTION	CODE
N° POLES MAX		
SQ025 SQ032	6	BF4/DNGO
SQ040 SQ063	4	



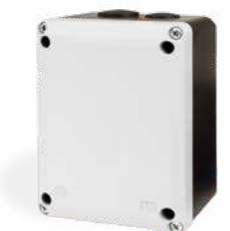
METAL ENCLOSURES

BNA/ONGA

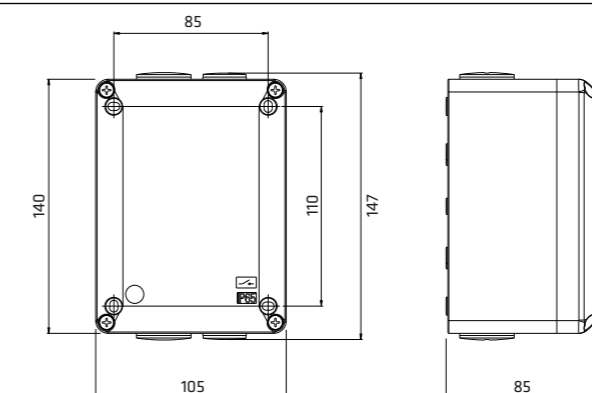
METAL BOX
COVER WITHOUT HOLES

IP65 □

- Bodies - Panel Mounting Type R and Base Mounting Type B.
- Complete with nr. 2 M20 and nr. 2 M25 cable glands plugs.
- **Dimensions:** 105x140x85 mm.
- Black box - Grey cover.



SERIES	EXECUTION	CODE
N° POLES MAX		
SQ025 SQ032	4	BNA/ONGA
SQ040 SQ063	3	

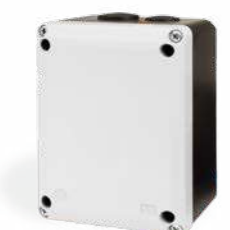


BNA/ENGA

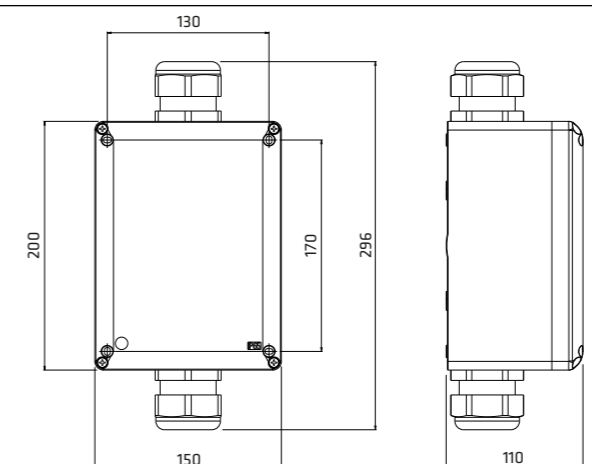
METAL BOX
COVER WITHOUT HOLES

IP65 □

- Bodies - Panel Mounting Type R and Base Mounting Type B.
- Complete with nr. 2 M40 cable glands.
- **Dimensions:** 150x200x110 mm.
- Black box - Grey cover.



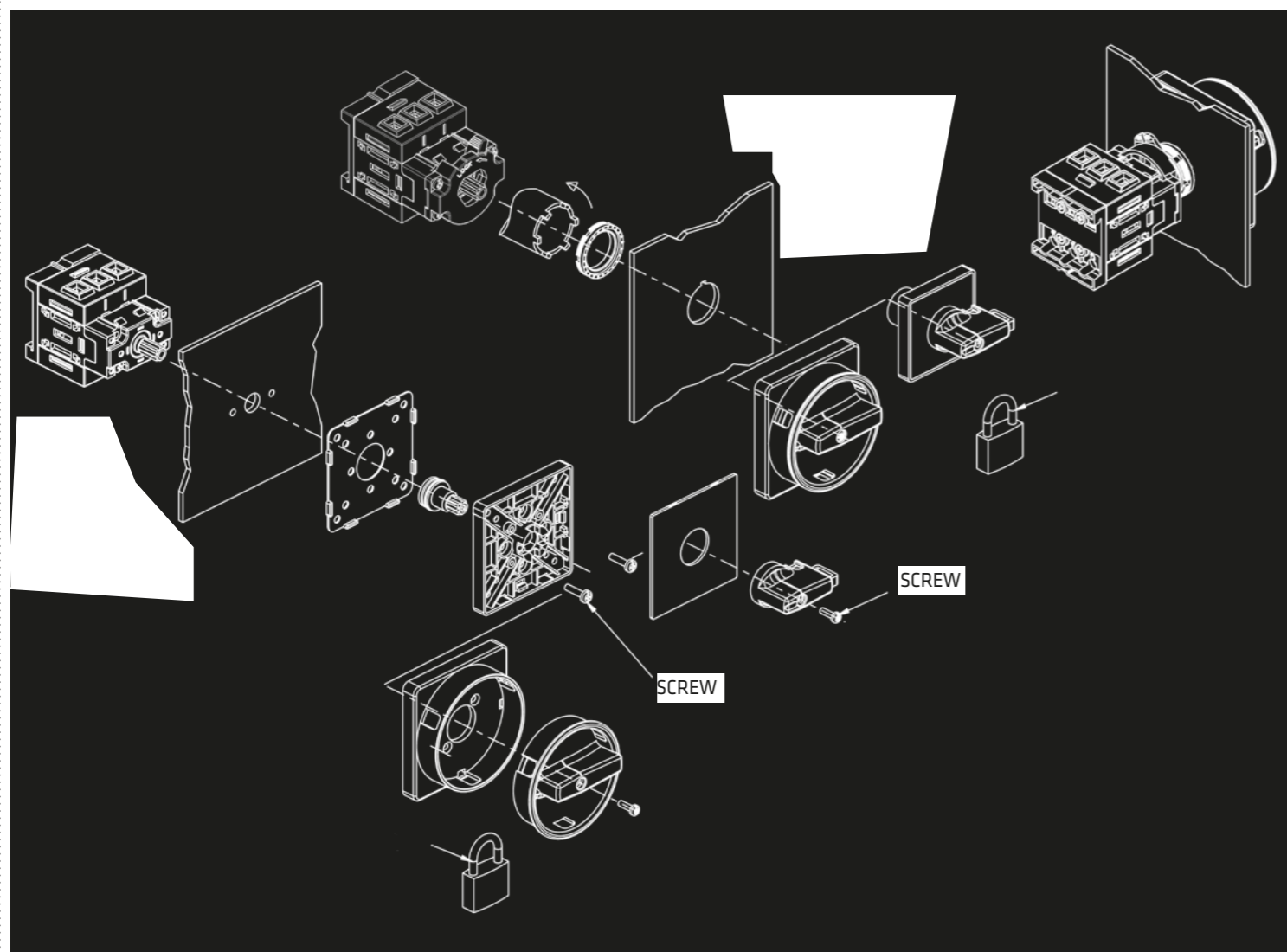
SERIES	EXECUTION	CODE
N° POLES MAX		
SQ040 SQ063	4	BNA/ENGA



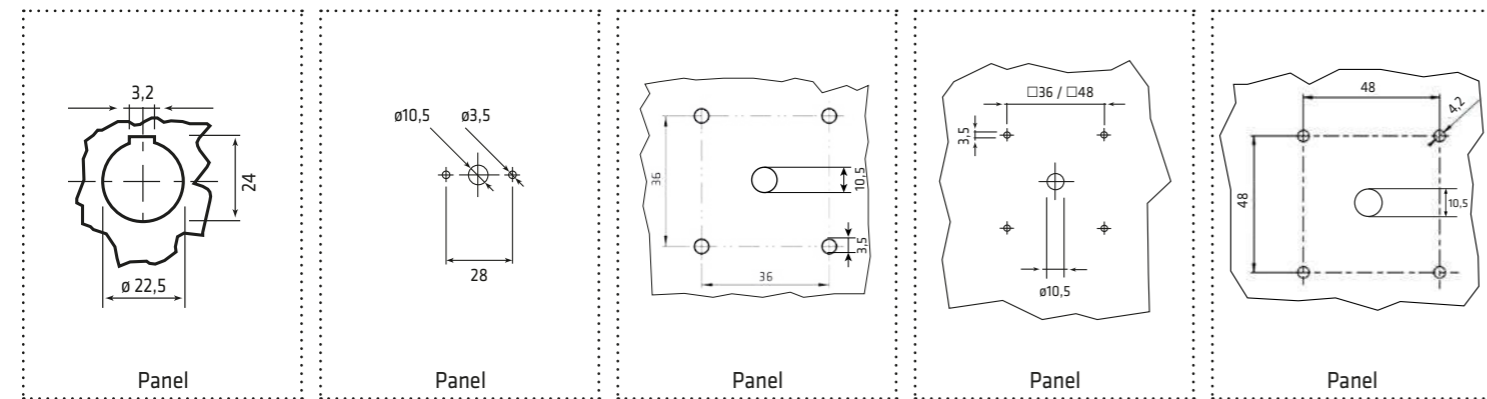
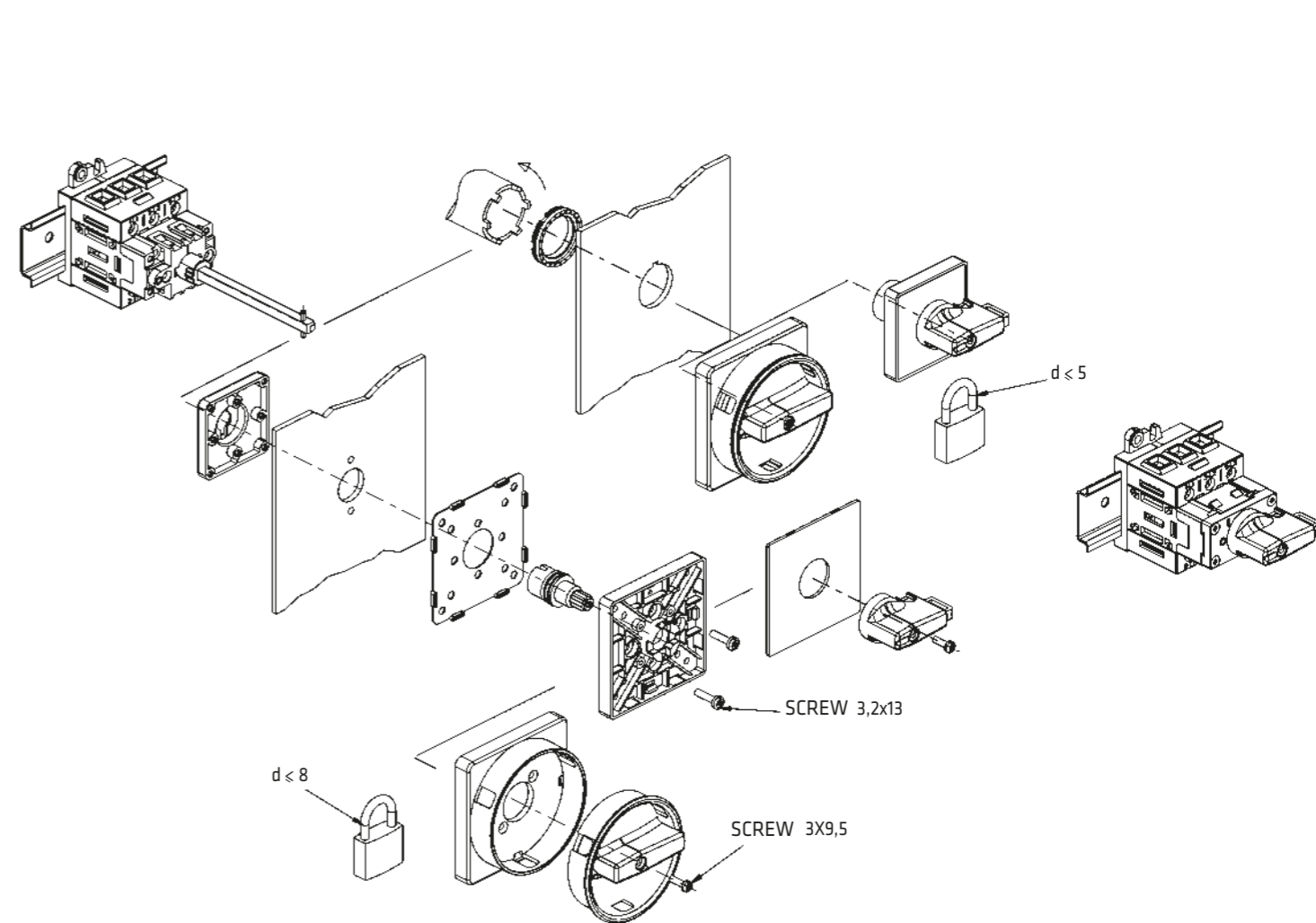
MOUNTING INSTRUCTIONS

SG Series

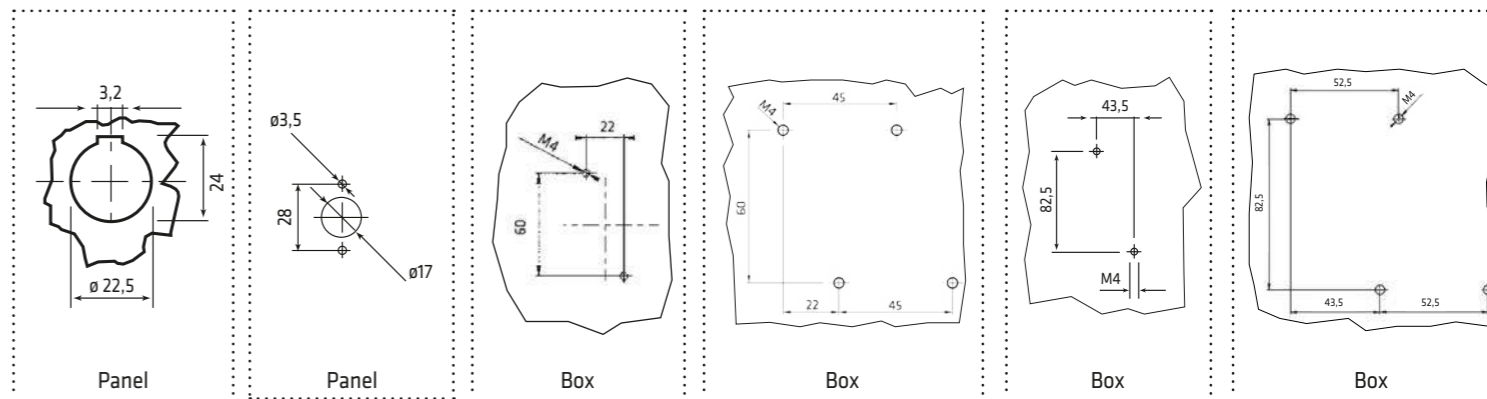
PANEL MOUNTING



BASE MOUNTING



Panel $\varnothing 22,5$ mm Hole central fixing
 Panel Screw fixing SQ025-SQ032 Series 2-3 poles
 Panel Screw fixing SQ025-SQ032 Series 6 poles
 Panel Screw fixing SQ040-SQ063 Series 2-3 poles
 Panel Screw fixing SQ040-SQ063 Series 6 poles



Panel $\varnothing 22,5$ mm Hole central fixing
 Panel Screw fixing SQ025-SQ032 Series 2-3 poles
 Box Screw fixing SQ025-SQ032 Series 2-3 poles
 Box Screw fixing SQ025-SQ032 Series 6 poles
 Box Screw fixing SQ040-SQ063 Series 2-3 poles
 Box Screw fixing SQ040-SQ063 Series 6 poles



GIOVENZANA
INTERNATIONAL B.V.



GIOVENZANA
INTERNATIONAL B.V.



REGOLUS SWITCH DISCONNECTORS
SQN Series



REGOLUS SWITCH DISCONNECTORS

SGN Series

EXECUTION OVERVIEW AND GENERAL CHARACTERISTICS

TECHNICAL CHARACTERISTICS

REGOLUS SWITCH DISCONNECTORS

The disconnectors Regolus Series, built to the most stringent European and international standards (IEC / EN 60947-3, UL508), meet all the safety requirements.



SGN SERIES

The disconnectors modular SGN Series from 125A to 160A, 3 poles have the possibility to install additional poles, auxiliary contacts and terminal IP20 protections.

GENERAL CHARACTERISTICS

- ⊕ Rated current from 125A to 160A
- ⊕ 3 Poles (AC/DC)
- ⊕ Additional pole (4th pole) and auxiliary contact
- ⊕ Mechanism with two stable positions ON-OFF
- ⊕ Locking handle (OFF position)
- ⊕ Independent manual operation (according to EN 60947-3)
- ⊕ Nr. 6 air-openings available to optimize heat dissipation
- ⊕ Optimized for DIN rail (box) and panel mounting

AVAILABLE VERSIONS

- ⊕ Switch disconnectors 6 poles and changeover
- ⊕ Panel mounting Screw Fixing
- ⊕ Base Mounting
- ⊕ Door locking
- ⊕ Direct command

COMPLY WITH RULES

IEC/EN 60947-3, UL508.

SERIES		SGN125 - SGN160	
Material Group	EN 60947-1	II	
Pollution Grade	EN 60947-1	3	
Flammability	UL94	VO (Live Electric parts)	
Ambient Temperature	°C	Operating: -25 +55	
	°C	Storage: -30 +70	
Climate Withstand	IEC 68 part 2-3	Constant Hot Damp	
	IEC 68 part 2-30	Cyclical Hot Damp	
Connections	Terminal Block Caliber	EN60947-1	
	Terminal Screw	M 8	
	Screwing Torque	EN60947-1	
	UL508	53 lb. in. (6 Nm)	
Connectable Section	Flexible Conductors n°1 min/max	mm ²	6 - 25
		AWG	10 - 2
	Solid Conductors n°1 min/max	mm ²	10 - 35
		AWG	10 - 2
Contacts		Slow Opening Double-Break	
Opening Angles		90°	
Mechanical Lifetime			
at 120 operations per hour	nr. of cycles	100.000	
Maximum Altitude	Until 2000 mt	Derating	Standard
	Over 2000 mt	Voltage Derating (V)	< 1% each 100 mt
		Power Derating (A)	< 1% each 1000 mt

CERTIFICATIONS		SGN125	SGN160
CE	CE mark - Europa	■	■
cUL	cUL Listed - USA and Canada	●	●

EN 60947-3 CHARACTERISTICS		SGN125	SGN160
Rated operating voltage Ue	V	690	690
Rated insulation voltage Ui	V	800	800
Rated impulse withstand voltage Uimp (sectionable)	kV	8	8
Rated thermal current Ith	A	125	160
Rated thermal current in enclosed Ithe	A	125	160
Frequency	Hz	50/60	50/60

RATED OPERATING CURRENT Ie: alternate current			SGN125	SGN160
AC-21A	Switching resistive loads with light overloads	690V A	125	160
AC-22A	Switching mixed resistive and inductive loads at light overloads	500V A	125	160
		690V A	125	160
AC-23A	Periodic switching of motors 3 phases - 3 poles	230V A	-	-
		400V A	125	160
		500V A	100	125
		690V A	80	100
DC-21B	(4P Series positive opening)	600V A	10	10

SHORT CIRCUIT CHARACTERISTICS			SGN125	SGN160
Rated short-time short circuit withstand current Icw (1 s)	A		3000	3000
Rated short circuit making capacity Icm	A		4500	4500
Conditional rated short circuit withstand current	kA		10 10	10 10
Fuse rating gG	500V A		-	-
	690V A		125	125

UL 508 CHARACTERISTICS			SGN125	SGN160
General Use	600V AC	A	125	150
Standard motor load	240V AC	HP	25	25
3 phases - 3 poles	480V AC	HP	50	50
	600V AC	HP	60	60

Box Execution



Panel Mounting Execution



BODIES | SWITCH D. 6 POLES & CHANGEOVERS 3 POLES

SGN Series

PANEL MOUNTING

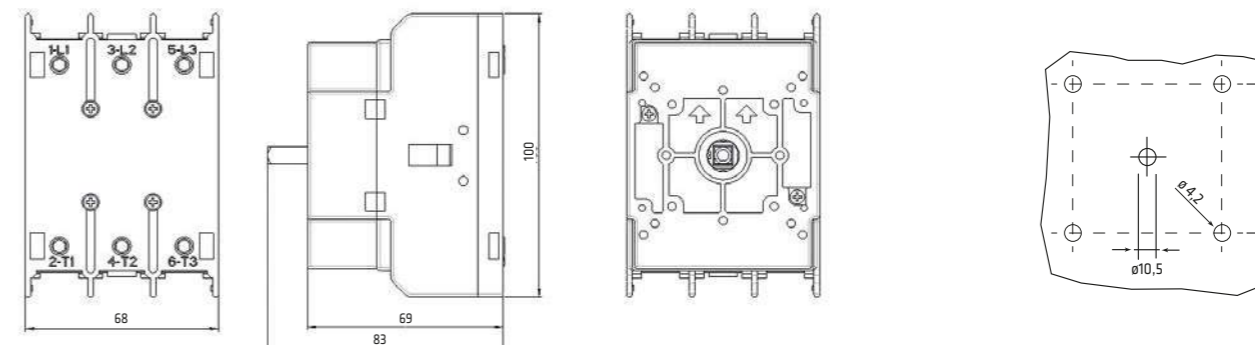
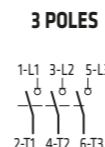
Dimensions and details of fixing holes

TYPE R



- Screw fixing.
- See page 51 for combinable actuators.

SERIES	AC-21A	AC-23A	CODE
	AMP. 690V	AMP. 400V	3 POLES
SQN125	125	125	SQN125003R
SQN160	160	160	SQN160003R



BASE MOUNTING

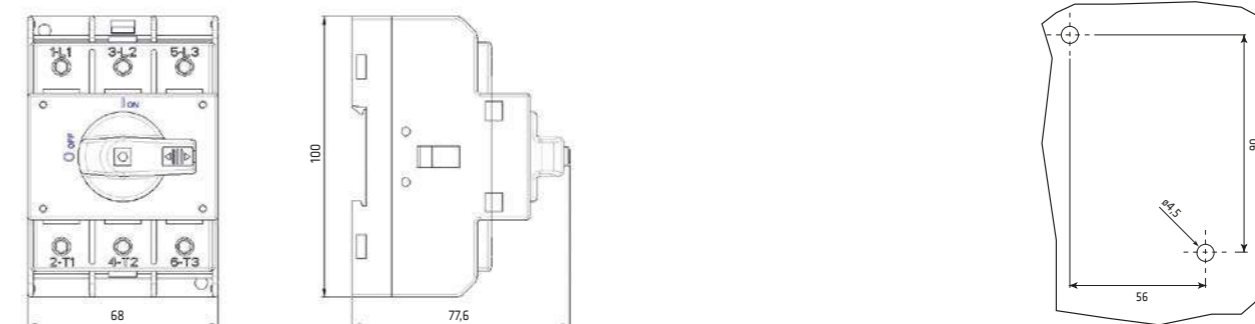
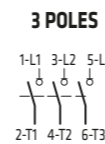
Dimensions and details of fixing holes

TYPE B



- Direct command and Door Locking
- Fixing box DIN RAIL DIN-EN 50022-35.
- Black knob locking (1 lock) in "0-OFF" position.
- See page 51 for combinable actuators.

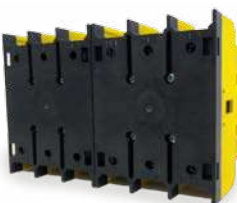
SERIES	AC-21A	AC-23A	CODE
	AMP. 690V	AMP. 400V	3 POLES
SQN125	125	125	SQN125003B
SQN160	160	160	SQN160003B



SWITCH D. 6 POLES & CHANGEOVERS 3 POLES

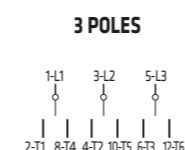
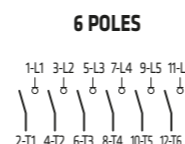
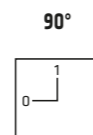
Dimensions and details of fixing holes

TYPE R



- Screw fixing.
- See page 51 for combinable actuators.

SERIES	AC-21A	AC-23A	PANEL MOUNTING CODE	
	AMP. 690V	AMP. 400V	6 POLES	CHANGEOVER 3 POLES
SQN125	125	125	SQN125006R	SQN125033R
SQN160	160	160	SQN160006R	SQN160033R

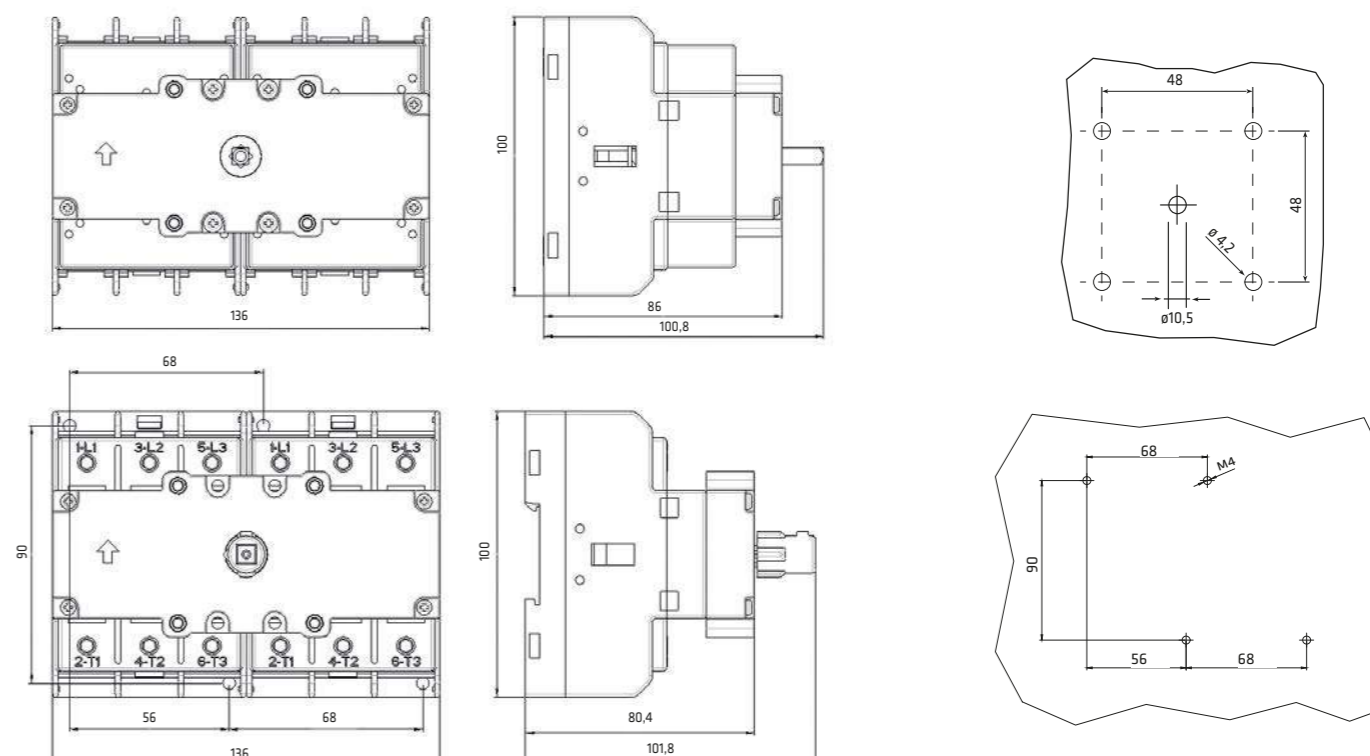


TYPE B



- Fixing box DIN RAIL DIN-EN 50022-35.
- Suitable for Door Locking actuators with shaft fixed on switch disconnectors body.
- See page 51 for combinable actuators.

SERIES	AC-21A	AC-23A	BASE MOUNTING CODE	
	AMP. 690V	AMP. 400V	6 POLI	CHANGEOVER 3 POLES
SQN125	125	125	SQN125006B	SQN125033B
SQN160	160	160	SQN160006B	SQN160033B





ADDITIONAL POLES

PANEL MOUNTING				BASE MOUNTING			
SERIES	DESCRIPTION	CODE	DIAGRAM	SERIES	DESCRIPTION	CODE	DIAGRAM
SQL125 SQL160	Additional Pole NO	SQL125AFPR SQL160AFPR	7 — 8	SQL125 SQL160	Additional Pole NO	SQL125AFPB SQL160AFPB	7 — 8
	4 th Pole (early make contact)	SQL125ANIR SQL160ANIR	N — N		4 th Pole (early make contact)	SQL125ANIB SQL160ANIB	N — N
	Neutral Terminal	SQL125ANPR SQL160ANPR	N — N		Neutral Terminal	SQL125ANPB SQL160ANPB	N — N
	Ground Terminal	SQL125APER SQL160APER	PE — PE		Ground Terminal	SQL125APEB SQL160APEB	PE — PE

AUXILIARY CONTACTS

PANEL MOUNTING				BASE MOUNTING			
SERIES	DESCRIPTION	CODE	DIAGRAM	SERIES	DESCRIPTION	CODE	DIAGRAM
SQL125 SQL160	AUX 1NC	SQ010AS5R	1 — 2 (1NC)	SQL125 SQL160	AUX 1NC	SQ010AS5B	1 — 2 (1NC)
	AUX 1NO	SQ010AS6R	3 — 4 (1NO)		AUX 1NO	SQ010AS6B	3 — 4 (1NO)

TERMINAL PROTECTION AND SHAFT EXTENSION

PANEL & BASE MOUNTING		BASE MOUNTING	
3 POLES	1 POLE	SHAFT EXTENSION □ 6 FOR DOOR INTERLOCK	
20900064	20900065	L 185 mm	20900010
		L 300 mm	20900011

SQL125 - SQL160 SERIES | EN 60529 - IP65 - UL50 Type 1 - 4 - 4x -12 (◆) Protection NEMA 4x.

ACTUATORS					
		SERIE	FRONT PLATE SIZE	PANEL MOUNTING TYPE R CODE	DOOR LOCKING TYPE B CODE >
		SQL125 - SQL160	ø78	309/0001	311/0001
				309/0008	311/0008
<ul style="list-style-type: none"> Grey Plate Black knob Locking Facility (Max 3 locks) 					
		SERIE	FRONT PLATE SIZE	PANEL MOUNTING TYPE R CODE	DOOR LOCKING TYPE B CODE >
		SQL125 - SQL160	ø78	310/0001	312/0001
				310/0008	312/0008
<ul style="list-style-type: none"> Yellow Plate Red knob Locking Facility (Max 3 locks) 					
		SERIES	FRONT PLATE SIZE	PANEL MOUNTING TYPE R CODE	DOOR LOCKING TYPE B CODE >
		SQL125 - SQL160	□67	319/0001 ◆	321/0001
				319/0008 ◆	321/0008
<ul style="list-style-type: none"> Grey Plate Black knob Locking Facility (Max 3 locks) 					
		SERIES	FRONT PLATE SIZE	PANEL MOUNTING TYPE R CODE	DOOR LOCKING TYPE B CODE >
		SQL125 - SQL160	□67	320/0001 ◆	322/0001
				320/0008 ◆	322/0008
<ul style="list-style-type: none"> Yellow Plate Red knob Locking Facility (Max 3 locks) 					

► The actuator for DOOR LOCKING TYPE B includes the shaft □ 6 L85.



TF8

IP65 □

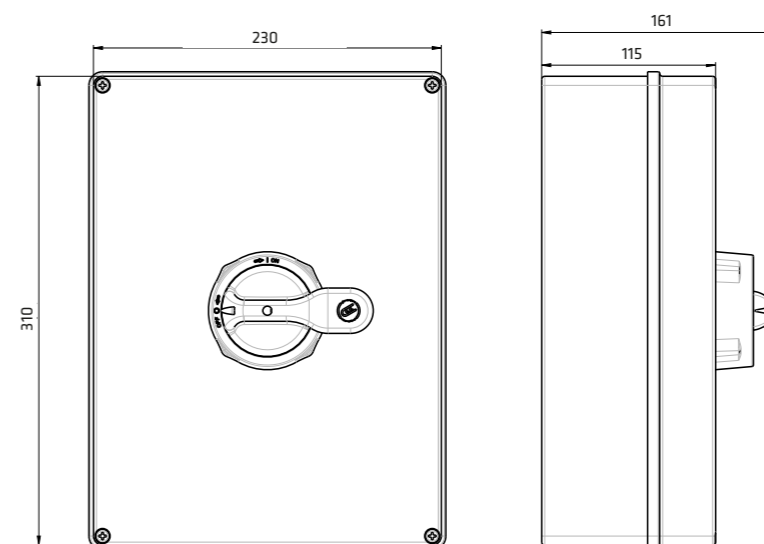
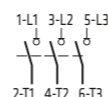
- Opening in "0" position.
- Red knob locking (Max 3 locks) in "0-OFF" position.
- Dimensions: 310x230x115mm.
- Grey box & cover. Red/yellow actuator.



SERIES	AC-21A	AC-23A	CODE
	AMP. 690V	AMP. 400V	3 POLES
SQN125	125	125	SQN125003BTF8
SQN160	160	160	SQN160003BTF8



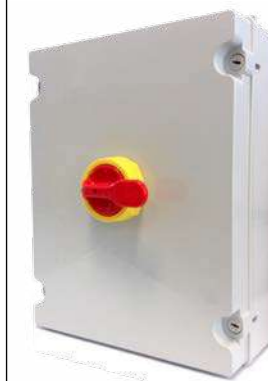
3 POLES



TF4

IP65 □

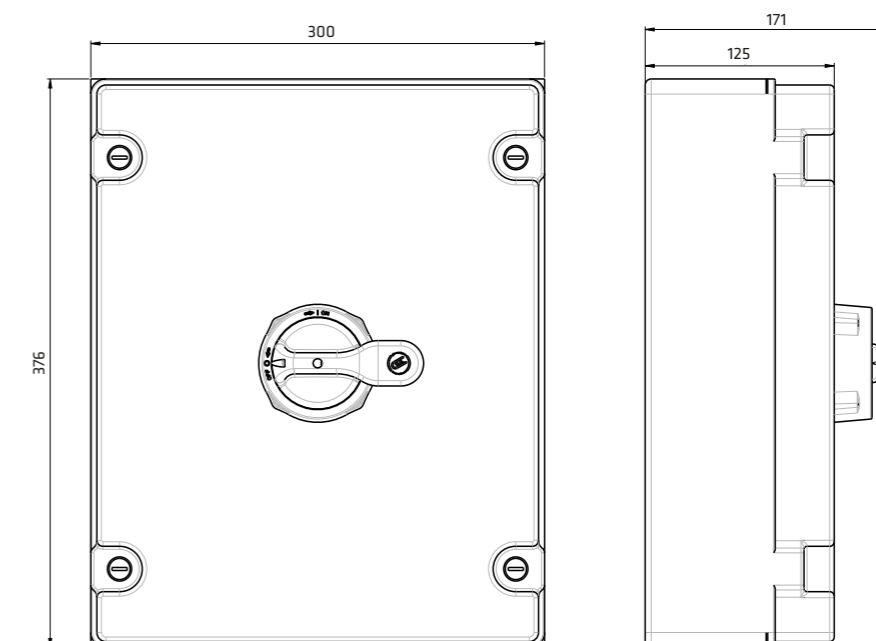
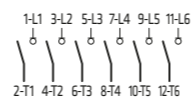
- Opening in "0" position.
- Red knob locking (Max 3 locks) in "0-OFF" position.
- Dimensions: 376x300x125mm.
- Grey box & cover. Red/yellow actuator.



SERIES	AC-21A	AC-23A	CODE
	AMP. 690V	AMP. 400V	6 POLES
SQN125	125	125	SQN125006BTF4
SQN160	160	160	SQN160006BTF4



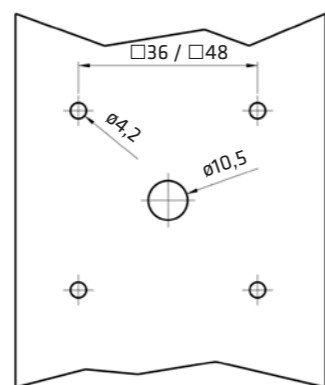
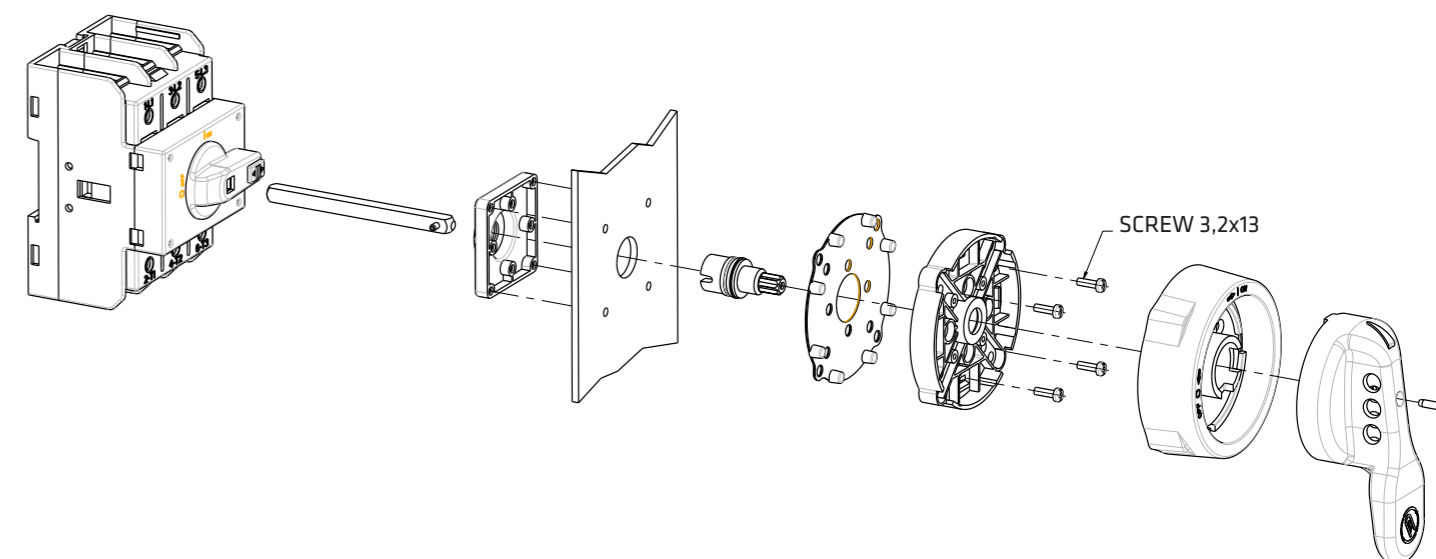
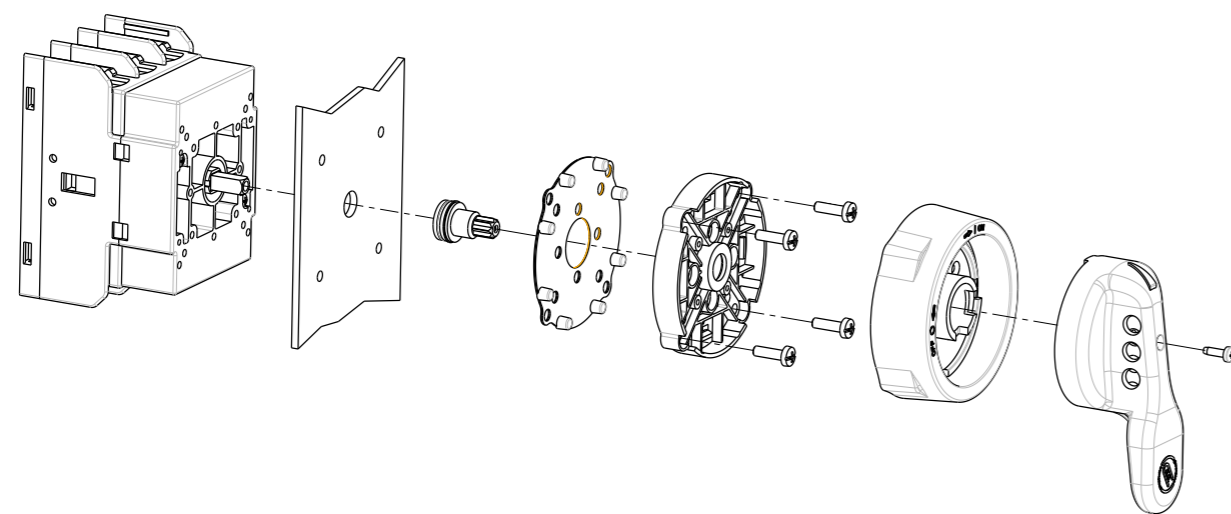
6 POLES



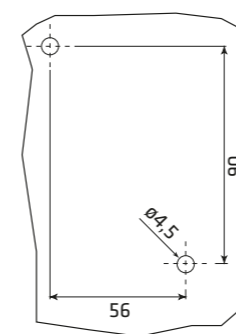
► AVAILABLE ON REQUEST ALSO METAL AND STAINLESS STEEL ENCLOSURES.

PANEL MOUNTING

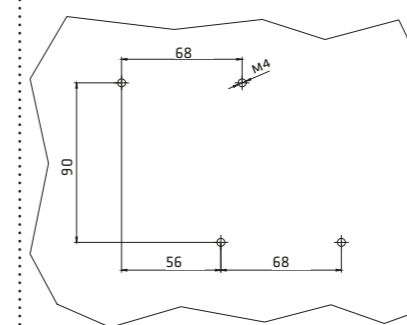
BASE MOUNTING



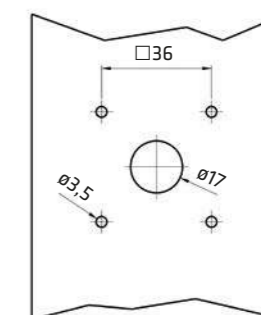
Panel
Screw fixing
3-6 poles



Base
Screw fixing
3 poles



Base
Screw fixing
6 poles



Panel
Screw fixing
3-6 poles



GIOVENZANA
INTERNATIONAL B.V.



GIOVENZANA
INTERNATIONAL B.V.



REGOLUS SWITCH DISCONNECTORS
SE Series

REGOLUS SWITCH DISCONNECTORS

SE Series

EXECUTION OVERVIEW AND GENERAL CHARACTERISTICS

TECHNICAL CHARACTERISTICS

REGOLUS SWITCH DISCONNECTORS

The disconnectors Regolus Series, built to the most stringent European and international standards (IEC / EN 60947-3, UL508), meet all the safety requirements.

The long industrial experience combined with the use of the best materials, plant and most modern design tools, enables us to produce a range of high quality equipment placing Giovencana as synonymous of reliability, operational reliability and durability of its products.

SE SERIES

The disconnectors modular SE Series from 2 to 4 poles, from 32A to 100A allows to install IP20 terminal protections and auxiliary contacts (SE16-SE32 only).

AVAILABLE VERSIONS

- ☉ Panel mounting Screw Fixing
- ☉ Panel mounting Ø22,5mm Central Hole Fixing (SE16-SE32 only)
- ☉ Base Mounting
- ☉ Door locking

COMPLY WITH RULES

- ☉ IEC/EN 60947-3, UL508.
- ☉ IEC/EN 60947-5-1, UL508 (auxiliary contacts).



SERIES		SE16 - SE32	SE63 - SE80 SE100	AUXILIARY CONTACTS			
Protection class	control terminals EN 60529 (UL50 ♦) NEMA 4X	IP65 (Type 1 - 4 - 4X)	IP65 (Type 1 - 4 - 4X)	-			
Material Group	EN 60947-1	II	II	II			
Pollution class	EN 60947-1	3	3	3			
Flammability	UL94	VO (Live Electric parts)	VO (Live Electric parts)	VO (Live Electric parts)			
Ambient Temperature	°C	Operating: -25 +55	Operating: -25 +55	Operating: -25 +55			
	°C	Storage: -30 +70	Storage: -30 +70	Storage: -30 +70			
Climate Withstand	IEC 68 part 2-3	Constant Hot Damp	Constant Hot Damp	Constant Hot Damp			
	IEC 68 part 2-30	Cyclical Hot Damp	Cyclical Hot Damp	Cyclical Hot Damp			
Connections	Terminal Block Caliber EN60947-1	A6	A8	A2			
	Terminal Screw	M4	M5	M3,5			
	Screwing Torque EN60947-1	1,2 Nm	3 Nm	0,8 Nm			
	UL508	7 lb. in. (0,8 Nm)	32,0 lb. in. (3,6 Nm)	12 lb. in.			
Connectable Section	Flexible Conductors n°1 min/max	mm ² 1,5 - 10	mm ² 6 - 25	mm ² 1 - 2,5			
		AWG 16 - 8	AWG 10 - 2	AWG 18 - 12			
	Solid Conductors n°1 min/max	mm ² 1,5 - 10	mm ² 10 - 35	mm ² 1 - 2,5			
		AWG 16 - 8	AWG 10 - 2	AWG 18 - 12			
Contacts		Slow opening Double-Break	Slow opening Double-Break	Slow opening Double-Break Positive opening for NC ☉			
Opening Angles		90°	90°	-			
Mechanical Lifetime	nr. of cycles	100.000	100.000	1.500.000			
Maximum Altitude	Until 2000 mt	Standard	Standard	-			
	Over 2000 mt Derating	< 1% ogni 100 m	< 1% ogni 100 m	-			
	Voltage Derating (V)	< 1% ogni 1000 m	< 1% ogni 1000 m	-			
	Power Derating (A)			-			
CERTIFICATIONS		SE16	SE32	SE63	SE80	SE100	AUXILIARY CONTACTS
CE	CE Mark - Europe	■	■	■	■	■	■
cUL	cUL Listed - USA and Canada	●	●	●	●	●	●
IMQ	Istituto Marchio Qualità (IMQ) - Italy	●	●	●	●	●	●
CCC	CCC China	●	●	●	●	●	●
EAC	EAC Russia	●	●	●	●	●	●

EN 60947-3 CHARACTERISTICS		SE16	SE32	SE63	SE80	SE100	AUXILIARY CONTACTS
Rated operating voltage Ue	V	690*	690*	690	690	690	690
Rated insulation voltage Ui	V	690*	690*	690	690	690	690
Rated impulse withstand voltage Uimp (sectionable)	kV	4*	4*	8	8	8	4
Rated thermal current Ith	A	(30*) 32	40*	63*	86*	100	16
Rated thermal current in enclosed Ithe	A	(30*) 32	40*	63*	86*	86	10
Frequency	Hz	50	50	50	50	50	50/60
RATED OPERATING CURRENT Ie: alternate current		SE16	SE32	SE63	SE80	SE100	AUXILIARY CONTACTS
AC-21A Switching resistive loads with light overloads	690V A	(30*) 32	(32*) 40	63*	80*	100	AC-15 240V - 5A
AC-22A Switching mixed resistive and inductive loads at light overloads	500V A	-	-	-	-	100	DC-13 250V - 0,44A
AC-23A Periodic switching of motors 3 phases - 3 poles	690V A	(20*) 25	32*	63*	80*	86	-
	230V A/kW	25/7,5	32/10	50/15	63/18,5	70/22	-
	400V A/kW	25/15	32/18,5	50/30	60/33	67/37	-
AC3 Starting of cage motors (interruption hile running) 3 phases - 3 poles	500V A/kW	25/15	32/22	50/37	60/40	67/45	-
	690V A/kW	(16*)20/18,5	25*/22	32/30	35/33	38/37	-
	230V A/kW	22/7,5	30/9	40/11	50/15	60/18,5	-
Nominal interruption power AC-23A (cosfi 0,45)	400V A/kW	22/11	30/15	40/22	50/25	55/30	-
	500V A/kW	22/11	30/18,5	40/30	50/33	55/37	-
	690V A/kW	(12*)22/11	(20*)22/18,5	25/22	27/25	32/30	-
Nominal interruption power AC-23A (cosfi 0,45)	230V A	200	256	400	504	560	-
	400V A	200	256	400	480	536	-
	500V A	200	256	400	480	536	-
	690V A	160	200	256	280	304	-
SHORT CIRCUIT CHARACTERISTICS		SE16	SE32	SE63	SE80	SE100	AUXILIARY CONTACTS
Rated short-time short circuit withstand current Icw (1 s)	A	400*	400*	1500	1500	1500	-
Rated short circuit making capacity Icm	A	1500*	1500*	2840	2840	2840	-
Conditional rated short circuit withstand current	kA	10*	10*	10*	10*	10	1
Fuse rating gG	500V A	-	-	-	-	100	10
	690V A	40*	40*	(80*)63	(80*)	-	-
UL 508 CHARACTERISTICS		SE16	SE32	SE63	SE80	SE100	CONTATTI AUSILIARI
General Use	600V AC A	32	40	63	80	100	HD A600 AC Q600 DC
Standard motor load single phase - 2 poles	120V AC HP (FLA)	1,5 (20)	2 (24)	3 (34)	3 (34)	3 (34)	-
	200-208V AC HP	2	3	-	-	-	-
Standard motor load 3 phases - 3 poles	240V AC HP (FLA)	3 (17)	5 (28)	7,5 (40)	7,5 (40)	10 (50)	-
	200-208V AC HP	7,5	10	-	-	-	-
	240V AC HP (FLA)	7,5 (22)	10 (28)	10 (28)	10 (28)	10 (28)	-
	480V AC HP (FLA)	10 (14)	15 (21)	20 (27)	25 (34)	25 (34)	-
600V AC HP (FLA)	15 (17)	20 (22)	25 (27)	30 (32)	30 (32)	-	

BODIES | REGOLUS SWITCH DISCONNECTORS

SE Series | PANEL MOUNTING

PANEL MOUNTING

Dimensions and details of fixing holes

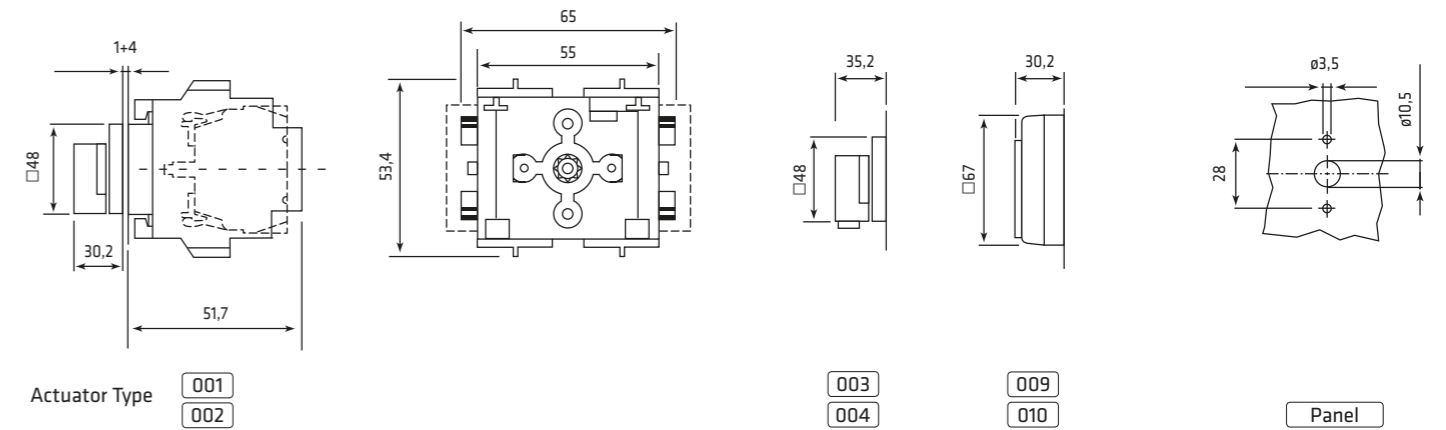
TYPE R



- Screw fixing.
- See page 68 for combinable actuators.

SERIES	AC-21A	AC-23A	CODE		
	AMP. 690V	AMP. 400V	2 POLES	3 POLES	4 POLES
SE16	32	25	SE1610F2R	SE163003R	SE163004R
SE32	40	32	SE3210F2R	SE323003R	SE323004R

2 POLES	3 POLES	4 POLES
 1-L1 N 2-T1 N	 1-L1 3-L2 5-L3 2-T1 4-T2 6-T3	 1-L1 3-L2 5-L3 N 2-T1 4-T2 6-T3 N



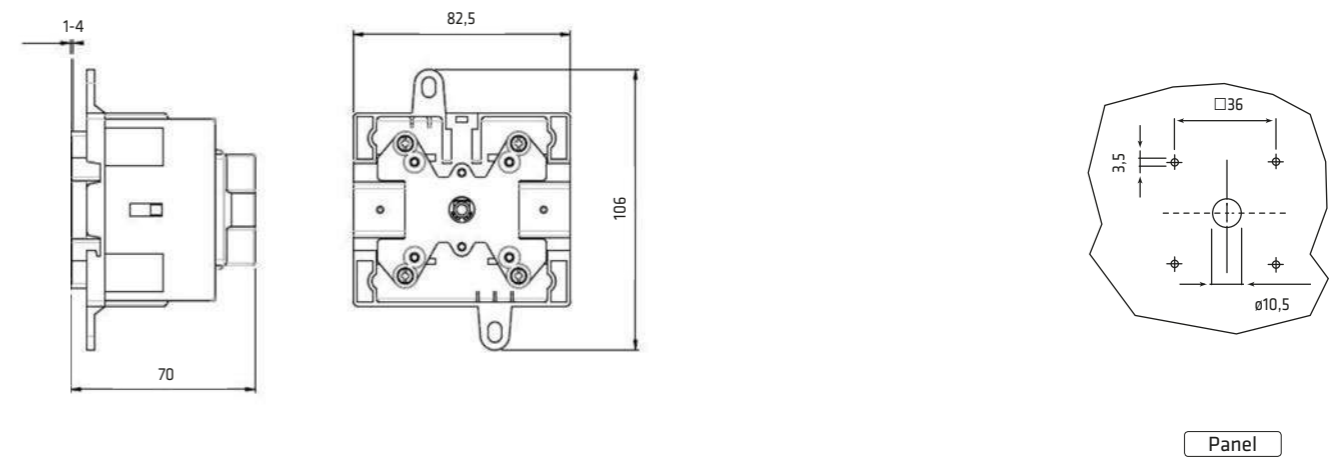
TYPE R



- Screw fixing.
- See page 70 for combinable actuators.

SERIES	AC-21A	AC-23A	CODE		
	AMP. 690V	AMP. 400V	2 POLES	3 POLES	4 POLES
SE63	63	50	SE630002R	SE630003R	SE630004R
SE80	80	60	SE800002R	SE800003R	SE800004R
SE100	100	67	SE1000002R	SE1000003R	SE1000004R

2 POLES	3 POLES	4 POLES
 1-L1 N 2-T1 N	 1-L1 3-L2 5-L3 2-T1 4-T2 6-T3	 1-L1 3-L2 5-L3 N 2-T1 4-T2 6-T3 N



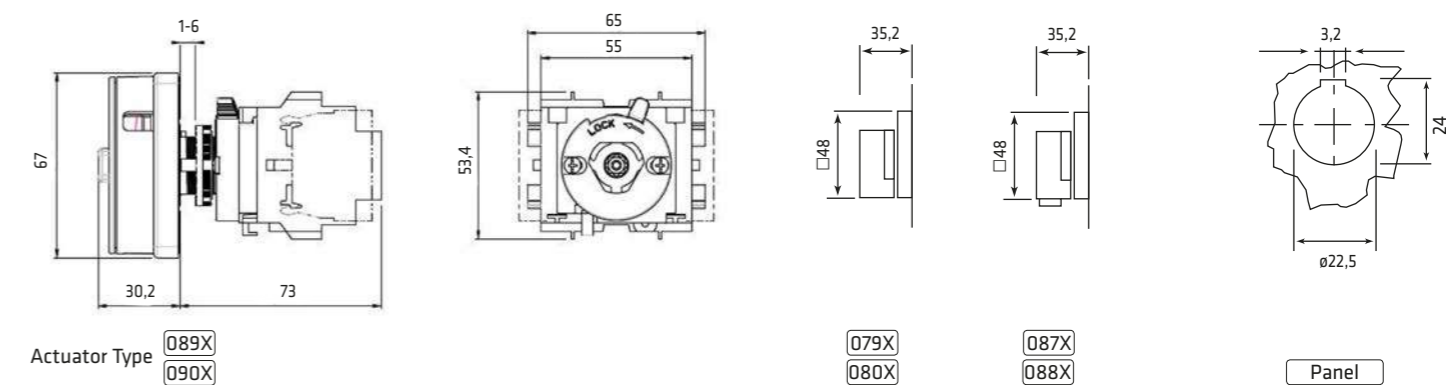
TYPE X



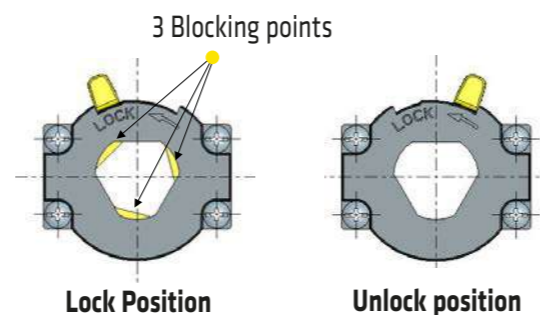
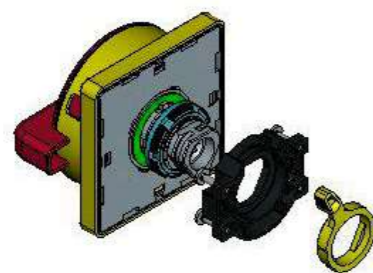
- Central fixing hole $\varnothing 22,5$ mm.
- See page 72 for combinable actuators.

SERIES	AC-21A	AC-23A	CODE		
	AMP. 690V	AMP. 400V	2 POLES	3 POLES	4 POLES
SE16	32	25	SE1610F2X	SE163003X	SE163004X
SE32	40	32	SE3210F2X	SE323003X	SE323004X

2 POLES	3 POLES	4 POLES
 1-L1 N 2-T1 N	 1-L1 3-L2 5-L3 2-T1 4-T2 6-T3	 1-L1 3-L2 5-L3 N 2-T1 4-T2 6-T3 N



New Support D.22
for Regolus
switch disconnectors



BASE MOUNTING

Dimensions and details of fixing holes

TYPE B

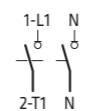


- Fixing box DIN RAIL DIN-EN 50022-35.
- Suitable for Door locking actuators.
- See page 69 and 73 for combinable actuators.

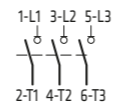
SERIES	AC-21A	AC-23A	CODE		
	AMP. 690V	AMP. 400V	2 POLES	3 POLES	4 POLES
SE16	32	25	SE1610F2B	SE163003B	SE163004B
SE32	40	32	SE3210F2B	SE323003B	SE323004B



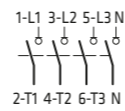
2 POLES



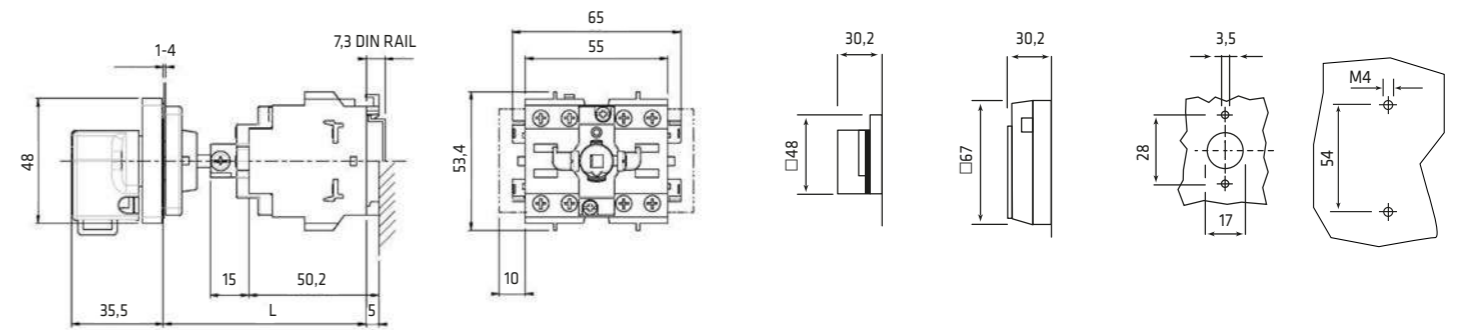
3 POLES



4 POLES



	STANDARD SHAFT	EXTENSION SHAFT □5 CODE 20401089
L min	80	80 (with cut shaft)
L max	120	220


 Actuator Type 005 006

 020 030

 011 012

 Panel

 Box

TYPE B

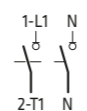


- Fixing box DIN RAIL DIN-EN 50022-35.
- Suitable for Door locking actuators.
- See page 71 for combinable actuators.

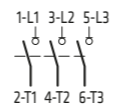
SERIES	AC-21A	AC-23A	CODE		
	AMP. 690V	AMP. 400V	2 POLES	3 POLES	4 POLES
SE63	63	50	SE630002B	SE630003B	SE630004B
SE80	80	60	SE800002B	SE800003B	SE800004B
SE100	100	67	SE1000002B	SE1000003B	SE1000004B



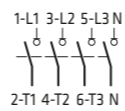
2 POLES



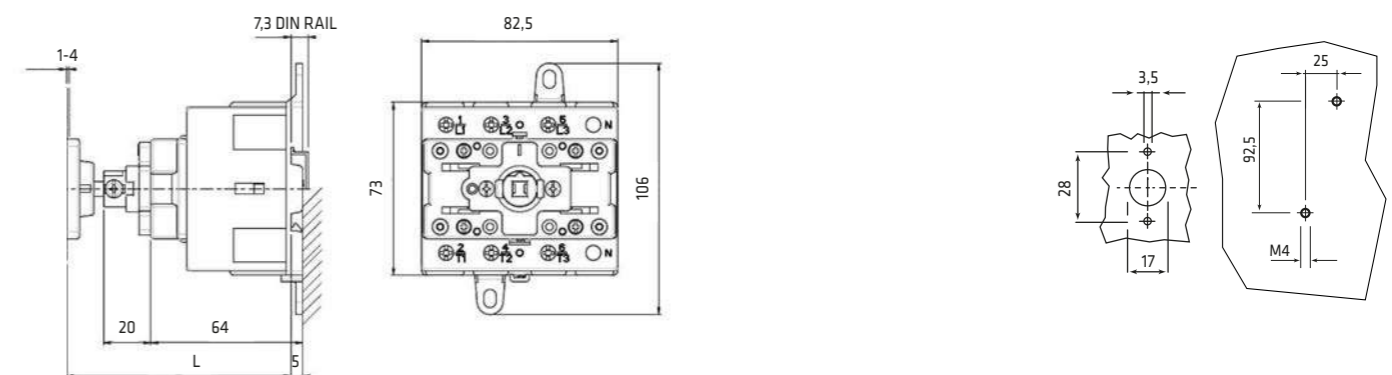
3 POLES



4 POLES



	STANDARD SHAFT	EXTENSION SHAFT □6 CODE 20900010
L min	98	98 (with cut shaft)
L max	128	228


 Panel

 Box

SWITCH DISCONNECTORS WITH FUSE-HOLDERS | BASE MOUNTING

Dimensions and details of fixing holes

TYPE B Box

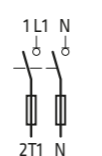


- Fixing box DIN RAIL DIN-EN 50022-35.
- Suitable for Door locking actuators.
- Sectionable fuses-holders.
- For cylindrical fuses 10,3x38 mm UL.

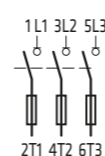
SERIE	AC-21A	UL USO GEN.	CODE		
	AMP. 690V	AMP. 600V	2 POLES	3 POLES	4 POLES
FS20	25	20	FS2010F2B	FS203003B	FS203004B
FS30	32	30	FS3010F2B	FS303003B	FS303004B



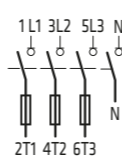
2 POLES



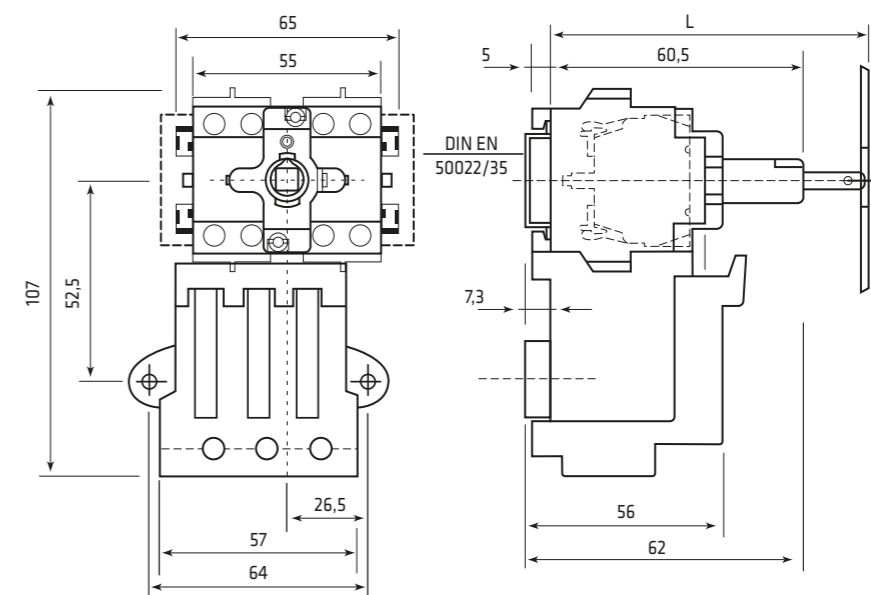
3 POLES



4 POLES



	STANDARD SHAFT	EXTENSION SHAFT □5 CODE 20401089
L min	80	80 (with cut shaft)
L max	120	220



FUSE-HOLDERS

Dimensions and details of fixing holes

For TYPE B Box

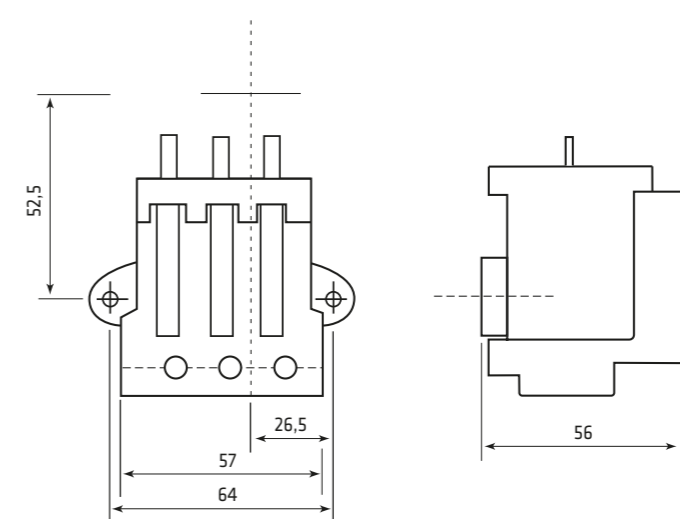
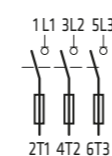


- For disconnectors SE16-SE32 Series, 2-3-4 poles, Base mounting Type B Box.
- For cylindrical fuses 10,3x38 mm UL max 32A.
- IP20 Terminal protection.

CODE
3 POLES
TF323



3 POLES



ACCESSORIES | SE Series

ENCLOSURES | SE Series

BOX FIXING PLATE



SE16 - SE32

11814005

BOX SHAFT BF1/1NGO



SE16 - SE32

11706237

SHAFT EXTENSION FOR DOOR INTERLOCK



□5

SE16 - SE32

L 185 mm

□6

SE63 - SE80
SE100

L 300 mm

20401089

20900010

20401164

20900011

TERMINAL PROTECTION



2 pieces

SE63 - SE80 - SE100 / 4 poles Box & Psnel Mounting

20900003

AUXILIARY CONTACTS



SE16 - SE32

CODE

DIAGRAM

PL004001

1NC 1 — 2

PL004002

1NO 3 — 4

AUXILIARY CONTACTS FIXING PLATE



SE16 - SE32

11814021

The sale of these two accessories is matched for the correct use of the product.

THERMOPLASTIC ENCLOSURES

BF1/1NGO

THERMOPLASTIC BOX

IP65 □

- For bodies Base Mounting type B.
- Arranged for nr. 8 Pg16 - M20 cable glands.
- **Dimensions:** 120x100x85 mm.
- Black box - Grey cover.



SERIES

CODE

SE16

BF1/1NGO

SE32

Order also:

Shaft > 11706237

Plate support > 11814005

BF1/2NGO

THERMOPLASTIC BOX

IP65 □

- For bodies Panel Mounting type R.
- Arranged for nr. 8 Pg16 - M20 cable glands.
- **Dimensions:** 120x100x85 mm.
- Black box - Grey cover.



SERIES

CODE

SE16

BF1/2NGO

SE32

BN1/ONGO

THERMOPLASTIC BOX
COVER WITHOUT HOLES

IP65 □

- For bodies Panel Mounting type R.
- Arranged for nr. 8 Pg16 - M20 cable glands.
- **Dimensions:** 120x100x85 mm.
- Black box - Grey cover.



SERIES

CODE

SE16

BN1/ONGO

SE32

METAL ENCLOSURES

BNA/ONGA

METAL BOX
COVER WITHOUT HOLES

IP65 □

- For bodies Panel Mounting type R and Base Mounting type B.
- Complete with nr. 2 M20 and nr. 2 M25 cable glands plugs.
- **Dimensions:** 105x140x85 mm.
- Black box - Grey cover.



SERIES

CODE

SE16

BNA/ONGA











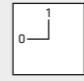
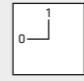

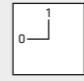
SE32

ACTUATORS | PANEL MOUNTING TYPE R | SCREW FIXING
ACTUATORS | DOOR LOCKING TYPE B | SCREW FIXING
SE16 - SE32 SERIES | EN 60529 - IP65 - UL50 Type 1 - 4 - 4x -12 (◆) Protection NEMA 4x.

Image	Features	Panel Mounting Type R				Door Locking Type B			
		SERIES	FRONT PLATE SIZE	CODE PANEL MOUNTING TYPE R	LEGEND PLATE	SERIES	FRONT PLATE SIZE	CODE DOOR LOCKING TYPE B ▶	LEGEND PLATE
	<ul style="list-style-type: none"> Grey Plate Black knob 	SE16 - SE32	□48	001/0001		SE16 - SE32	□48	020/0001	
	<ul style="list-style-type: none"> Grey Plate Black knob Locking Facility (Max 1 lock) 	SE16 - SE32	□48	003/0001 ◆		SE16 - SE32	□48	005/0001 ◆	
	<ul style="list-style-type: none"> Grey Plate Black knob Locking Facility (Max 3 locks) 	SE16 - SE32	□67	009/0001 ◆		SE16 - SE32	□67	011/0001 ◆	
	<ul style="list-style-type: none"> Yellow Plate Red knob 	SE16 - SE32	□48	002/0001		SE16 - SE32	□48	030/0001	
	<ul style="list-style-type: none"> Yellow Plate Red knob Locking Facility (Max 1 lock) 	SE16 - SE32	□48	004/0001 ◆		SE16 - SE32	□48	006/0001 ◆	
	<ul style="list-style-type: none"> Yellow Plate Red knob Locking Facility (Max 3 locks) 	SE16 - SE32	□67	010/0001 ◆		SE16 - SE32	□67	012/0001 ◆	

▶ The actuator for DOOR LOCKING TYPE B includes the shaft □ 5 L85.

ACTUATORS | PANEL MOUNTING TYPE R | SCREW FIXING
ACTUATORS | DOOR LOCKING TYPE B | SCREW FIXING
SE63 - SE80 - SE100 SERIES | EN 60529 - IP65 - UL50 Type 1 - 4 - 4x -12 [◆] Protection NEMA 4x.

 <ul style="list-style-type: none"> ◆ Grey Plate ◆ Black knob ◆ Locking Facility (Max 3 locks) 	<table border="1"> <thead> <tr> <th>SERIES</th> <th>FRONT PLATE SIZE</th> <th>CODE PANEL MOUNTING TYPE R</th> <th>LEGEND PLATE</th> </tr> </thead> <tbody> <tr> <td>SE63 - SE80 SE100</td> <td>□67</td> <td>049/0001-L ◆</td> <td></td> </tr> </tbody> </table>	SERIES	FRONT PLATE SIZE	CODE PANEL MOUNTING TYPE R	LEGEND PLATE	SE63 - SE80 SE100	□67	049/0001-L ◆		<table border="1"> <thead> <tr> <th>SERIES</th> <th>FRONT PLATE SIZE</th> <th>CODE DOOR LOCKING TYPE B ▶</th> <th>LEGEND PLATE</th> </tr> </thead> <tbody> <tr> <td>SE63 - SE80 SE100</td> <td>□67</td> <td>321/0001</td> <td></td> </tr> </tbody> </table>	SERIES	FRONT PLATE SIZE	CODE DOOR LOCKING TYPE B ▶	LEGEND PLATE	SE63 - SE80 SE100	□67	321/0001	
	SERIES	FRONT PLATE SIZE	CODE PANEL MOUNTING TYPE R	LEGEND PLATE														
SE63 - SE80 SE100	□67	049/0001-L ◆																
SERIES	FRONT PLATE SIZE	CODE DOOR LOCKING TYPE B ▶	LEGEND PLATE															
SE63 - SE80 SE100	□67	321/0001																
 <ul style="list-style-type: none"> ◆ Yellow Plate ◆ Red knob ◆ Locking Facility (Max 3 locks) 	<table border="1"> <thead> <tr> <th>SERIES</th> <th>FRONT PLATE SIZE</th> <th>CODE PANEL MOUNTING TYPE R</th> <th>LEGEND PLATE</th> </tr> </thead> <tbody> <tr> <td>SE63 - SE80 SE100</td> <td>□67</td> <td>050/0001-L ◆</td> <td></td> </tr> </tbody> </table>	SERIES	FRONT PLATE SIZE	CODE PANEL MOUNTING TYPE R	LEGEND PLATE	SE63 - SE80 SE100	□67	050/0001-L ◆		<table border="1"> <thead> <tr> <th>SERIES</th> <th>FRONT PLATE SIZE</th> <th>CODE DOOR LOCKING TYPE B ▶</th> <th>LEGEND PLATE</th> </tr> </thead> <tbody> <tr> <td>SE63 - SE80 SE100</td> <td>□67</td> <td>322/0001</td> <td></td> </tr> </tbody> </table>	SERIES	FRONT PLATE SIZE	CODE DOOR LOCKING TYPE B ▶	LEGEND PLATE	SE63 - SE80 SE100	□67	322/0001	
	SERIES	FRONT PLATE SIZE	CODE PANEL MOUNTING TYPE R	LEGEND PLATE														
SE63 - SE80 SE100	□67	050/0001-L ◆																
SERIES	FRONT PLATE SIZE	CODE DOOR LOCKING TYPE B ▶	LEGEND PLATE															
SE63 - SE80 SE100	□67	322/0001																

ACTUATORS Ø22 | PANEL MOUNTING TYPE X | CENTRAL FIXING
ACTUATORS Ø22 | PANEL MOUNTING TYPE B | CENTRAL FIXING
SE16 - SE32 SERIES | EN 60529 - IP65 - UL50 Type 1 - 4 - 4x -12 (◆) Protection NEMA 4x.


- ➔ Grey Plate
- ➔ Black knob

SERIES	FRONT PLATE SIZE	CODE PANEL MOUNTING TYPE X	LEGEND PLATE
SE16 - SE32	□48	079X/0001	

SERIES	FRONT PLATE SIZE	CODE DOOR LOCKING TYPE B ▶	LEGEND PLATE
SE16 - SE32	□48	095/0001	



- ➔ Grey Plate
- ➔ Black knob
- ➔ Locking Facility (Max 1 lock)

SERIES	FRONT PLATE SIZE	CODE PANEL MOUNTING TYPE X	LEGEND PLATE
SE16 - SE32	□48	087X/0001 ◆	

SERIES	FRONT PLATE SIZE	CODE DOOR LOCKING TYPE B ▶	LEGEND PLATE
SE16 - SE32	□48	077/0001 ◆	



- ➔ Grey Plate
- ➔ Black knob
- ➔ Locking Facility (Max 3 locks)

SERIES	FRONT PLATE SIZE	CODE PANEL MOUNTING TYPE X	LEGEND PLATE
SE16 - SE32	□67	089X/0001 ◆	

SERIES	FRONT PLATE SIZE	CODE DOOR LOCKING TYPE B ▶	LEGEND PLATE
SE16 - SE32	□67	063/0001 ◆	



- ➔ Yellow Plate
- ➔ Red knob

SERIES	FRONT PLATE SIZE	CODE PANEL MOUNTING TYPE X	LEGEND PLATE
SE16 - SE32	□48	080X/0001	

SERIES	FRONT PLATE SIZE	CODE DOOR LOCKING TYPE B ▶	LEGEND PLATE
SE16 - SE32	□48	070/0001	



- ➔ Yellow Plate
- ➔ Red knob
- ➔ Locking Facility (Max 1 lock)

SERIES	FRONT PLATE SIZE	CODE PANEL MOUNTING TYPE X	LEGEND PLATE
SE16 - SE32	□48	088X/0001 ◆	

SERIES	FRONT PLATE SIZE	CODE DOOR LOCKING TYPE B ▶	LEGEND PLATE
SE16 - SE32	□48	069/0001 ◆	



- ➔ Yellow Plate
- ➔ Red knob
- ➔ Locking Facility (Max 3 locks)

SERIES	FRONT PLATE SIZE	CODE PANEL MOUNTING TYPE X	LEGEND PLATE
SE16 - SE32	□67	090X/0001 ◆	

SERIES	FRONT PLATE SIZE	CODE DOOR LOCKING TYPE B ▶	LEGEND PLATE
SE16 - SE32	□67	064/0001 ◆	

▶ The actuator for DOOR LOCKING TYPE B includes the shaft □ 5 L85.

CO1

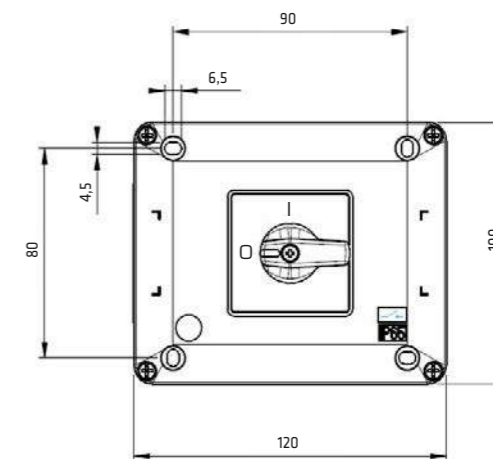
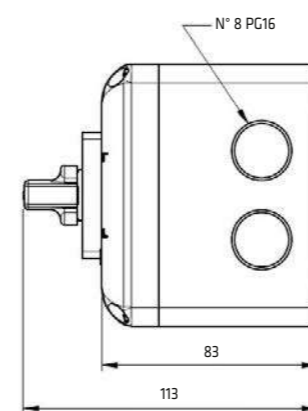
IP65 □



- Opening in "0" position.
- Arranged for nr. 8 Pg16 cable glands of which nr. 2 on the bottom.
- **Dimensions:** 120x100x85 mm.
- Black box - Grey cover - Black knob.

SERIES	AC-21A	AC-23A	CODE	
	AMP. 690V	AMP. 400V	3 POLES	4 POLES
SE16	32	25	SE160003BC01	SE160004BC01
SE32	40	32	SE320003BC01	SE320004BC01

	3 POLES 	4 POLES
--	--------------------	--------------------


EO1

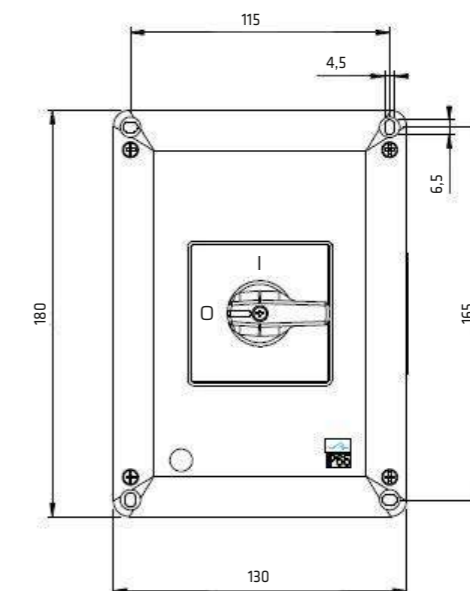
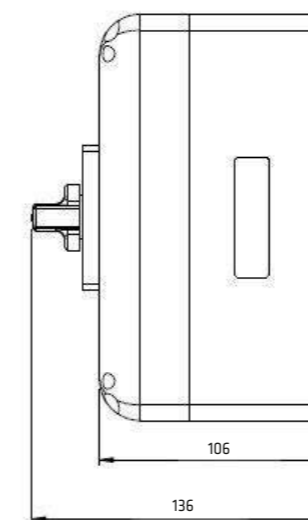
IP65 □



- Opening in "0" position.
- Arranged for nr. 4 cable glands M25/M32 + nr. 2 closed holes ø22,5 mm on the bottom.
- **Dimensions:** 130x180x106 mm.
- Black box - Grey cover - Black knob.

SERIES	AC-21A	AC-23A	CODE	
	AMP. 690V	AMP. 400V	3 POLES	4 POLES
SE63	63	50	SE630003BE01	SE630004BE01
SE80	80	60	SE800003BE01	SE800004BE01

	3 POLES 	4 POLES
--	--------------------	--------------------


CO9

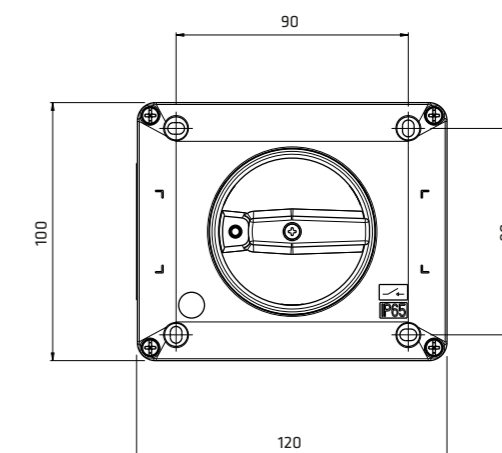
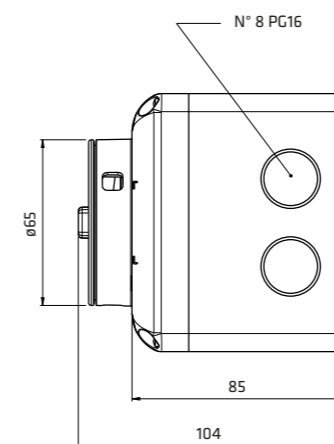
IP65 □



- Opening in "0" position.
- Arranged for nr. 8 Pg16 cable glands of which nr. 2 on the bottom.
- With locking facility in "0 - OFF" (Max 3 locks)
- **Dimensions:** 120x100x85 mm.
- Black box - Grey cover - Black knob.

SERIES	AC-21A	AC-23A	CODE	
	AMP. 690V	AMP. 400V	3 POLES	4 POLES
SE16	32	25	SE160003BC09	SE160004BC09
SE32	40	32	SE320003BC09	SE320004BC09

	3 POLES 	4 POLES
--	--------------------	--------------------



C10

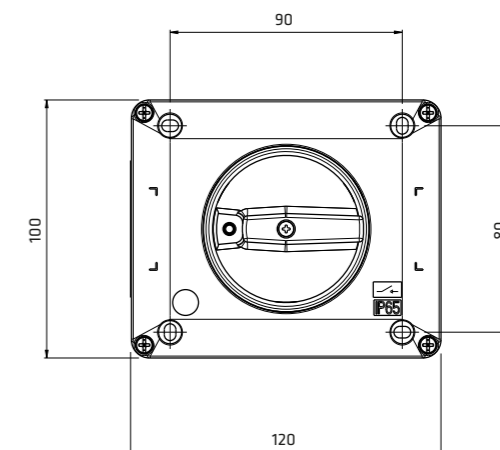
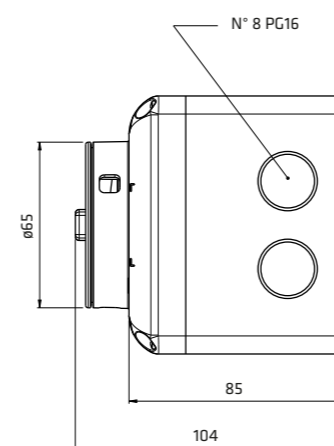
IP65 □



- Opening in "0" position.
- Arranged for nr. 8 Pg16 cable glands of which nr. 2 on the bottom.
- With locking facility in "0 - OFF" (Max 3 locks).
- **Dimensions:** 120x100x85 mm.
- Black box - Yellow cover - Red knob.

SERIES	AC-21A	AC-23A	CODE	
	AMP. 690V	AMP. 400V	3 POLES	4 POLES
SE16	32	25	SE160003BC10	SE160004BC10
SE32	40	32	SE320003BC10	SE320004BC10

	3 POLES 	4 POLES
--	--------------------	--------------------


E09

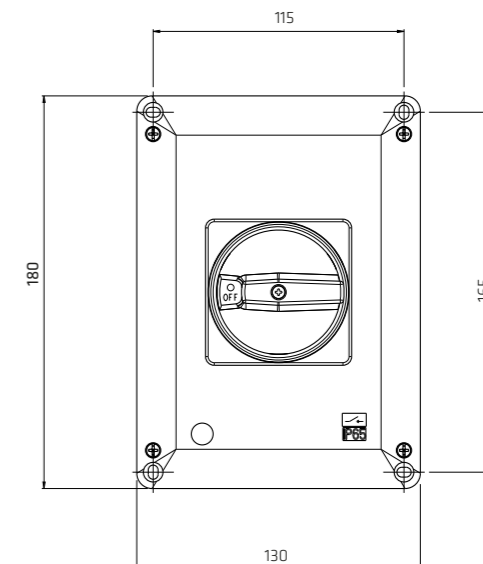
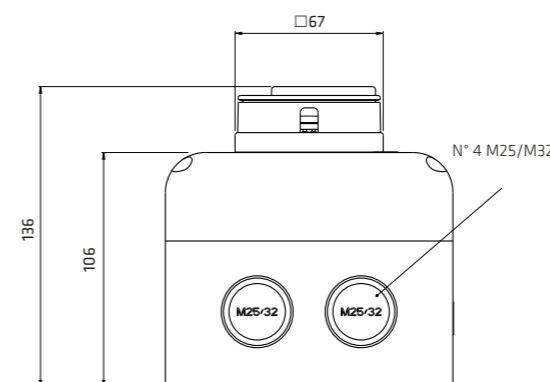
IP65 □



- Opening in "0" position.
- Arranged with nr. 4 cable glands M25/M32 + nr. 2 closed holes ø22,5 mm on the bottom.
- With locking facility in "0 - OFF" (Max 3 locks).
- **Dimensions:** 130x180x106 mm.
- Black box - Grey cover - Black knob.

SERIES	AC-21A	AC-23A	CODE	
	AMP. 690V	AMP. 400V	3 POLES	4 POLES
SE63	63	50	SE630003BE09	SE630004BE09
SE80	80	60	SE800003BE09	SE800004BE09

	3 POLES 	4 POLES
--	--------------------	--------------------


E10

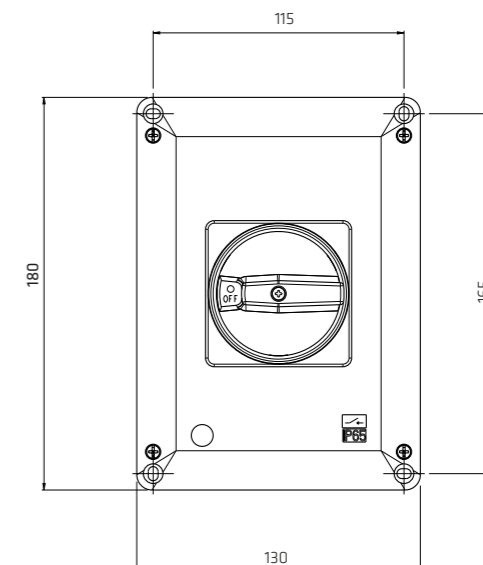
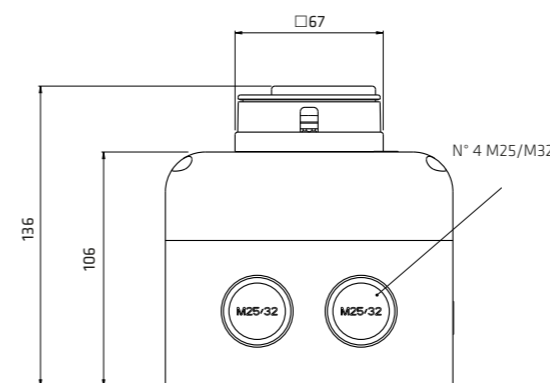
IP65 □



- Opening in "0" position.
- Arranged with nr. 4 cable glands M25/M32 + nr. 2 closed holes ø22,5 mm on the bottom.
- With locking facility in "0 - OFF" (Max 3 locks).
- **Dimensions:** 130x180x106 mm.
- Black box - Yellow cover - Red knob.

SERIES	AC-21A	AC-23A	CODE	
	AMP. 690V	AMP. 400V	3 POLES	4 POLES
SE63	63	50	SE630003BE10	SE630004BE10
SE80	80	60	SE800003BE10	SE800004BE10

	3 POLES 	4 POLES
--	--------------------	--------------------



C41

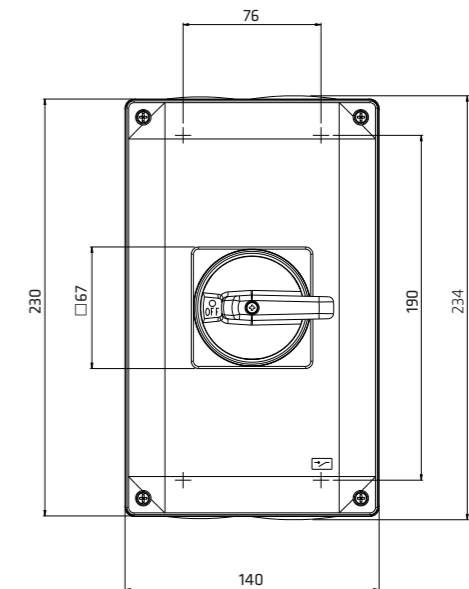
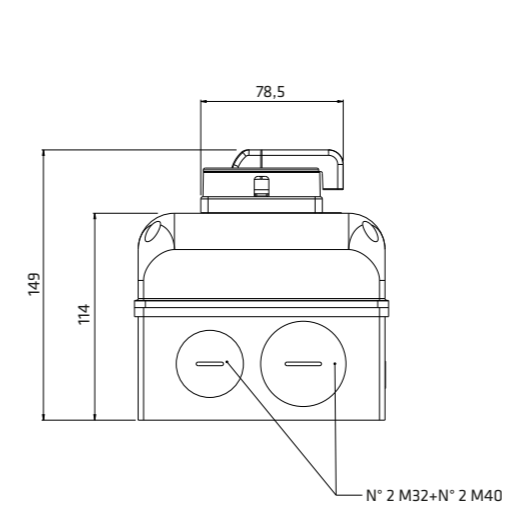
IP65 □



- Opening in "0" position.
- Complete with nr. 2 M32 and nr. 2 M40 cable glands plugs.
- With locking facility in "0 - OFF" (Max 3 locks).
- **Dimensions:** 140x230x114 mm
- Black box - Yellow cover - Red knob.
- UL Approval.

SERIES	AC-21A	AC-23A	CODE	
	AMP. 690V	AMP. 400V	3 POLES	4 POLES
SE63	63	50	SE630003BC41	SE630004BC41
SE80	80	60	SE800003BC41	SE800004BC41
SE100	100	67	SE1000003BC41	SE1000004BC41

3 POLES			4 POLES		
1-L1	3-L2	5-L3	1-L1	3-L2	5-L3 N
2-T1	4-T2	6-T3	2-T1	4-T2	6-T3 N


C42

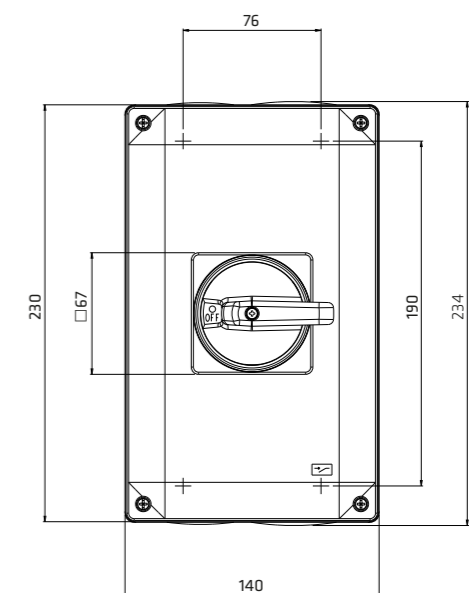
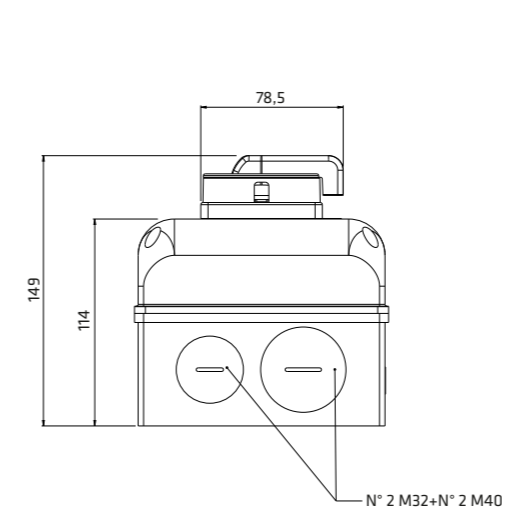
IP65 □



- Opening in "0" position.
- Complete with nr. 2 M32 and nr. 2 M40 cable glands plugs.
- With locking facility in "0 - OFF" (Max 3 locks).
- **Dimensions:** 140x230x114 mm.
- Black box - Grey cover - Black knob.
- UL Approval.

SERIES	AC-21A	AC-23A	CODE	
	AMP. 690V	AMP. 400V	3 POLES	4 POLES
SE63	63	50	SE630003BC42	SE630004BC42
SE80	80	60	SE800003BC42	SE800004BC42
SE100	100	67	SE1000003BC42	SE1000004BC42

3 POLES			4 POLES		
1-L1	3-L2	5-L3	1-L1	3-L2	5-L3 N
2-T1	4-T2	6-T3	2-T1	4-T2	6-T3 N



COMPLETE DEVICES IN METAL ENCLOSURES
SE Series | METAL | Zn & Al
A09

IP65 □

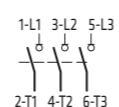


- Opening in "0" position.
- Complete with nr. 2 M20 + nr. 2 M25 cable glands plugs.
- With locking facility in "0 - OFF" (Max 3 locks).
- **Dimensions:** 105x140x85 mm.
- Black box - Grey cover - Black knob.

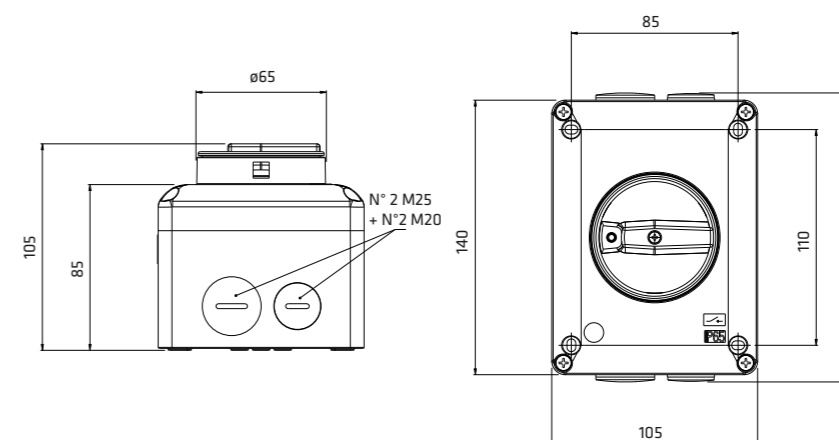
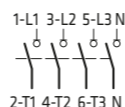
SERIES	AC-21A	AC-23A	CODE	
	AMP. 690V	AMP. 400V	3 POLES	4 POLES
SE16	32	25	SE160003BA09	SE160004BA09
SE32	40	32	SE320003BA09	SE320004BA09



3 POLES



4 POLES


A10

IP65 □

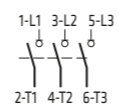


- Opening in "0" position.
- Complete with nr. 2 M20 + nr. 2 M25 cable glands plugs.
- With locking facility in "0 - OFF" (Max 3 locks).
- **Dimensions:** 105x140x85 mm.
- Black box - Yellow cover - Red knob.

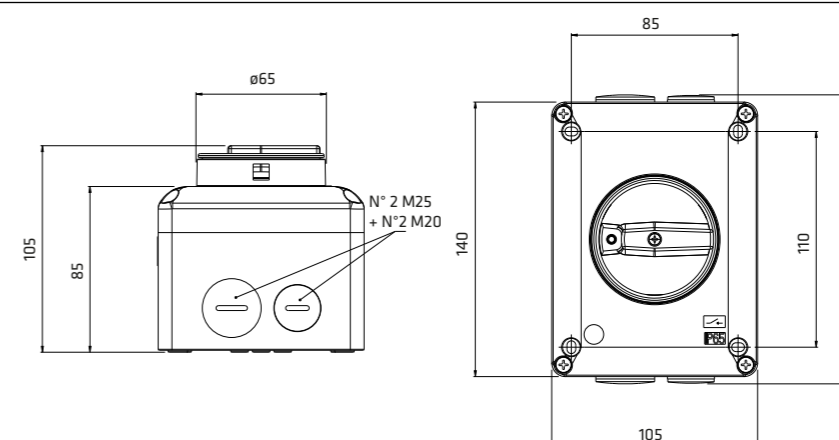
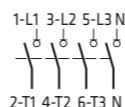
SERIES	AC-21A	AC-23A	CODE	
	AMP. 690V	AMP. 400V	3 POLES	4 POLES
SE16	32	25	SE160003BA10	SE160004BA10
SE32	40	32	SE320003BA10	SE320004BA10



3 POLES



4 POLES


AB9

IP65 □

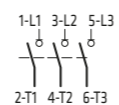


- Opening in "0" position.
- Complete with nr. 2 M40 cable glands plugs.
- With locking facility in "0 - OFF" (Max 3 locks).
- **Dimensions:** 150x200x110 mm.
- Black box - Grey cover - Black knob.

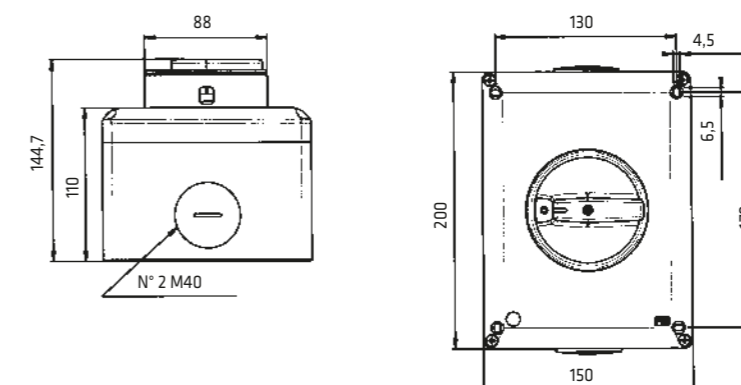
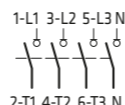
SERIES	AC-21A	AC-23A	CODE	
	AMP. 690V	AMP. 400V	3 POLES	4 POLES
SE63	63	50	SE630003BAB9	SE630004BAB9
SE80	80	60	SE800003BAB9	SE800004BAB9
SE100	100	67	SE1000003BAB9	SE1000004BAB9



3 POLES



4 POLES


AB0

IP65 □

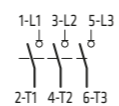


- Opening in "0" position.
- Complete with nr. 2 M40 cable glands plugs.
- With locking facility in "0 - OFF" (Max 3 locks).
- **Dimensions:** 150x200x110 mm.
- Black box - Yellow cover - Red knob.

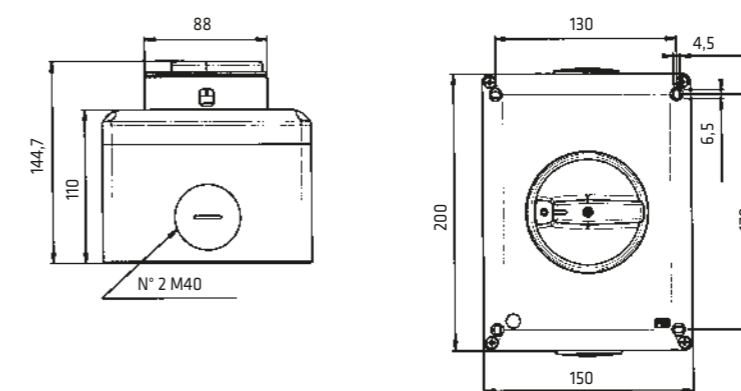
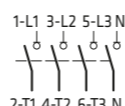
SERIES	AC-21A	AC-23A	CODE	
	AMP. 690V	AMP. 400V	3 POLES	4 POLES
SE63	63	50	SE630003BAB0	SE630004BAB0
SE80	80	60	SE800003BAB0	SE800004BAB0
SE100	100	67	SE1000003BAB0	SE1000004BAB0



3 POLES

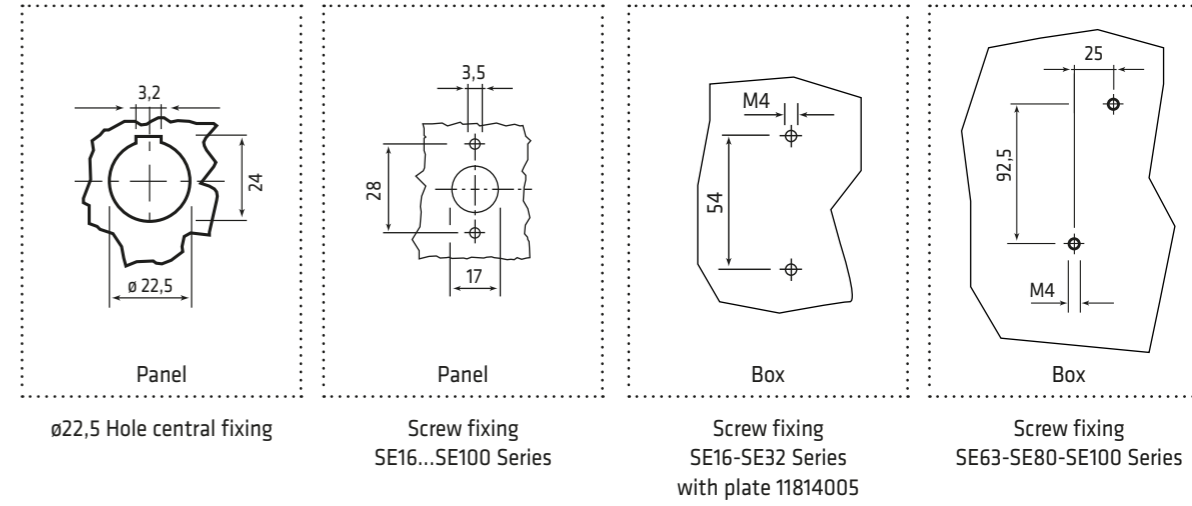
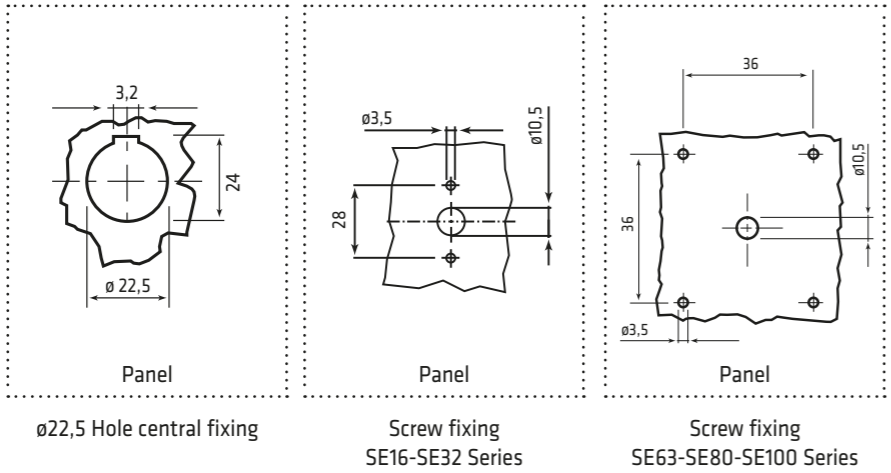
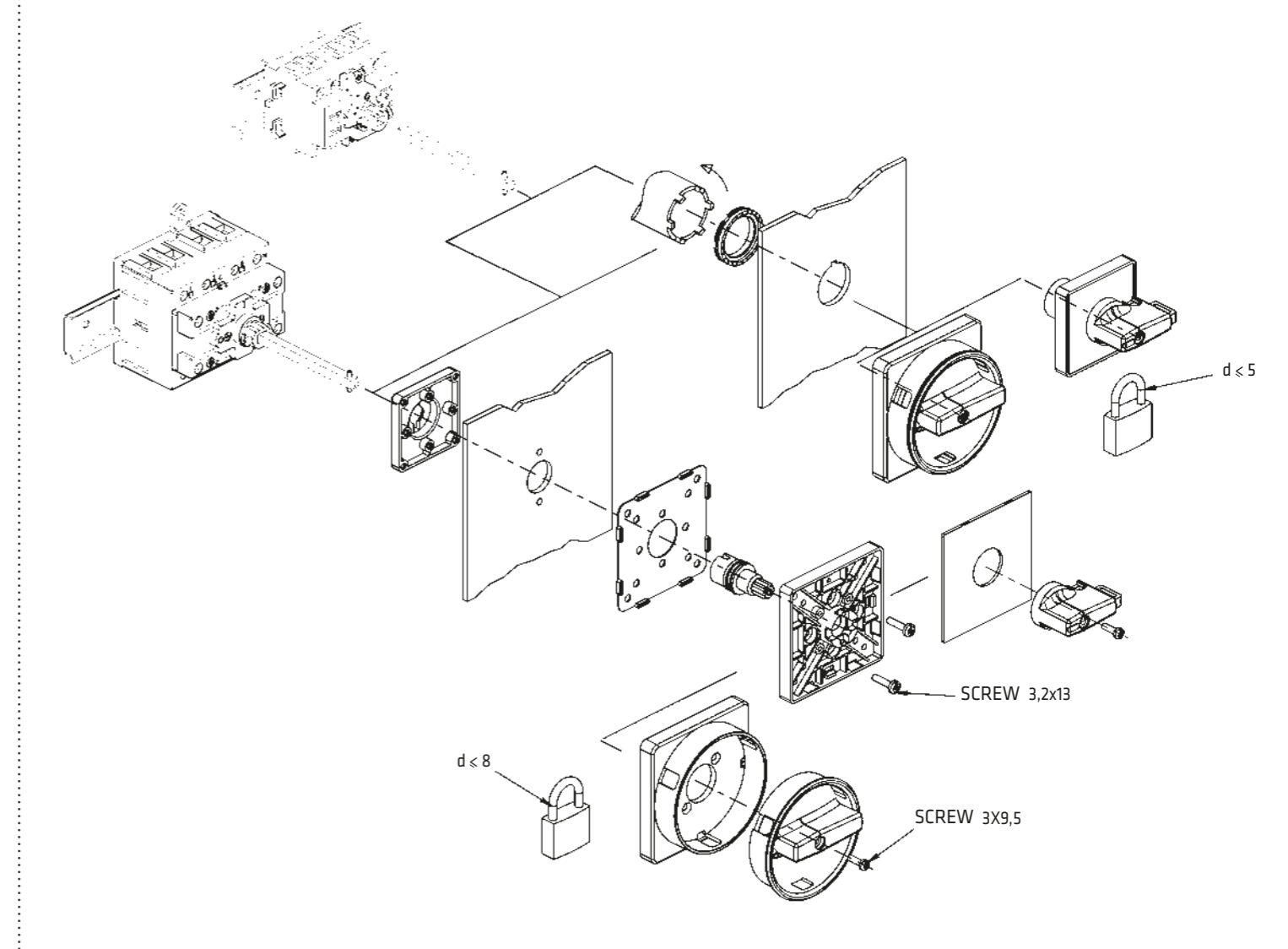
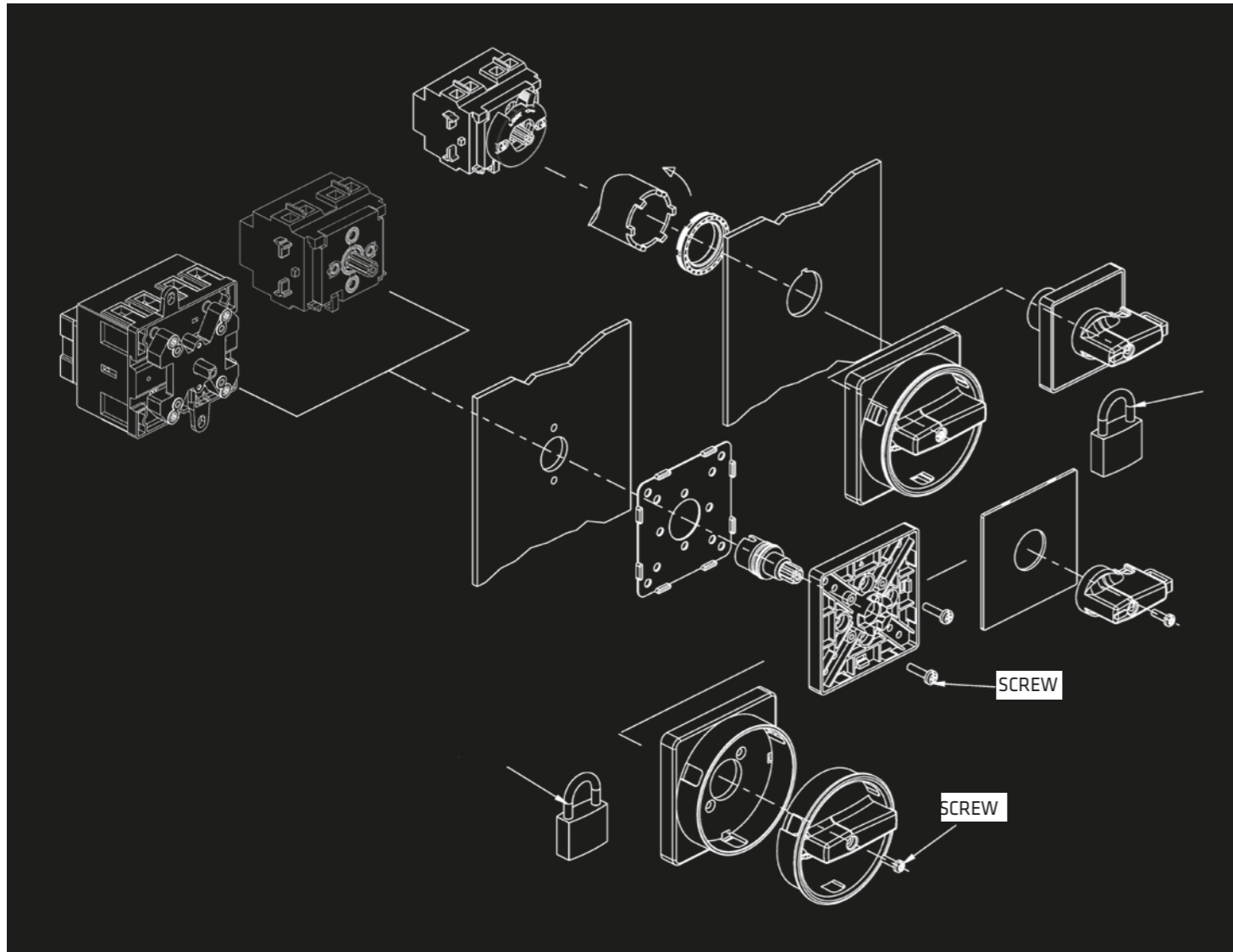


4 POLES



PANEL MOUNTING

BASE MOUNTING



- H E A D Q U A R T E R S -

Giovenzana International B.V.

Strawinskylaan 1427, 1077 XX Amsterdam, The Netherlands
Phone: +31(0)20.4413576 | giovenzana@giovenzana.com

- S W I T Z E R L A N D -

Giovenzana International B.V. | Chiasso Branch

Corso San Gottardo 16 | 6830 Chiasso (TI) | Switzerland
Phone: +41 91 6827933 | giovenzana@giovenzana.com

- U A E -

Giovenzana International B.V. | Dubai Branch

Jafza 15, Jebel Ali Free Zone, P.O Box 262146, Dubai, UAE
Phone: +971 4 8870788 | giovenzana@giovenzana.com

- I N D I A -

Giovenzana Controls India Pvt Ltd

Gat. No. 169, Shalom Empire Compound
Gala No. 1A, Building No. 4 | Ganesh Nagar, Talawade Road West | 411014 Pune
Phone: +91 2242640071 | ggindia@giovenzana.com

- B R A S I L -

Giovenzana Brasil LTDA

Rodovia BR-116 N° 6405 Cep. 92725-000 | Guaíba (RS) | Brasil
Phone: (+55) 51 3055 1033 | comercial@giovenzana.com

Stay updated on the latest news and innovations
from Giovenzana by visiting our **website**:

giovenzana.com