

SUPAFLEX

www.supaflex.co.in

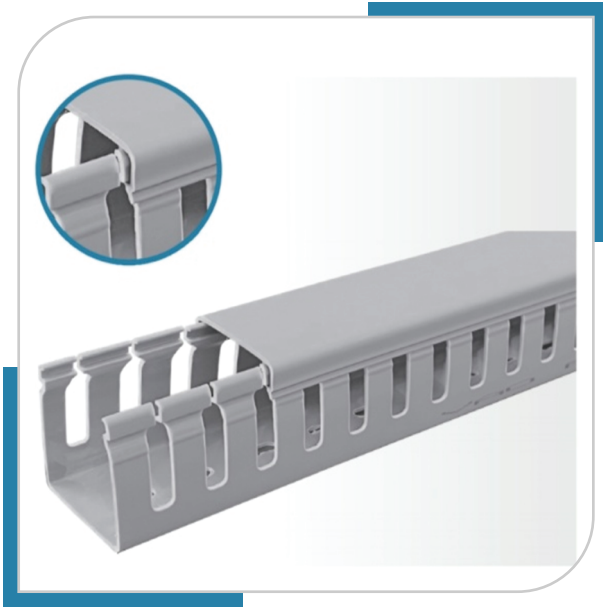


PVC WIRING DUCT

A trusted **BRAND** for industrial needs

PRODUCT CATALOG

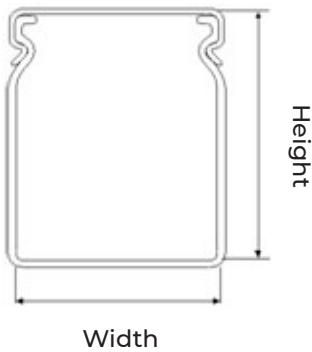




PVC Wiring Duct - Type A Locking

Technical Details

- Material :** Rigid Polyvinylchloride (PVC)
- Tensile Strength :** 320 kg/cm²
- Temperature Range :** -30°C - 60°C
- Flammability :** UL94 V0
- Mounting Hole as per DIN Standard**
- Snap Fit Cover**
- Bur Free Edges**
- Non Brittle**
- Wide & Narrow Slot**
- CE, ROHS, REACH, FRLS**



Size (Height x Width)	Part Code	Finger Slot	Height (mm)	Width (mm)	MOQ Packing Qty (Mtr)
15x15	SFWDN15X15-A	Narrow	15	15	250
	SFWDW15X15-A	Wide			
25x25	SFWDN25X25-A	Narrow	25	25	120
	SFWDW25X25-A	Wide			
30x25	SFWDN30x25-A	Narrow	30	25	120
	SFWDW30x25-A	Wide			
45x25	SFWDN45x25-A	Narrow	45	25	120
	SFWDW45x25-A	Wide			
45x45	SFWDN45x45-A	Narrow	45	45	70
	SFWDW45x45-A	Wide			
45x60	SFWDN45x60-A	Narrow	45	60	40
	SFWDW45x60-A	Wide			
60x25	SFWDN60x25-A	Narrow	60	25	90
	SFWDW60x25-A	Wide			
60x60	SFWDN60x60-A	Narrow	60	60	40
	SFWDW60x60-A	Wide			
75x25	SFWDN75x25-A	Narrow	75	25	70
	SFWDW75x25-A	Wide			
75x45	SFWDN75x45-A	Narrow	75	45	44
	SFWDW75x45-A	Wide			
75x60	SFWDN75x60-A	Narrow	75	60	38
	SFWDW75x60-A	Wide			

Size (Height x Width)	Part Code	Finger Slot	Height (mm)	Width (mm)	MOQ Packing Qty (Mtr)
75x75	SFWDN75x75-A	Narrow	75	75	24
	SFWDW75x75-A	Wide			
100x100	SFWDN100x100-A	Narrow	100	100	18
	SFWDW100x100-A	Wide			

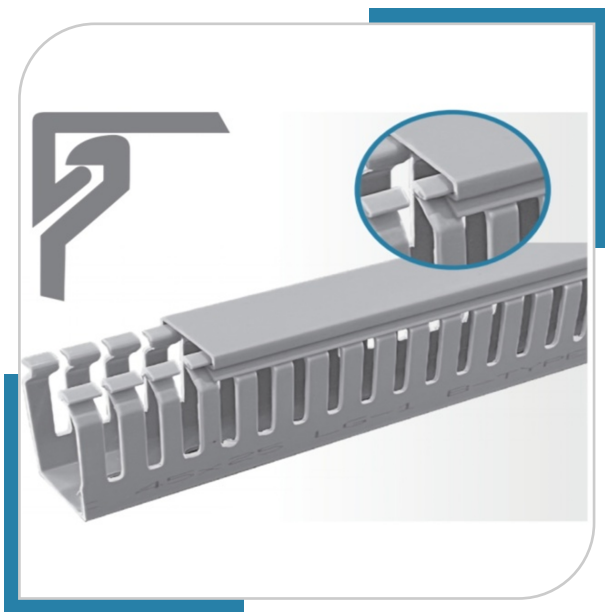
Available in Solid wall (Unslotted) also. (SFWDS-A)

Standard Length - 1 Mtr & 2 Mtr

Available In Colors : Grey, White, Black (Other Colors are available on request)

Formula for Calculating Fill Capacity

$$\text{NUMBER OF WIRES} = \frac{\text{Duct W x H}}{1.75 \times (\text{Wire O.D.})^2 / 2}$$



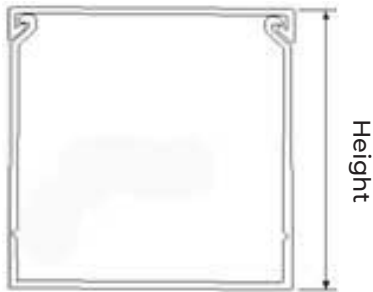
PVC Wiring Duct - Type B Locking

Technical Details

- Material : Rigid Polyvinylchloride (PVC)
- Tensile Strength : 320 kg/cm²
- Temperature Range : -30°C - 60°C
- Flammability : UL94 V0
- Mounting Hole as per DIN Standard
- Non Slip Cover
- Bur Free Edges
- Non Brittle
- Narrow Slot
- Double restriction Slots
- CE, ROHS, REACH, FRLS



Non Slip Cover



Width

Height

Size (Height x Width)	Part Code	Finger Slot	Height (mm)	Width (mm)	Thickness (mm)	MOQ Packing Qty (Mtr)
25x25	SFWDN25X25-B	Narrow	25	25	1.3	120
40x25	SFWDN40X25-B	Narrow	40	25	1.4	120
40x30	SFWDN40X30-B	Narrow	40	30	1.4	100
40x40	SFWDN40X40-B	Narrow	40	40	1.5	70
40x60	SFWDN40X60-B	Narrow	40	60	1.8	40
45x25	SFWDN45X25-B	Narrow	45	25	1.4	120
45x45	SFWDN45X45-B	Narrow	45	45	1.5	70
60x25	SFWDN60X25-B	Narrow	60	25	1.7	90
60x40	SFWDN60X40-B	Narrow	60	40	1.8	50
60x45	SFWDN60X45-B	Narrow	60	45	1.8	50
60x60	SFWDN60X60-B	Narrow	60	60	1.8	40
80x25	SFWDN80X25-B	Narrow	80	25	2	40
80x40	SFWDN80X40-B	Narrow	80	40	2	50
80x60	SFWDN80X60-B	Narrow	80	60	2	40
80x80	SFWDN80X80-B	Narrow	80	80	2	44
100x25	SFWDN100X25-B	Narrow	100	25	2	60
100x40	SFWDN100X40-B	Narrow	100	40	2.1	70
100x60	SFWDN100X60-B	Narrow	100	60	2.1	44
100x80	SFWDN100X80-B	Narrow	100	80	2.1	24
100x100	SFWDN100X100-B	Narrow	100	100	2.6	18

Available in Solid wall (Unslotted) also. (SFWDS-B)

Standard Length - 1 Mtr & 2 Mtr

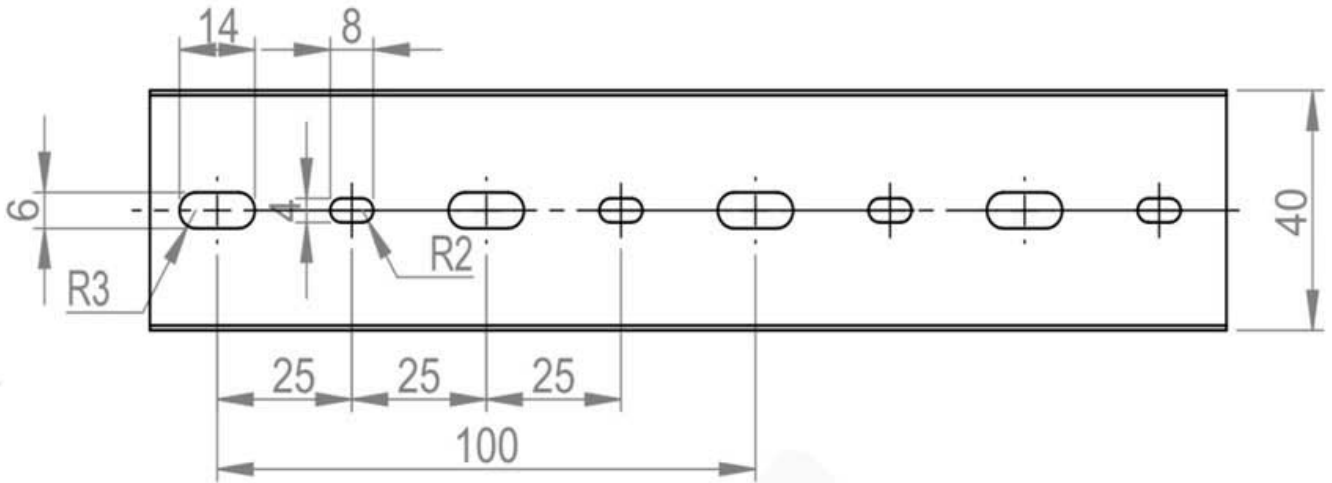
Available In Colors : Grey, White, Black (Other Colors are available on request)

Formula for Calculating Fill Capacity

$$\text{NUMBER OF WIRES} = \frac{\text{Duct W x H}}{1.75 \times (\text{Wire O.D.})^2 / 2}$$

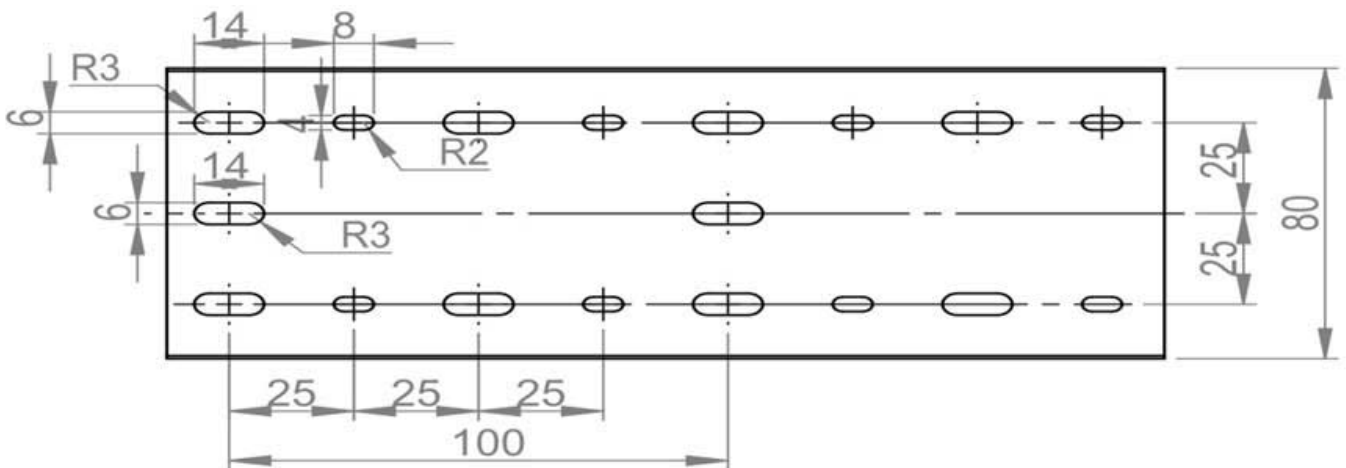
Technical Details – Bottom Slots

Single Mounting Pattern - For Width 25mm – 60mm



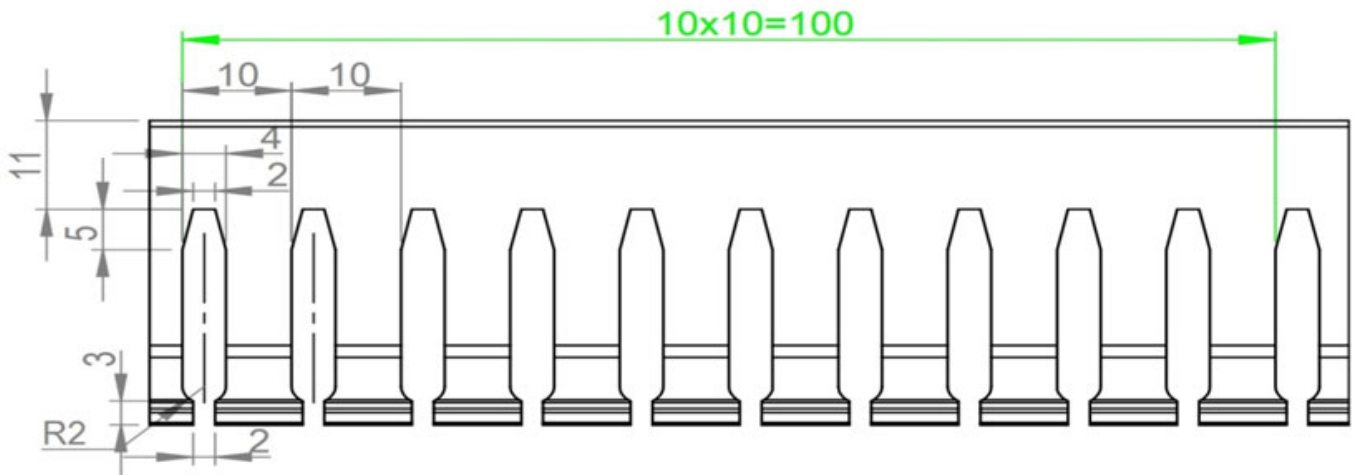
Technical Details – Bottom Slots

Triple Mounting Pattern - For Width 80mm – 100mm

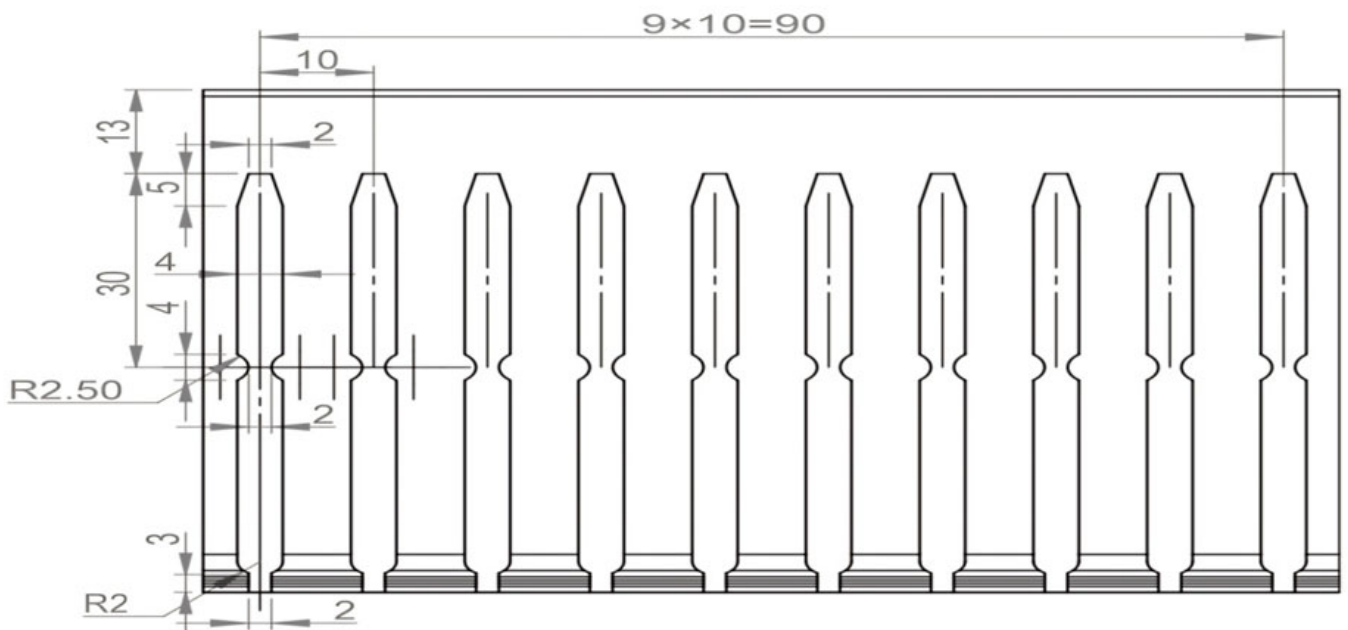


Technical Details – Side Slots

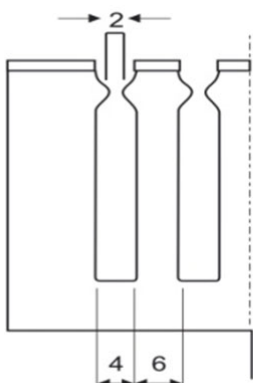
Single Restriction Slot - For Height 25mm – 45mm



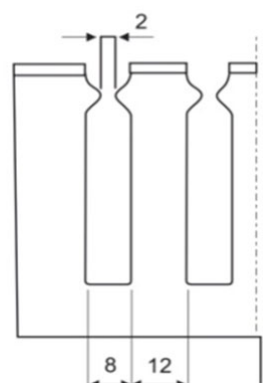
Double Restriction Slot - For Height 60mm – 100mm



Narrow Slot



Wide Slot





PVC Baten Casing

Technical Details

Material : Rigid Polyvinylchloride (PVC)
Tensile Strength : 320 kg/cm²
Temperature Range : -30°C - 60°C
Flammability : UL94 V0
Bur Free Edges
Non Brittle
CE, ROHS, REACH, FRLS

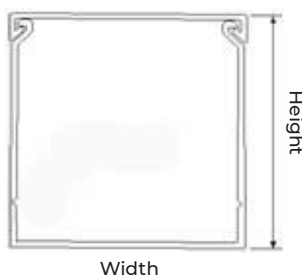
Size (Height x Width)	Part Code	Slot	Height (mm)	Width (mm)	Thickness (mm)	MOQ Packing Qty (Mtr)
12x20	BT-12X20	Unlotted	12	20	0.9	100
16x25	BT-16X25	Unlotted	16	25	1	100
16x32	BT-16X32	Unlotted	16	32	1.1	100
50x50	BT-50X50	Unlotted	50	50	1.5	40
50x100	BT-50X100	Unlotted	50	100	2.1	24

Standard Length - 1 Mtr & 2 Mtr

Available Color - White (Other Colors are also available on request)



B Type Locking



Formula for Calculating Fill Capacity

$$\text{NUMBER OF WIRES} = \frac{\text{Duct W x H}}{1.75 \times (\text{Wire O.D.})^2 / 2}$$

Wiring Duct Cutter - WT-1



- WT-1 is a pocket size wire duct cutters designed for use with small sizes slotted plastic wiring ducts and covers.
- Cuts Slotted Wiring Duct & Covers
- Locks into a slim, compact position for easy storage inside your tool box.
- Range : 60mm

Model	WT-1
Cutting type	Wiring Duct
Cutting range	Max 60mm
Length	210mm
Weight	0.38 kg

Wiring Duct Cutter - WT-2

Feature

Steel Blade, Surface Electroplated

Size: 500mm* 100mm * 80mm

Colour : chassis bracket is black, blade and fixture are silver gray.

Cutting range: 0mm ~ 80mm (removing 45 degree positioning can cut 100mm wiring duct)

Apply to cut PVC pipe, PPR pipe, PE pipe, EXP pipe or other aluminum plastic pipe.

Parameters

Model	WT-2
Cutting type	Wiring Duct
Cutting range	0mm ~ 80mm (removing 45 degree positioning can cut 100mm wiring duct)
Weight	7.0 kg





Wiring Duct Cutter - WT-3

Feature

High-carbon steel Blade, Surface Electroplated

Used to cut wiring duct and cover, Max available width: 100mm

High strength cutting blade, anti-abrasion.
High efficient, free of burrs after cutting.

Cutting range : 125mm

Apply to cut PVC pipe, PPR pipe, PE pipe, EXP pipe or other aluminum plastic pipe.

Parameters

Model	WT-3
Cutting type	Wiring Duct
Cutting range	Max 100mm
Weight	5.0 kg

SUPA FLEX PVT. LTD.

Plot No. 83/6, Firni Road, Udyog Nagar, Mundka, New Delhi-110041 INDIA

sales@supaflex.co.in, sales1@supaflex.co.in

+91-9599992306-07-09

Follow us on



Download Catalog Here

198 Kezhu Road, Sciencetech Park, Guangzhou Economic & Technological
Development District, Guangzhou, China 510663
Telephone: +86 (0) 20 82155555
Fax: +86 (0) 20 82075059
Email: ee.guangzhou@sgs.com

VERIFICATION OF EMC COMPLIANCE

Verification No.: GZEM1904011953HSV
Applicant: SUPA FLEX PVT LTD
Address of Applicant: 8/33, THIRD FLOOR, INDUSTRIAL AREA
KIRTI NAGAR, NEW DELHI 110015
Manufacturer: The same as applicant.
Address of Manufacturer: The same as applicant.
Factory: The same as applicant.
Address of Factory: The same as applicant.
Product Description: PVC WIRING DUCTS
Model No: SFWDNxxx SFWDWxxx SFWDSxxx

Trade Mark: SUPAFLEX
Sufficient samples of the product have been tested and found to be in conformity with
Test Standards: EN 55014-1:2017
EN 55014-2:2015
EN 61000-3-2:2014
EN 61000-3-3:2013

As shown in the
Test Report Number(s): GZEM190401195301

This verification of EMC Compliance has been granted to the applicant based on the results of the tests, performed by laboratory of
SGS-CSTC Standards Technical Services Co., Ltd. on the sample of the above-mentioned product in accordance with the provisions of the
relevant specific standards under Directive 2014/30/EU.

The CE mark as shown below can be used, under the responsibility of the manufacturer, after completion of an EU Declaration of
Conformity and compliance with all relevant EU Directives.



Date: 2019-05-28



Unless otherwise agreed in writing, this document is issued by the Company subject to its General Conditions of Service printed
overleaf, available on request or accessible at <http://www.sgs.com/en/Terms-and-Conditions.aspx> and, for electronic format documents,
subject to Terms and Conditions for Electronic Documents at <http://www.sgs.com/en/Terms-and-Conditions/Terms-e-Document.aspx>.
Attention is drawn to the limitation of liability, indemnification and jurisdiction issues defined therein. Any holder of this document is
advised that information contained hereon reflects the Company's findings at the time of its intervention only and within the limits of
Client's instructions, if any. The Company's sole responsibility is to its Client and this document does not exonerate parties to a
transaction from exercising all their rights and obligations under the transaction documents. This document cannot be reproduced
except in full, without prior written approval of the Company. Any unauthorized alteration, forgery or falsification of the content or
appearance of this document is unlawful and offenders may be prosecuted to the fullest extent of the law. Unless otherwise stated the
results shown in this test report refer only to the sample(s) tested and such sample(s) are retained for 30 days only.

Attention: To check the authenticity of testing/inspection report & certificate, please contact us at telephone: (86-755) 51071443
or email: CN.Detective@sgs.com
No. 198 Kezhu Road, Sciencetech Park, Guangzhou Economic & Technological Development District, Guangzhou, China 510663 | (86-20) 82155555 | (86-20) 82075058 | www.sgs.com.cn
中国·广州·经济技术开发区科学城科珠路198号 邮编: 510663 | (86-20) 82155555 | (86-20) 82075058 | sgs.china@sgs.com



BHARTI AUTOMATION PVT. LTD. (A Testing Division)



Report No. **240321001** **TEST REPORT** Page 1 of 6
 ULR NO. : **TC72532400000240F** Issue Date: **01/04/2024**

Discipline:	Electrical Testing	Environmental Test Facility
Report Reference No.....	240321001	
Applicant's name.....	SUPA FLEX PVT LTD	
Address	83/6, Ground Floor, Udyog Nagar, Mundka New Delhi 110041	
Manufacture's Name	SUPA FLEX PVT LTD	
Address	83/6, Ground Floor, Udyog Nagar, Mundka New Delhi 110041	
Test item description:		
Product name	PVC WIRING DUCT	
Brand Name.....	SUPAFLEX	
Model and/or type reference	SFWDN, SFWDW, SFWDS	Serial Number.....: N/A
Test specification.....	UL 94: 2013 (edition 6) Tests for Flammability of Plastic Materials for Parts in Devices and Appliances	
Testing Laboratory information:		
Testing Laboratory Name	Bharti Automation Pvt. Ltd (A Testing Division)	
Address	Plot No-354, Sector-7, IMT Manesar, Gurgaon-122051	
Test Result.....	The test item passed / failed the test specification(s).	
Declaration of Conformity.....	Declaration of conformity of the results is based as per the standard limits	
Other Aspects:		
Condition of sample on Receipt: The test sample was visually inspected and found to be satisfactory.		
This report consists of 6 pages.		
PVC WIRING DUCT been tested as per UL 94: 2013 (edition 6) and complying to all parameters.		

Tested by:  Sajid (Test Engineer) Date: 01/04/2024	Reviewed by / Authorized Signatory:  Ashok Giri (Technical Manager) Date: 01/04/2024	Issued by:  Suraj Kumar (Customer Executive) Date: 01/04/2024
---	---	--

Format no. BA/TR/01 rev. no. 01, rev.date 10/06/2023





BHARTI AUTOMATION PVT. LTD. (A Testing Division)



Report No. 240321001

TEST REPORT

Page 2 of 6

ULR NO. : TC725324000000240F

Issue Date: 01/04/2024

General remarks:

- 1) The test results presented in this report relate only to the object tested. All information about the Test item is provided by customer in SRF.
- 2) Test report is not to be reproduced wholly or in part and should not be used in any advertising media without our special permission in writing.
- 3) All test shall be performed at laboratory premises (Plot no. 354, Sector -7, IMT Manesar, Gurgaon-122050)
- 4) The Tested samples shall be destroyed after 30 days from the date of Reporting unless specified otherwise in writing.
- 5) The Testing Standards/Instruments used are maintained in accordance with ISO/IEC 17025 and are traceable to National and International standards.
- 6) The decision rule will be applied based on Statement of Conformity requested by the Customer in SRF.
- 7) Laboratory is responsible for reported results only rest of the information is provided by customer & laboratory is not responsible for customer supplied information.
- 8) Test report shall not be utilized for any legal purpose and will not be produced in the Court of law and no responsibility would be attached to Lab.

Possible test case verdicts:

- Test case does not apply to the test object.....: N/A
- Test object does meet the requirement.....: P (Pass)
- Test object does not meet the requirement.....: F (Fail)

Testing

Date of receipt of test item 21/03/2024
 Date(s) of performance of tests 21/03/2024 to 29/03/2024
 Date of Issue..... 01/04/2024

Laboratory conditions

Ambient Temperature 25 ± 10°C
 Ambient Humidity..... 60 ± 15%RH





BHARTI AUTOMATION PVT. LTD.
(A Testing Division)



Report No. 240321001

TEST REPORT

Page 3 of 6

ULR NO. : TC725324000000240F

Issue Date: 01/04/2024

INDEX		
S. NO	TESTS	PAGE NO.
1	COVERING PAGE	1-2
2	INDEX	3-3
3	PHOTOS	4-4
4	OBSERVATION/RESULTS	5-6

BHARTI





BHARTI AUTOMATION PVT. LTD.
(A Testing Division)



Report No. 240321001

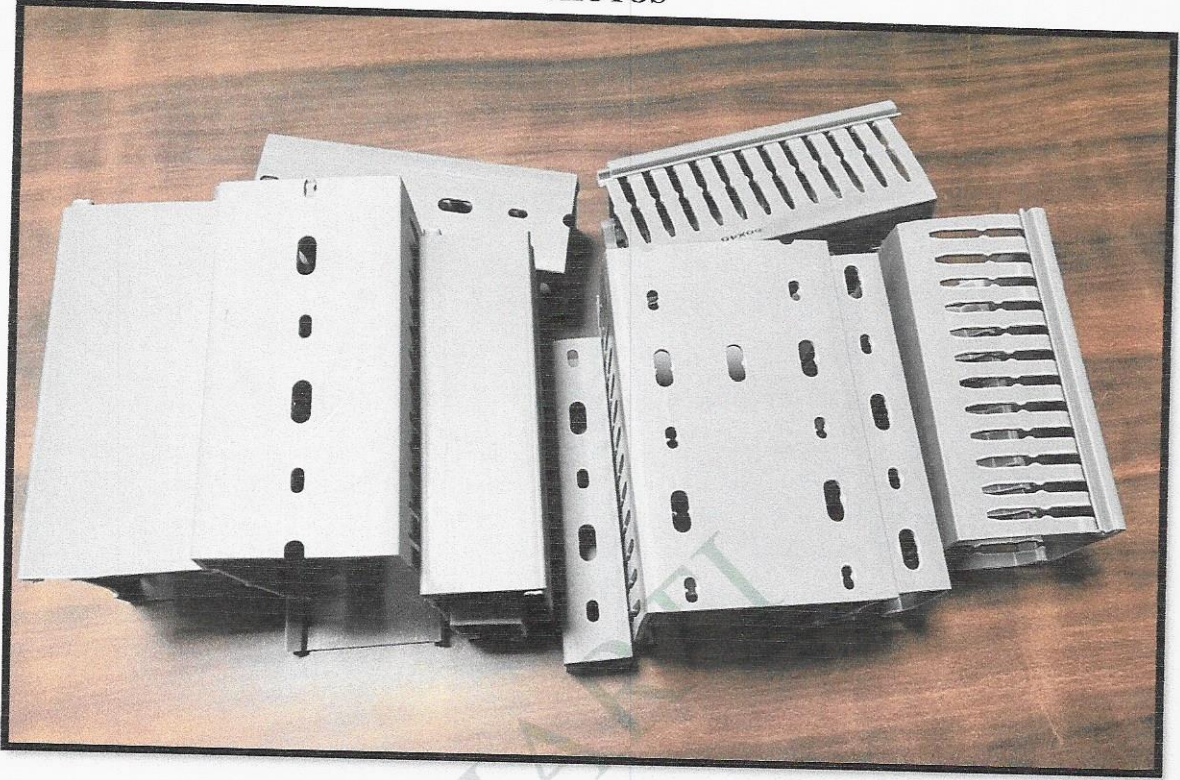
TEST REPORT

Page 4 of 6

ULR NO. : TC725324000000240F

Issue Date: 01/04/2024

PHOTOS



Sample as Received





BHARTI AUTOMATION PVT. LTD. (A Testing Division)



Report No. 240321001

TEST REPORT

Page 5 of 6

ULR NO. : TC72532400000240F

Issue Date: 01/04/2024

Vertical Burning Test (V0)

Test condition:

- a) Burner angle : 45°
- b) Burner internal dia. : 9.5 mm
- c) Flame application duration: 2 x 10Sec

Conditioning of test samples:

- a) Temperature : 25 ± 2 °C
- b) Relative Humidity: 50 ± 10 %
- c) Duration : 48 hrs.
- d) No of Samples :5

The specimen was supported vertically at one end and the free end exposed to a gas flame for 10 seconds. After removal of the flame, the specimen was observed for time and extent of burning.

Sample No	1	2	3	4	5	REQUIREMENT
Observation: Flame Extinguished time after removal of 1st flame :(s)	4	3	3	4	2	10 (Max)
Flame Extinguished time after 2nd flame removal:(s)	4	4	5	6	5	30(Max)
After Flame or Glowing	No Flame or Glowing	No Flame or Glowing	No Flame or Glowing	No Flame or Glowing	No Flame or Glowing	Sample should not burn the holding clamp after the fame or glowing
Dripping of burning specimens	No ignition	No ignition	No ignition	No ignition	No ignition	Should not ignite the cotton
Total flame time for 1 st and 2 nd Flame removal:(s)	40					50(max)





BHARTI AUTOMATION PVT. LTD. (A Testing Division)



Report No. 240321001

TEST REPORT

Page 6 of 6

ULR NO. : TC72532400000240F

Issue Date: 01/04/2024

Test Condition:

- a) Temperature: 70°C
- b) Test Duration: 7 days
- c) No of sample: 5

After conditioning Flammability test was performed

Sample No	6	7	8	9	10	REQUIREMENT
Observation: Flame Extinguished time after removal of 1st flame :(s)	4	4	3	4	3	10 (Max)
Flame Extinguished time after 2nd flame removal:(s)	7	5	7	4	6	30(Max)
After Flame or Glowing	No Flame or Glowing	No Flame or Glowing	No Flame or Glowing	No Flame or Glowing	No Flame or Glowing	Sample should not burn the holding clamp after the fame or glowing
Dripping of burning specimens	No ignition	No ignition	No ignition	No ignition	No ignition	Should not ignite the cotton
Total flame time for 1 st and 2 nd Flame removal:(s)	47					50(max)

Remark: Sample meets the requirements as per UL 94: 2013 (V0)

*****End of The Test Report*****



TEST REPORT

Report No. : BG:EE:1051000958

DATE : 30/04/2019



SUPA FLEX PVT LTD
8/33, THIRD FLOOR,
INDUSTRIAL AREA KIRTI NAGAR,
NEW DELHI -110 015
INDIA

CONTACT PERSON MR NEERAJ KAPOOR

THE FOLLOWING SAMPLE(S) WAS/WERE SUBMITTED AND IDENTIFIED BY/ON BEHALF OF THE CUSTOMER AS :

SAMPLE DESCRIPTION	PVC WIRING DUCT
MAKE	SUPA FLEX
MATERIAL	PVC
PART/REF. NO.	SFWDNxxxx SFWDWxxxx SFWDSxxxx
COUNTRY OF DESTINATION	INDIA
COUNTRY OF ORIGIN	INDIA
SAMPLE RECD ON	27/03/2019
TEST(S) REQUESTED	RoHS 10E

TESTING PERIOD : 27/03/2019-02/04/2019

CONCLUSION: Based on the performed tests on submitted sample(s), the results of Cadmium, Lead, Mercury, Hexavalent chromium, Polybrominated biphenyls (PBBs), Polybrominated diphenyl ethers (PBDEs), Dibutyl Phthalate (DBP), Butyl benzyl Phthalate (BBP), Bis (2-ethylhexyl) Phthalate (DEHP), Diisobutyl Phthalates (DIBP) comply with the limits as set by RoHS Directive (EU) 2015/863 amending Annex II to Directive 2011/65/EU.

per pro SGS India Private Ltd.

Authorised Signatory

S.SasiKumar

(Assistant Manager)

Email your Test Report Related Enquiries at Feedback.HLT@sgs.com

JOE No. : 1951800240

Control No 1051500738

This document is issued by the Company subject to its General Conditions of Service printed overleaf, available on request or accessible at <http://www.sgs.com/terms> and, for electronic format documents, subject to Terms and Conditions for Electronic Documents at www.sgs.com/terms_e-document.htm. Attention is drawn to the limitation of liability, indemnification and jurisdiction issues defined therein. Any holder of this document is advised that information contained hereon reflects the Company's findings at the time of its intervention only and within the limits of Client's instructions, if any. The Company's sole responsibility is to its Client and this document does not exonerate parties to a transaction from exercising all their rights and obligations under the transaction documents. This document cannot be reproduced except in full, without prior written approval of the Company. Any unauthorized alteration, forgery or falsification of the content or appearance of this document is unlawful and offenders may be prosecuted to the fullest extent of the law. Unless otherwise stated the results shown in this test report refer only to the sample(s) tested and such sample(s) are retained for 30 days only.

TEST REPORT

Report No. : BG:EE:1051000958

DATE : 30/04/2019



Test Part Description:

Product No.	Sample No.	Material Description	Remarks
-	1	PVC WIRING DUCT	-

Remarks:

- (1) 1mg/kg=0.0001%
- (2) MDL = Method Detection Limit
- (3) ND = Not Detected (<MDL)
- (4) - = not regulated

RoHS Directive (EU) 2015/863 amending Annex II to Directive 2011/65/EU

Test Method:

- (1) With reference to IEC 62321-5:2013, determination of Cadmium by ICP-OES.
- (2) With reference to IEC 62321-5:2013, determination of Lead by ICP-OES.
- (3) With reference to IEC 62321-4:2013+A1:2017 determination of Mercury by ICP-OES
- (4) With reference to IEC 62321-7-2:2017, determination of Hexavalent Chromium by Colorimetric Method using UV-Vis and/or with reference to IEC 62321-5:2013, determination of Chromium by ICP-OES.
- (5) With reference to IEC 62321-6:2015, determination of PBBs and PBDEs by GC-MS.
- (6) With reference to IEC 62321-8:2017, determination of Phthalates by GC-MS.

JOE No : 1951600240

Control No 1051500738

This document is issued by the Company subject to its General Conditions of Service printed overleaf, available on request or accessible at <http://www.sgs.com/terms> and, for electronic format documents, subject to Terms and Conditions for Electronic Documents at www.sgs.com/terms_e-document.htm. Attention is drawn to the limitation of liability, indemnification and jurisdiction issues defined therein. Any holder of this document is advised that information contained hereon reflects the Company's findings at the time of its intervention only and within the limits of Client's instructions, if any. The Company's sole responsibility is to its Client and this document does not exonerate parties to a transaction from exercising all their rights and obligations under the transaction documents. This document cannot be reproduced except in full, without prior written approval of the Company. Any unauthorized alteration, forgery or falsification of the content or appearance of this document is unlawful and offenders may be prosecuted to the fullest extent of the law." Unless otherwise stated the results shown in this test report refer only to the sample(s) tested and such sample(s) are retained for 30 days only.

TEST REPORT

Report No. : BG:EE:1051000958

DATE : 30/04/2019



Test result:

Test Item(s):	Unit	Results	MDL	Limit
		Sample -1		
Cadmium(Cd)	mg/kg	n.d.	5	100
Lead (Pb)	mg/kg	n.d.	5	1000
Mercury (Hg)	mg/kg	n.d.	5	1000
Hexavalent Chromium (CrVI)	mg/kg	n.d.	8	1000
Sum of PBBs	mg/kg	n.d.	-	1000
Monobromobiphenyl	mg/kg	n.d.	50	-
Dibromobiphenyl	mg/kg	n.d.	50	-
Tribromobiphenyl	mg/kg	n.d.	50	-
Tetrabromobiphenyl	mg/kg	n.d.	50	-
Hexabromobiphenyl	mg/kg	n.d.	50	-
Pentabromobiphenyl	mg/kg	n.d.	50	-
Heptabromobiphenyl	mg/kg	n.d.	50	-
Octabromobiphenyl	mg/kg	n.d.	50	-
Nonabromobiphenyl	mg/kg	n.d.	50	-
Decabromobiphenyl	mg/kg	n.d.	50	-
Sum of PBDEs	mg/kg	n.d.	-	1000
Monobromodiphenyl ether	mg/kg	n.d.	50	-
Dibromodiphenyl ether	mg/kg	n.d.	50	-
Tribromodiphenyl ether	mg/kg	n.d.	50	-
Tetrabromodiphenyl ether	mg/kg	n.d.	50	-
Pentabromodiphenyl ether	mg/kg	n.d.	50	-
Hexabromodiphenyl ether	mg/kg	n.d.	50	-
Heptabromodiphenyl ether	mg/kg	n.d.	50	-
Octabromodiphenyl ether	mg/kg	n.d.	50	-
Nonabromodiphenyl ether	mg/kg	n.d.	50	-
Decabromodiphenyl ether	mg/kg	n.d.	50	-
Dibutyl phthalate (DBP)	mg/kg	n.d.	100	1000
Butyl benzyl phthalate (BBP)	mg/kg	n.d.	100	1000
Bis (2-ethylhexyl) phthalate (DEHP)	mg/kg	n.d.	100	1000
Diisobutyl Phthalates (DIBP)	mg/kg	n.d.	100	1000

JOE No 1951800240

Control No 1051500738

This document is issued by the Company subject to its General Conditions of Service printed overleaf, available on request or accessible at <http://www.sgs.com/terms> and, for electronic format documents, subject to Terms and Conditions for Electronic Documents at www.sgs.com/terms_e-document.htm. Attention is drawn to the limitation of liability, indemnification and jurisdiction issues defined therein. Any holder of this document is advised that information contained hereon reflects the Company's findings at the time of its intervention only and within the limits of Client's instructions, if any. The Company's sole responsibility is to its Client and this document does not exonerate parties to a transaction from exercising all their rights and obligations under the transaction documents. This document cannot be reproduced except in full, without prior written approval of the Company. Any unauthorized alteration, forgery or falsification of the content or appearance of this document is unlawful and offenders may be prosecuted to the fullest extent of the law. Unless otherwise stated the results shown in this test report refer only to the sample(s) tested and such sample(s) are retained for 30 days only.



BHARTI AUTOMATION PVT. LTD. (A Testing Division)



Report No. **240321001** **TEST REPORT** Page 1 of 6
 ULR NO. : **TC72532400000240F** Issue Date: **01/04/2024**

Discipline:	Electrical Testing	Environmental Test Facility
Report Reference No.....	240321001	
Applicant's name.....	SUPA FLEX PVT LTD	
Address	83/6, Ground Floor, Udyog Nagar, Mundka New Delhi 110041	
Manufacture's Name	SUPA FLEX PVT LTD	
Address	83/6, Ground Floor, Udyog Nagar, Mundka New Delhi 110041	
Test item description:		
Product name	PVC WIRING DUCT	
Brand Name.....	SUPAFLEX	
Model and/or type reference	SFWDN, SFWDW, SFWDS	Serial Number.....: N/A
Test specification.....	UL 94: 2013 (edition 6) Tests for Flammability of Plastic Materials for Parts in Devices and Appliances	
Testing Laboratory information:		
Testing Laboratory Name	Bharti Automation Pvt. Ltd (A Testing Division)	
Address	Plot No-354, Sector-7, IMT Manesar, Gurgaon-122051	
Test Result.....	The test item passed / failed the test specification(s).	
Declaration of Conformity.....	Declaration of conformity of the results is based as per the standard limits	
Other Aspects:		
Condition of sample on Receipt: The test sample was visually inspected and found to be satisfactory.		
This report consists of 6 pages.		
PVC WIRING DUCT been tested as per UL 94: 2013 (edition 6) and complying to all parameters.		

Tested by:  Sajid (Test Engineer) Date: 01/04/2024	Reviewed by / Authorized Signatory:  Ashok Giri (Technical Manager) Date: 01/04/2024	Issued by:  Suraj Kumar (Customer Executive) Date: 01/04/2024
---	---	--

Format no. BA/TR/01 rev. no. 01, rev.date 10/06/2023





BHARTI AUTOMATION PVT. LTD. (A Testing Division)



Report No. 240321001

TEST REPORT

Page 2 of 6

ULR NO. : TC725324000000240F

Issue Date: 01/04/2024

General remarks:

- 1) The test results presented in this report relate only to the object tested. All information about the Test item is provided by customer in SRF.
- 2) Test report is not to be reproduced wholly or in part and should not be used in any advertising media without our special permission in writing.
- 3) All test shall be performed at laboratory premises (Plot no. 354, Sector -7, IMT Manesar, Gurgaon-122050)
- 4) The Tested samples shall be destroyed after 30 days from the date of Reporting unless specified otherwise in writing.
- 5) The Testing Standards/Instruments used are maintained in accordance with ISO/IEC 17025 and are traceable to National and International standards.
- 6) The decision rule will be applied based on Statement of Conformity requested by the Customer in SRF.
- 7) Laboratory is responsible for reported results only rest of the information is provided by customer & laboratory is not responsible for customer supplied information.
- 8) Test report shall not be utilized for any legal purpose and will not be produced in the Court of law and no responsibility would be attached to Lab.

Possible test case verdicts:

- Test case does not apply to the test object..... : N/A
- Test object does meet the requirement..... : P (Pass)
- Test object does not meet the requirement..... : F (Fail)

Testing

Date of receipt of test item 21/03/2024
 Date(s) of performance of tests 21/03/2024 to 29/03/2024
 Date of Issue..... 01/04/2024

Laboratory conditions

Ambient Temperature 25 ± 10°C
 Ambient Humidity..... 60 ± 15%RH





BHARTI AUTOMATION PVT. LTD. (A Testing Division)



Report No. 240321001

TEST REPORT

Page 3 of 6

ULR NO. : TC725324000000240F

Issue Date: 01/04/2024

INDEX		
S. NO	TESTS	PAGE NO.
1	COVERING PAGE	1-2
2	INDEX	3-3
3	PHOTOS	4-4
4	OBSERVATION/RESULTS	5-6

BHARTI





BHARTI AUTOMATION PVT. LTD. (A Testing Division)

Bharti
artificial intelligence

Report No. 240321001

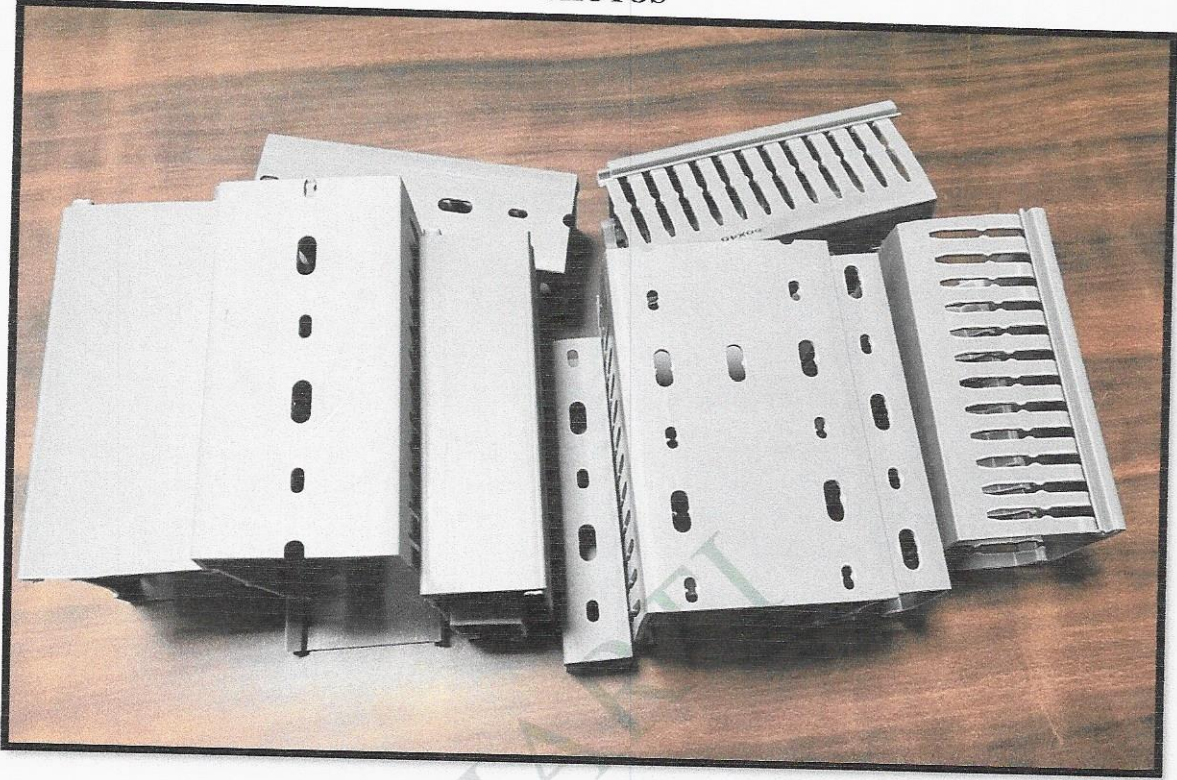
TEST REPORT

Page 4 of 6

ULR NO. : TC725324000000240F

Issue Date: 01/04/2024

PHOTOS



Sample as Received





BHARTI AUTOMATION PVT. LTD. (A Testing Division)



Report No. 240321001

TEST REPORT

Page 5 of 6

ULR NO. : TC72532400000240F

Issue Date: 01/04/2024

Vertical Burning Test (V0)

Test condition:

- a) Burner angle : 45°
- b) Burner internal dia. : 9.5 mm
- c) Flame application duration: 2 x 10Sec

Conditioning of test samples:

- a) Temperature : 25 ± 2 °C
- b) Relative Humidity: 50 ± 10 %
- c) Duration : 48 hrs.
- d) No of Samples :5

The specimen was supported vertically at one end and the free end exposed to a gas flame for 10 seconds. After removal of the flame, the specimen was observed for time and extent of burning.

Sample No	1	2	3	4	5	REQUIREMENT
Observation: Flame Extinguished time after removal of 1st flame :(s)	4	3	3	4	2	10 (Max)
Flame Extinguished time after 2nd flame removal:(s)	4	4	5	6	5	30(Max)
After Flame or Glowing	No Flame or Glowing	No Flame or Glowing	No Flame or Glowing	No Flame or Glowing	No Flame or Glowing	Sample should not burn the holding clamp after the fame or glowing
Dripping of burning specimens	No ignition	No ignition	No ignition	No ignition	No ignition	Should not ignite the cotton
Total flame time for 1 st and 2 nd Flame removal:(s)	40					50(max)





BHARTI AUTOMATION PVT. LTD. (A Testing Division)



Report No. 240321001

TEST REPORT

Page 6 of 6

ULR NO. : TC72532400000240F

Issue Date: 01/04/2024

Test Condition:

- a) Temperature: 70°C
- b) Test Duration: 7 days
- c) No of sample: 5

After conditioning Flammability test was performed

Sample No	6	7	8	9	10	REQUIREMENT
Observation: Flame Extinguished time after removal of 1st flame :(s)	4	4	3	4	3	10 (Max)
Flame Extinguished time after 2nd flame removal:(s)	7	5	7	4	6	30(Max)
After Flame or Glowing	No Flame or Glowing	No Flame or Glowing	No Flame or Glowing	No Flame or Glowing	No Flame or Glowing	Sample should not burn the holding clamp after the fame or glowing
Dripping of burning specimens	No ignition	No ignition	No ignition	No ignition	No ignition	Should not ignite the cotton
Total flame time for 1 st and 2 nd Flame removal:(s)	47					50(max)

Remark: Sample meets the requirements as per UL 94: 2013 (V0)

*****End of The Test Report*****

