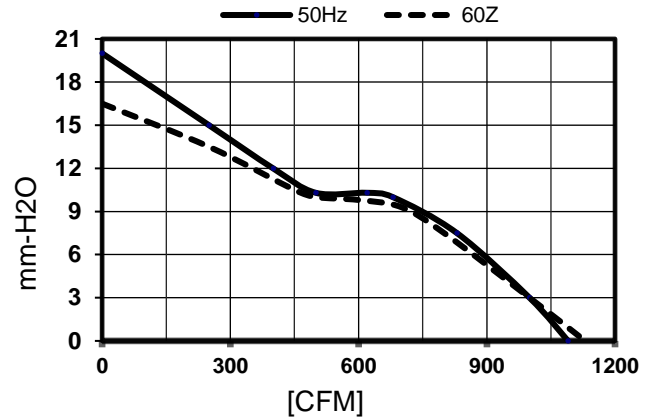


## AC Compact Fans – 280A Metal

## 280 x 280 x 80 mm

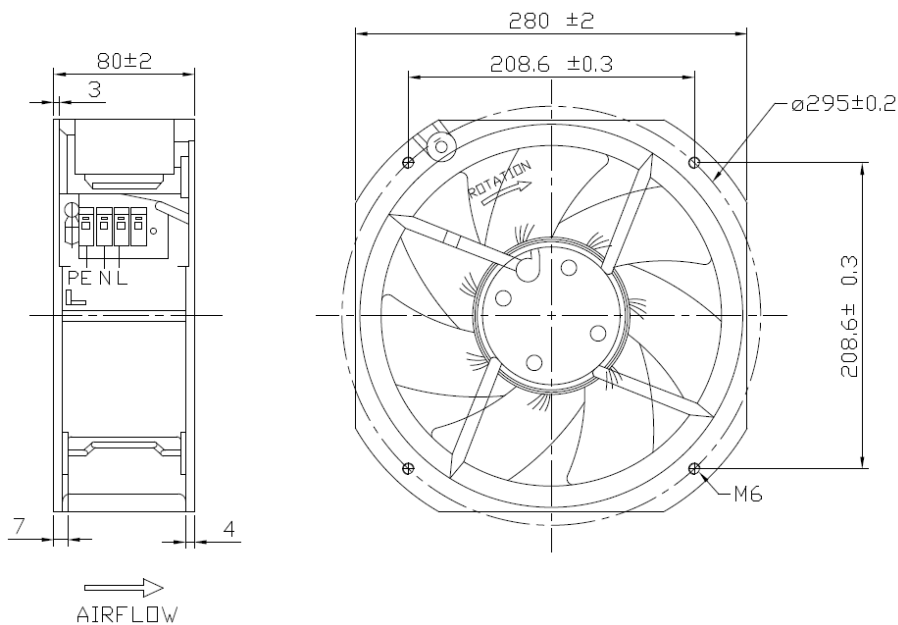


**Bearing System** : Ball Bearing  
**Blade** : Sheet steel, Coated in black  
**Motor** : External Rotor Capacitor Motor  
**Housing** : Die Cast Aluminium  
**Motor Protection** : Thermal Protected

**Dielectric Strength** : 1500 V AC 1 minute  
**Insulation Class** : Class F  
**Operating Temperature** : -20°C to +70°C  
**Product Life** : 40,000 hrs. (At 40°C)  
**Ingress Protection (IP)** : 44

Model	Voltage	Frequency	Current	Speed	Watt	Air Flow	Static Pressure	Noise
	V AC	Hz	mA	RPM	W	CFM	mm H <sub>2</sub> O	dBA
280A230HBAC-M	230	50/60	590/820	2500/2700	119/130	1090/1130	16.5/20	68/70

Drawing:-



Note:-  
As Part of a green initiative, Hicool is constantly working to reduce power consumption without altering fan motor Performance. Actual Current & Wattage readings Can be lower than mentioned in datasheet & fan name plate.