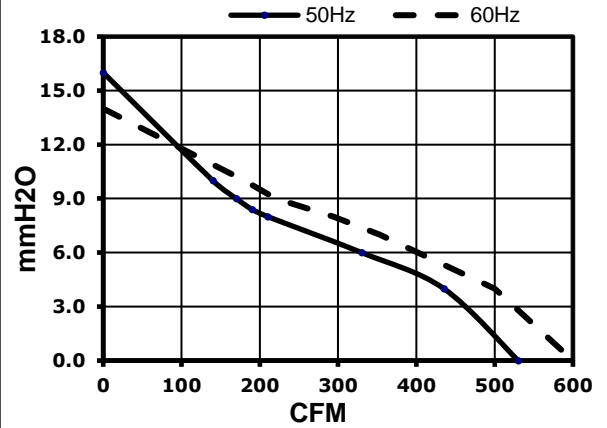


AC Compact Fans – 225A Metal

225 x 225 x 80 mm

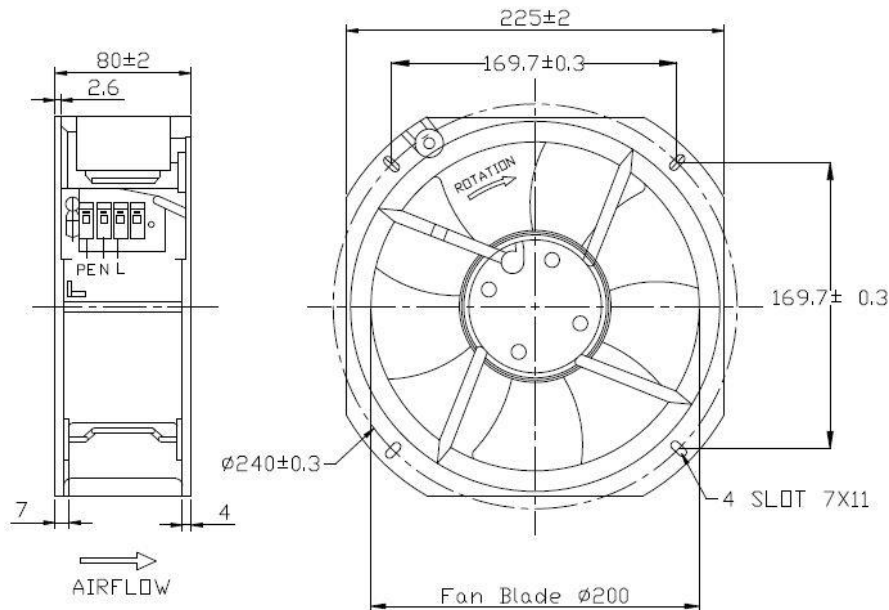


Bearing System : Ball Bearing
Blade : Sheet steel, Coated in black
Motor : External Rotor Capacitor Motor
Housing : Die Cast Aluminium
Motor Protection : Thermal Protected

Dielectric Strength : 1500 V AC 1 minute
Insulation Class : Class F
Operating Temperature: -20°C to +70°C
Product Life : 40,000 hrs. (At 40°C)
Ingress Protection (IP) : 44

Model	Voltage	Frequency	Current	Speed	Watt	Air Flow	Static Pressure	Noise
	V AC	Hz	mA	RPM	W	CFM	mm H ₂ O	dBA
225A115HBAC-M	115	50/60	600/650	2500/2800	65/70	530/600	17/14	59/61
225A230HBAC-M	230	50/60	300/325	2500/2800	65/70	530/600	17/14	59/61
225A415HBAC-M	415	50/60	220/250	2500/2800	65/70	530/600	17/14	59/61

Drawing:-



Note:-
 As Part of a green initiative, Hicool is constantly working to reduce power consumption without altering fan motor Performance. Actual Current & Wattage readings can be lower than mentioned in datasheet & fan name plate.