

TECHNICAL DATA SHEET

Division:
Lighting

Department: Design
and Development

Document Number: TD0907460

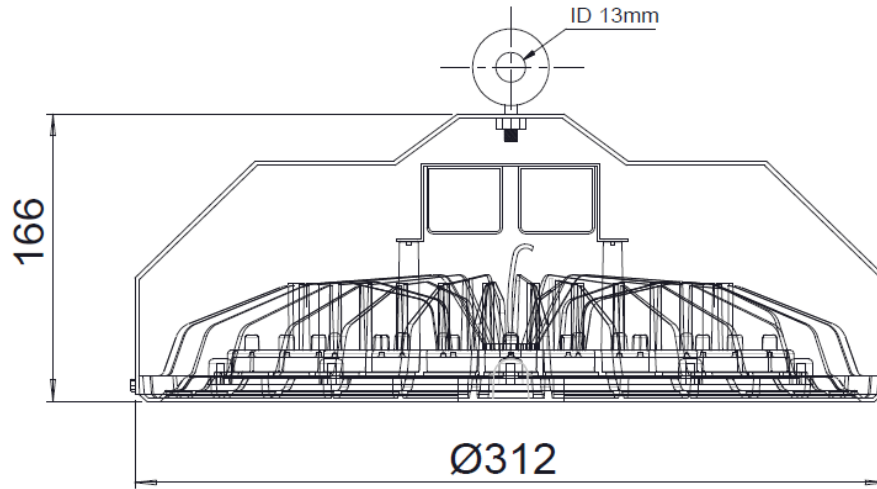
Page 1 of 3

Revision:

Issue No. 1

Date: 19/11/2025

Issue Date:02-05-2018



DIMENSIONS SHOWN ARE FOR INSTALLATION REFERENCES ONLY AND WILL HAVE TOLERANCE $\pm 3\text{mm}$ UNLESS OTHERWISE SPECIFIED

GENERAL:

This integral LED Highbay luminaire comprises of heat sink, IP Lens with accessories. This is recommended to be used in engineering industries where mounting height is above 6.0 meter.

PRODUCT DESCRIPTION	**NOMINAL WATTAGE (W)	CCT (K)	CRI	VOLTAGE (V)	**MAINS CURRENT (A)	*APPROX WT (KG) $\pm 10\%$
EIP-346-150-857-60D-HL3-LM-NTG	150	5700 ANSI	80 min	240	0.72	3.03
EIP-346-150-857-90D-HL3-LM-NTG	150	5700 ANSI	80 min	240	0.72	3.03
Efficacy - 130LPW***						

*only for structural/mounting design consideration

**rated system wattage and current will have tolerance as per is 16104: 2012.

***as per the IS 16107 part 2- sec1 clause no. 8.3, measured luminaire efficacy shall not be less than 90% of rated value.

TITLE: Highbay Light	TYPE: Industrial Lighting	CUSTOMER REFERENCE:	STAMP:
PREPARED BY yogesh.dhoran	CHECKED BY	APPROVED BY	

Note: 1 AS EFFORTS ARE ON CONSTANTLY TO IMPROVE THE DESIGN AND METHODS OF MANUFACTURE OF THE PRODUCT, THE PRODUCT SUPPLIED MAY DIFFER IN DETAIL FROM THE DATA GIVEN HERE IN
 2. THIS DRAWING & DESIGN IS THE PROPERTY OF CROMPTON GREAVES CONSUMER ELECTRICALS LTD. AND MUST NOT BE COPIED OR LENT WITHOUT THEIR PERMISSION IN WRITING
 3. THE "APPROVED" INDICATED THAT IT IS A CONTROL COPY
 4. DIMENSION SHOWN ARE FOR INSTALLATION REFERENCE ONLY AND IN MM WITH TOLERANCE OF $\pm 3\text{mm}$ UNLESS OTHERWISE SPECIFIED



Crompton Greaves Consumer
Electricals Ltd.

TECHNICAL DATA SHEET

FORM No. DSG/FR/08

Doc Classification:
Restricted-4

Division:
Lighting

Department: Design
and Development

Document Number: TD0907460

Revision:

Date: 19/11/2025

Page 2 of 3

Issue No. 1

Issue Date:02-05-2018

MATERIAL SPECIFICATIONS:

Housing	Pressure die cast Aluminum powder coated in RAL-7046
Cover	IP-Lens
Internal Wiring	PVC coated multistrand copper wire
Cable	3 Core PVC coated multistrand copper conductor cable
Earthing	1 No. suitable for 14SWG earthing wire
Mains Terminal	5 way 10 amps suitable for terminating max.2.5 sq mm incoming cable
Surge Arrestor	5KV inbuilt in driver.

ELECTRICAL PARAMETERS:

Rated Voltage (V)	240
Frequency (Hz)	50 ± 3%
Operating Voltage Range (V)	120-270V
Current (A) @ 240V	0.72
Wattage (W) @240V	150
P.F.	> 0.95
I THD	<10
Rated Voltage (V)	240

TITLE: Highbay Light	TYPE: Industrial Lighting	CUSTOMER REFERENCE:	STAMP:
PREPARED BY yogesh.dhoran	CHECKED BY	APPROVED BY	

Note: 1 AS EFFORTS ARE ON CONSTANTLY TO IMPROVE THE DESIGN AND METHODS OF MANUFACTURE OF THE PRODUCT, THE PRODUCT SUPPLIED MAY DIFFER IN DETAIL FROM THE DATA GIVEN HERE IN
 2. THIS DRAWING & DESIGN IS THE PROPERTY OF CROMPTON GREAVES CONSUMER ELECTRICALS LTD. AND MUST NOT BE COPIED OR LENT WITHOUT THEIR PERMISSION IN WRITING
 3.THE "APPROVED" INDICATED THAT IT IS A CONTROL COPY
 4. DIMENSION SHOWN ARE FOR INSTALLATION REFERENCE ONLY AND IN MM WITH TOLERANCE OF +/-3mm UNLESS OTHERWISE SPECIFIED



Crompton Greaves Consumer
Electricals Ltd.

TECHNICAL DATA SHEET

FORM No. DSG/FR/08

Doc Classification:
Restricted-4

Division:
Lighting

Department: Design
and Development

Document Number: TD0907460

Revision:

Date: 19/11/2025

Page 3 of 3

Issue No. 1

Issue Date:02-05-2018

INSTALLATION:

Mounting System	EYE bolt provided for mounting purpose
Maintenance	Driver can be replaced for maintenance
Protection	IP 66

PRODUCT ORDERING CODE:

Product Description	Ordering Code
EIP-346-150-857-60D-HL3-LM-NTG	ELI302001-E7
EIP-346-150-857-90D-HL3-LM-NTG	ELI302002-E7

SPARES ORDERING REFERENCE:

Product Description	Driver	Surge Arrester		
EIP-346-150-857-60D-HL3-LM-NTG	2 Nos 75W @ 700mA	-		
EIP-346-150-857-90D-HL3-LM-NTG	2 Nos 75W @ 700mA	-		

TITLE: Highbay Light	TYPE: Industrial Lighting	CUSTOMER REFERENCE:	STAMP: -
PREPARED BY yogesh.dhoran	CHECKED BY	APPROVED BY	

Note: 1 AS EFFORTS ARE ON CONSTANTLY TO IMPROVE THE DESIGN AND METHODS OF MANUFACTURE OF THE PRODUCT, THE PRODUCT SUPPLIED MAY DIFFER IN DETAIL FROM THE DATA GIVEN HERE IN
 2. THIS DRAWING & DESIGN IS THE PROPERTY OF CROMPTON GREAVES CONSUMER ELECTRICALS LTD. AND MUST NOT BE COPIED OR LENT WITHOUT THEIR PERMISSION IN WRITING
 3.THE "APPROVED" INDICATED THAT IT IS A CONTROL COPY
 4. DIMENSION SHOWN ARE FOR INSTALLATION REFERENCE ONLY AND IN MM WITH TOLERANCE OF +/-3mm UNLESS OTHERWISE SPECIFIED