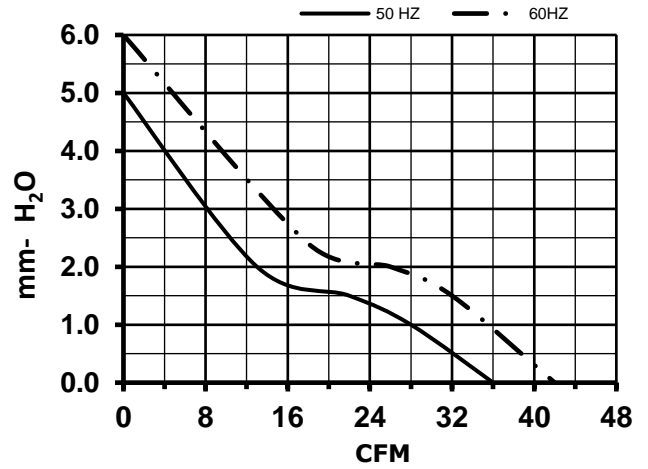


AC Compact Fans – 9A

92 x 92 x 25 mm

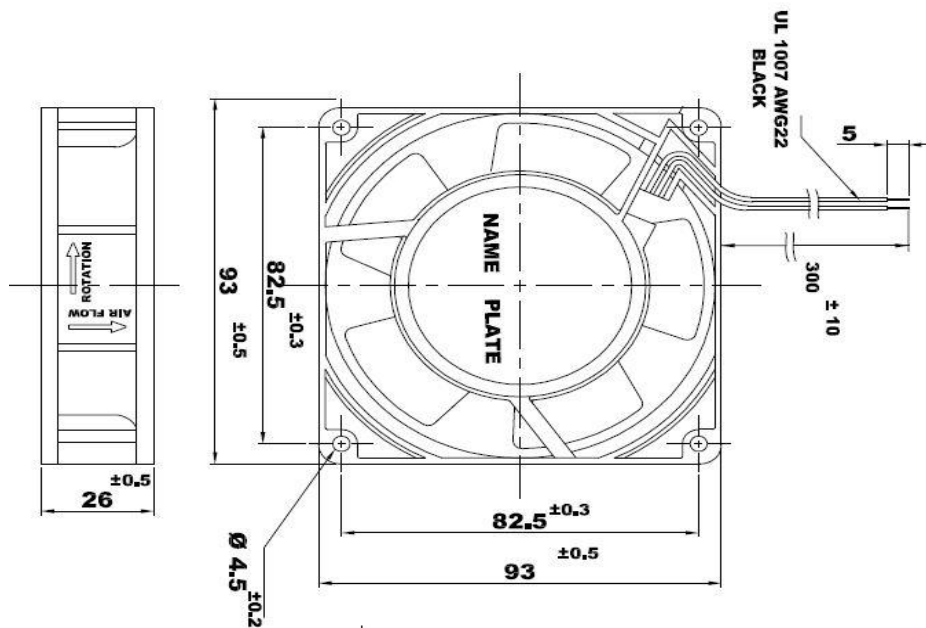


Bearing System : Ball
Blade : Glass Reinforced Polycarbonate
Motor : Self-starting Shaded-pole Motor
Housing : Die Cast Aluminium
Motor Protection : Impedance Protected

Dielectric Strength : 1.5K V AC for 1 min
Insulation Class :UL Class A
Operating Temperature: -10°C ~ +70°C
Product Life : 70,000 hours at 40°C

Model	Voltage	Frequency	Current	Speed	Watt	Air Flow	Static Pressure	Noise	Approvals
	V AC	Hz	mA	RPM	W	CFM	mm H ₂ O	dBA	
9A115HBAC-L	115	50/60	210/180	2300/2800	14/12	36/42	5/6	36/38	UL,CE
9A230HBAC-L	230	50/60	70/60	2300/2800	14/12	36/42	5/6	36/38	UL,CE

Drawing:-



Note:-
As Part of a green initiative. Hicool is constantly working to reduce power consumption without altering fan motor Performance. Actual Current & Wattage readings Can be lower than mentioned in datasheet & fan name plate.