



makewellTM
TECHNOLOGY
Industrial Plug & Sockets

Exquisite workmanship / High Quality Material
Intimate Design / Wearable And Durable

“WE MAKE
ONLY
**FINE
STUFF**”



Made in India

makewelltech.com



The company manufacturing advanced technology and devices, conform with requirement of ISO9001 international quality system, have passed CCC certification, CE certification, ROHS - appliance, employ senior technical talents and enterprise management talents, have possessed first-rank processing technology gradually. The company specialize in producing industrial plug, socket, coupler, nylon tape and so on, follow IEC60309, EN60309, CEE17 international standard and the structure is reasonable.

The product is applied for kinds of industrial and mining enterprises such as steel smelting, petrochemical industry, electric power, electron, railway, construction, airport, mine, stope, water supply and drain processing factory, port, store, hotel and so on, and it is also for mating and maintenance fittings of device power and connectors imported from abroad, so it is a new generation ideal power supply unit. The products are sold to over 20 provinces, municipalities and autonomous regions in our country, and southeast Asia, European, Americal and so on areas as well, they are quite enjoyed by clients.

The company always insist on the tenet that " quality to seek for living ,credit to find development" in orderto improve and develop continuously, produce exceptional product, give the excellent service, extend the global market relying on " Makewell[®]" brand products.



SOPHISTICATED PRODUCTION EQUIPMENT

Advanced automated production equipment, pipeline, well-primed a full first-class quality. Technical experts directly involved in production to ensure product stability and reliability foolproof.

Always insist on better quality products provide users with as a criterion, better service purposes, Wiling to work with the new and old customers to maintain long-term friendly relations of cooperation, mutual benefit and common development.



Mature technology and
reliable product quality to
service customers



Meet user demand, to provide high-quality products in accordance with standards and user requirements, the company of raw materials into the factory tracking detection, to ensure that technical index and performance of every parts and components meet the design requirements. Strengthening production process control, strictly enforce process files, to ensure the consistency of product electrical performance and mechanical performance. Strictly implement storage products final inspection procedure and execute one ticket is overruled make, time to ensure the quality of products.



HONOR CERTIFICATE

Qualification Proves The Elaborate Manufacturing

"Quality is the life of the enterprise" The company carries forward the enterprise culture and implements quality guarantee system internally, and transmits enterprise spirit and establishes brand conception externally. To ensure product quality ,our company has been equipped with first class production and inspection equipment. We will produce high quality ultimate products that are in accordance with international standards by adopting world advanced production equipment, brand new industrial conception and powerful technical strength.



WIDE APPLICATION



- Provide different series products for different environment
- Resistance to severe weather and ageing
- Good space stability and accuracy
- Good resistance to acid and alkali
- Effectively prevent power outages and leakage





INSERTION AND EXTRACTION FORCE TEST

At product design, first we define a logical temperature rise range, and then we do best to make the product with a best insertion and extraction handle within the range.

The purpose of insertion and extraction test is to convert emotional handle into rational data for the use in product design, improvement, evaluation and delivery inspection.



SAND AND DUST TEST

We produce products available for use around the world, so one of problems taken into account is the operational environment for the product, so as to evaluate the product adaptability of storage, transport or storage, transport or operation when it's exposed to atmosphere with dry sand or dust.

Sand and dust test adopts simulated sand and dust environment to test the dust resistance of the product and to confirm whether the product can be used for long in various hostile natural environment.



RAIN TEST

As is well-known, the product in working condition or in storage condition, tends to be affected by various kinds of liquid more or less. The osmosis, flow, impact or accumulation of the liquid may have a variety of effect on the product material and performance, and even may destroy its structure. Therefore, the affect from liquid can not be ignored.

The purpose of rainfall test is to confirm the reverse osmose capacity of the housing and its operation stability and reliability when or after the equipment undergoes liquid erosion.



HIGH AND LOW TEMPERATURE TEST

Present in the Earth's surface and atmosphere, space and variety of natural environmental factors induced by environmental factors, many of them larger factors on the use of electrical products and life no less than a dozen. Effect of temperature on the product is the most obvious.

At low temperature, high temperature conditions, and other relevant physical characteristics of the product environment simulation test, after the test, by testing to determine the performance of the product, is still able to meet predetermined requirements.



PRESSURE TEST

We designed and developed products, mainly to meet the long-term work in the exposed environment. So that the product has better, better compression capacity. Our test in order to facilitate the real environment in the test, to enrich the performance of product design and development.

FEATURE

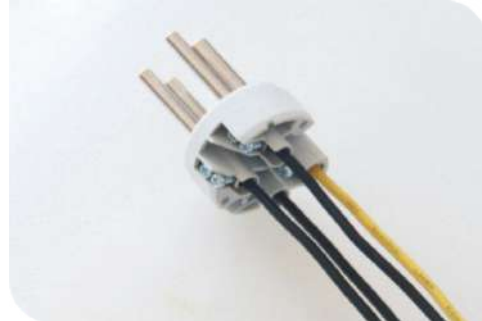
FEATURE OF PLUG AND SOCKET

STANDARD CONNECTOR



Connector with double screw type terminals, the cable wire stripping placed below the terminal, tighten the bolts first one, good pretension, then release the cable conductors, free tightened. Such a standard design, assembly is simple, simple, safe, and durable.

STANDARD PLUG



Depending on the polarity of the connecting cable, customers can freely choose the cable wiring, you can not import the cable core wire nuts, you can use the cable core wire nuts imported. Selective and flexible, there is no security risk. Plug design economical and practical, to meet customer's operational requirements.



- Socket terminal housing high-temperature resistant
- The diameter of cable for 63A is 36.5mm, 125A is 50mm
- The terminal of 125A are torsion terminal
- Can be inserted with big diameter cable
- Without cable wiring cap
- Contact pressure equalization
- Excellent conductive properties




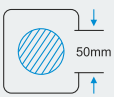

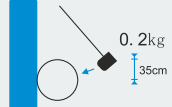
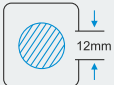
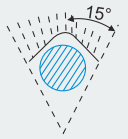
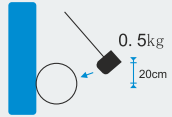
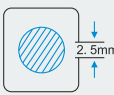
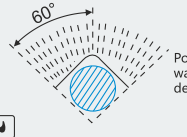
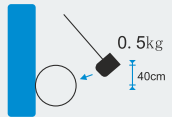
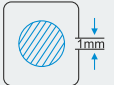

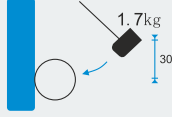
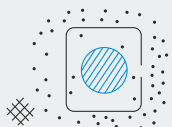

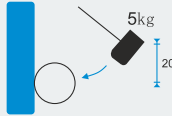
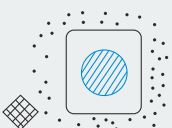
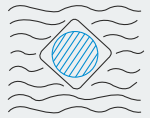
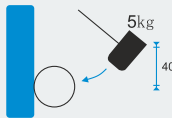
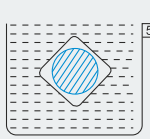
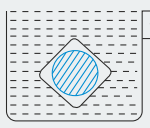


- 16A, 32A, 63A Connector use soft contact technology
- Superior insertion and retention performance
- Superior mechanical properties and electrical properties


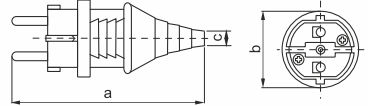

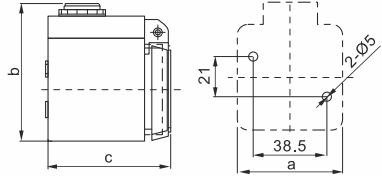

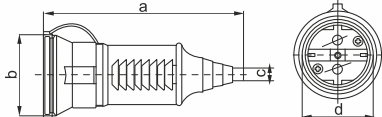

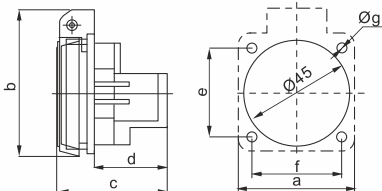



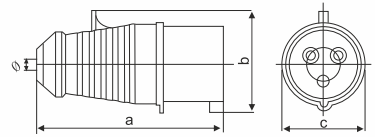
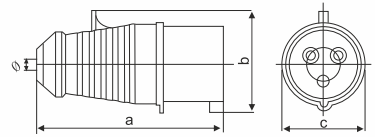
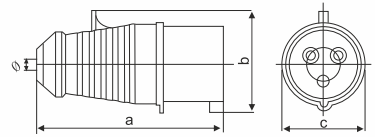

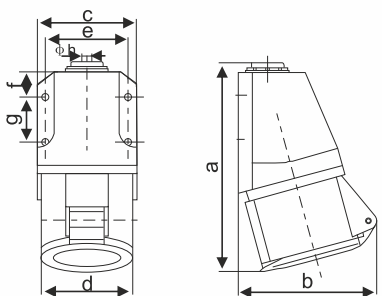
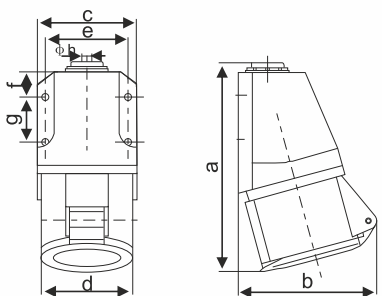
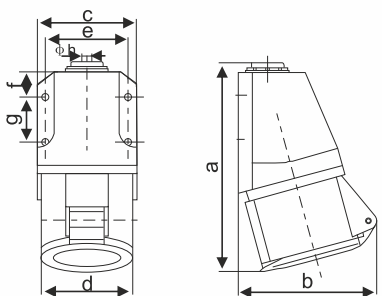

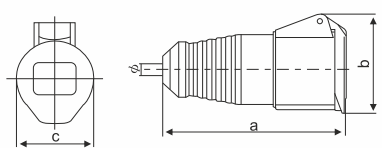
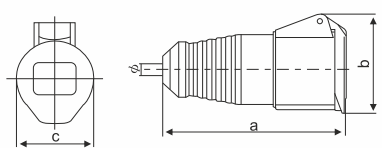
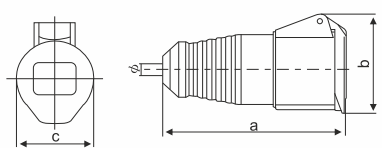

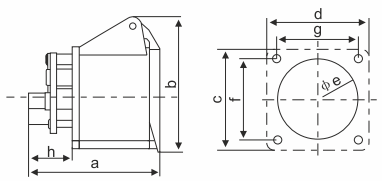
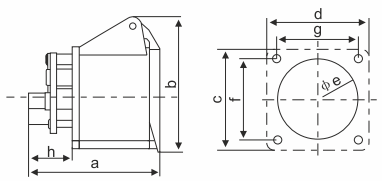
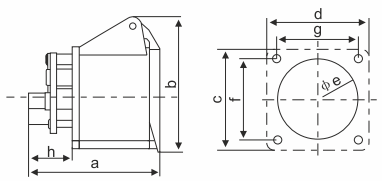
- Excellent contact, loosen the tail bolts to install easily

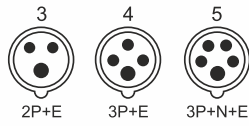
PARAMETER PROTECTION RATINGS

Protection Against Solids			Protection Against Liquids			Protection Against Impact		
IP		Testing No Protection	IP		Testing No Protection	IK		Testing No Protection
1		Protected against solid objects equal to or greater than 50mm diameter. (eg. accidental contact with hand)	1		Protected against drops of water falling vertically	1		Impact of 0.7J
2		Protected against solid objects equal to or greater than 12mm diameter. (eg. contact with finger)	2		Protected against drops of water falling at up to 15 degree from the vertical	2		Impact of 1J
3		Protected against solid objects equal to or greater than 2.5mm diameter. (eg. tools and wires)	3		Protected against spraying water falling at up to 60 degree from the vertical	3		Impact of 2J
4		Protected against solid objects equal to or greater than 1mm diameter. (eg. wires)	4		Protected against splashing water from all directions.	4		Impact of 5J
5		Protected against quantities of dust	5		Protected against jets of water from all directions.	5		Impact of 10J
6		Completely protected against dust.	6		Protected against jets of water of similar force to heavy seas.	6		Impact of 20J
			7		Protected against the effects of immersion at 5cm below surface of water			
			8		Protected against the effects of continuous immersion.			
								According to the 100th part of VDE0470 "The protection degree of external operation of electrical equipment to the external mechanical damage (IK code)" IK code represent the protection degree of the shell against mechanical impact. IK code: Impact energy/joules

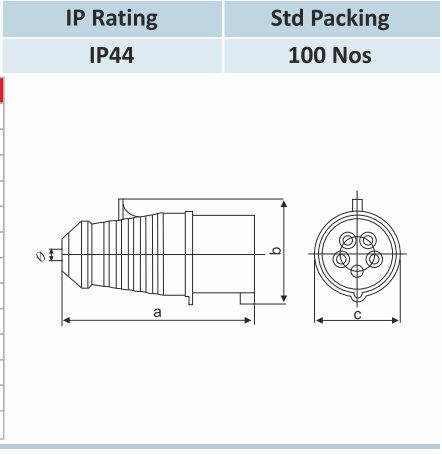


01  <p style="text-align: center;">MW-012 16A/2 Pin Plug</p>	Voltage(V)	IP Rating	Std Packing	
	220-250V~2P+E	IP54	200 Nos	
	earth contact position	6h		
	rated current (A)	3		
		pole		
	dimension (mm)	a		
		b		
		c		
cable nominal cross-section area (mm ²)	1-2.5			
02  <p style="text-align: center;">MW-112 16A/2 Pin Wall Socket</p>	Voltage(V)	IP Rating	Std Packing	
	220-250V~2P+E	IP54	200 Nos	
	earth contact position	6h		
	rated current (A)	3		
		pole		
	dimension (mm)	a		
		b		
		c		
cable nominal cross-section area (mm ²)	1-2.5			
03  <p style="text-align: center;">MW-212 16A/2 Pin Connector</p>	Voltage(V)	IP Rating	Std Packing	
	220-250V~2P+E	IP54	200 Nos	
	earth contact position	6h		
	rated current (A)	3		
		pole		
	dimension (mm)	a		
		b		
		c		
		d		
cable nominal cross-section area (mm ²)	1-2.5			
04  <p style="text-align: center;">MW-312 16A/2 Pin Panel Socket</p>	Voltage(V)	IP Rating	Std Packing	
	220-250V~2P+E	IP54	200 Nos	
	earth contact position	6h		
	rated current (A)	3		
		pole		
	dimension (mm)	a		
		b		
		c		
		d		
		e		
	f			
	g			
cable nominal cross-section area (mm ²)	1-2.5			

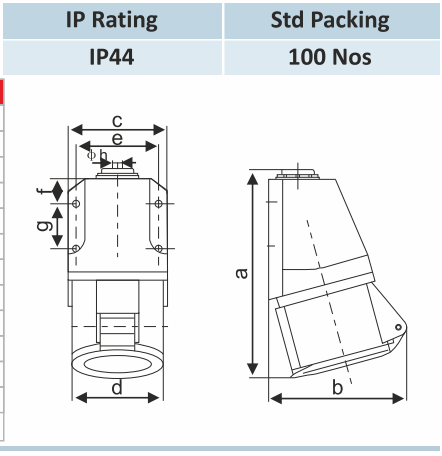
05  MW-013 16A/3 Pin Plug	<table border="1"> <thead> <tr> <th colspan="2">Voltage(V)</th> <th>IP Rating</th> <th>Std Packing</th> </tr> </thead> <tbody> <tr> <td colspan="2">220-240V~2P+E</td> <td>IP44</td> <td>100 Nos</td> </tr> <tr> <td>earth contact position</td> <td>6h</td> <td rowspan="10">  </td> <td rowspan="10"></td> </tr> <tr> <td>rated current (A)</td> <td>16</td> </tr> <tr> <td></td> <td>pole</td> <td>3</td> </tr> <tr> <td rowspan="4">dimension (mm)</td> <td>a</td> <td>122</td> </tr> <tr> <td>b</td> <td>59</td> </tr> <tr> <td>c</td> <td>51</td> </tr> <tr> <td>∅</td> <td>6</td> </tr> <tr> <td colspan="2">cable nominal cross-section area (mm²)</td> <td>1-2.5</td> </tr> </tbody> </table>	Voltage(V)		IP Rating	Std Packing	220-240V~2P+E		IP44	100 Nos	earth contact position	6h			rated current (A)	16		pole	3	dimension (mm)	a	122	b	59	c	51	∅	6	cable nominal cross-section area (mm ²)		1-2.5										
	Voltage(V)		IP Rating	Std Packing																																				
	220-240V~2P+E		IP44	100 Nos																																				
	earth contact position	6h																																						
	rated current (A)	16																																						
		pole			3																																			
	dimension (mm)	a			122																																			
		b			59																																			
		c			51																																			
		∅			6																																			
cable nominal cross-section area (mm ²)		1-2.5																																						
06  MW-113 16A/3 Pin Wall Socket	<table border="1"> <thead> <tr> <th colspan="2">Voltage(V)</th> <th>IP Rating</th> <th>Std Packing</th> </tr> </thead> <tbody> <tr> <td colspan="2">220-240V~2P+E</td> <td>IP44</td> <td>100 Nos</td> </tr> <tr> <td>earth contact position</td> <td>6h</td> <td rowspan="10">  </td> <td rowspan="10"></td> </tr> <tr> <td>rated current (A)</td> <td>16</td> </tr> <tr> <td></td> <td>pole</td> <td>3</td> </tr> <tr> <td rowspan="8">dimension (mm)</td> <td>a</td> <td>135</td> </tr> <tr> <td>b</td> <td>92</td> </tr> <tr> <td>c</td> <td>71</td> </tr> <tr> <td>d</td> <td>50</td> </tr> <tr> <td>e</td> <td>57</td> </tr> <tr> <td>f</td> <td>20</td> </tr> <tr> <td>g</td> <td>32.5</td> </tr> <tr> <td>h</td> <td>6.5</td> </tr> <tr> <td colspan="2">cable nominal cross-section area (mm²)</td> <td>1-2.5</td> </tr> </tbody> </table>	Voltage(V)			IP Rating	Std Packing	220-240V~2P+E		IP44	100 Nos	earth contact position	6h			rated current (A)	16		pole	3	dimension (mm)	a	135	b	92	c	71	d	50	e	57	f	20	g	32.5	h	6.5	cable nominal cross-section area (mm ²)		1-2.5	
	Voltage(V)				IP Rating	Std Packing																																		
	220-240V~2P+E		IP44	100 Nos																																				
	earth contact position	6h																																						
	rated current (A)	16																																						
		pole			3																																			
	dimension (mm)	a			135																																			
		b			92																																			
		c			71																																			
		d			50																																			
e		57																																						
f		20																																						
g		32.5																																						
h		6.5																																						
cable nominal cross-section area (mm ²)		1-2.5																																						
07  MW-213 16A/3 Pin Connector	<table border="1"> <thead> <tr> <th colspan="2">Voltage(V)</th> <th>IP Rating</th> <th>Std Packing</th> </tr> </thead> <tbody> <tr> <td colspan="2">220-240V~2P+E</td> <td>IP44</td> <td>100 Nos</td> </tr> <tr> <td>earth contact position</td> <td>6h</td> <td rowspan="10">  </td> <td rowspan="10"></td> </tr> <tr> <td>rated current (A)</td> <td>16</td> </tr> <tr> <td></td> <td>pole</td> <td>3</td> </tr> <tr> <td rowspan="4">dimension (mm)</td> <td>a</td> <td>131</td> </tr> <tr> <td>b</td> <td>68</td> </tr> <tr> <td>c</td> <td>50</td> </tr> <tr> <td>∅</td> <td>6</td> </tr> <tr> <td colspan="2">cable nominal cross-section area (mm²)</td> <td>1-2.5</td> </tr> </tbody> </table>	Voltage(V)		IP Rating	Std Packing	220-240V~2P+E		IP44	100 Nos	earth contact position	6h			rated current (A)	16		pole	3	dimension (mm)	a	131	b	68	c	50	∅	6	cable nominal cross-section area (mm ²)		1-2.5										
	Voltage(V)		IP Rating	Std Packing																																				
	220-240V~2P+E		IP44	100 Nos																																				
	earth contact position	6h																																						
	rated current (A)	16																																						
		pole			3																																			
	dimension (mm)	a			131																																			
		b			68																																			
		c			50																																			
		∅			6																																			
cable nominal cross-section area (mm ²)		1-2.5																																						
08  MW-313 16A/3 Pin Panel Socket	<table border="1"> <thead> <tr> <th colspan="2">Voltage(V)</th> <th>IP Rating</th> <th>Std Packing</th> </tr> </thead> <tbody> <tr> <td colspan="2">220-240V~2P+E</td> <td>IP44</td> <td>100 Nos</td> </tr> <tr> <td>earth contact position</td> <td>6h</td> <td rowspan="10">  </td> <td rowspan="10"></td> </tr> <tr> <td>rated current (A)</td> <td>16</td> </tr> <tr> <td></td> <td>pole</td> <td>3</td> </tr> <tr> <td rowspan="8">dimension (mm)</td> <td>a</td> <td>74</td> </tr> <tr> <td>b</td> <td>70</td> </tr> <tr> <td>c</td> <td>70</td> </tr> <tr> <td>d</td> <td>70</td> </tr> <tr> <td>e</td> <td>56</td> </tr> <tr> <td>f</td> <td>56.5</td> </tr> <tr> <td>g</td> <td>56.5</td> </tr> <tr> <td>h</td> <td>24</td> </tr> <tr> <td colspan="2">cable nominal cross-section area (mm²)</td> <td>1-2.5</td> </tr> </tbody> </table>	Voltage(V)			IP Rating	Std Packing	220-240V~2P+E		IP44	100 Nos	earth contact position	6h			rated current (A)	16		pole	3	dimension (mm)	a	74	b	70	c	70	d	70	e	56	f	56.5	g	56.5	h	24	cable nominal cross-section area (mm ²)		1-2.5	
	Voltage(V)				IP Rating	Std Packing																																		
	220-240V~2P+E		IP44	100 Nos																																				
	earth contact position	6h																																						
	rated current (A)	16																																						
		pole			3																																			
	dimension (mm)	a			74																																			
		b			70																																			
		c			70																																			
		d			70																																			
e		56																																						
f		56.5																																						
g		56.5																																						
h		24																																						
cable nominal cross-section area (mm ²)		1-2.5																																						



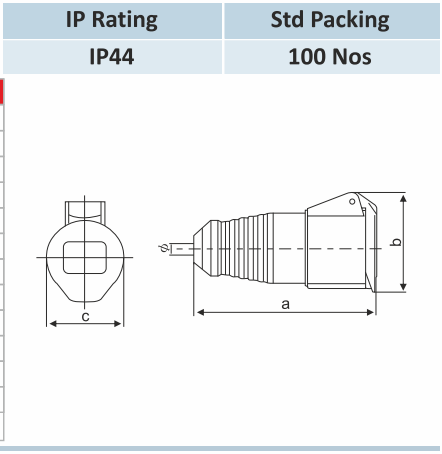
Voltage(V)	220-380V~ 3P+N+E 240-415V~ 3P+N+E	
earth contact position	6h	
rated current (A)	16	
	pole	5
dimension (mm)	a	130
	b	72
	c	64
	∅	8
cable nominal cross-section area (mm ²)		1-2.5



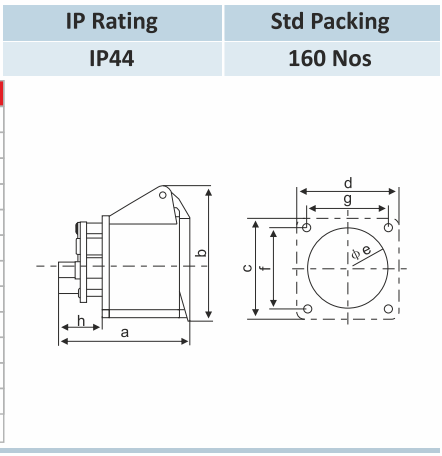
Voltage(V)	220-380V~ 3P+N+E 240-415V~ 3P+N+E	
earth contact position	6h	
rated current (A)	16	
	pole	5
dimension (mm)	a	139
	b	100
	c	71
	d	63
	e	57
	f	20
	g	32.5
	h	6.5
cable nominal cross-section area (mm ²)		1-2.5


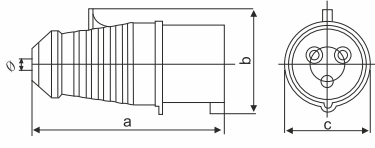

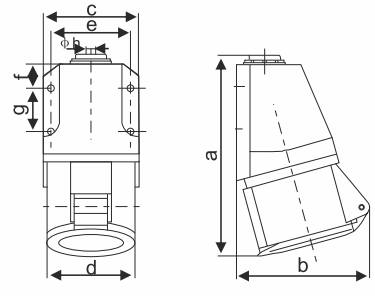

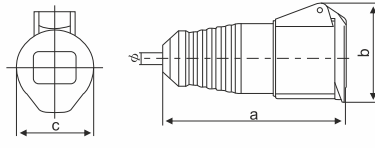

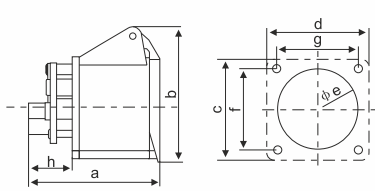


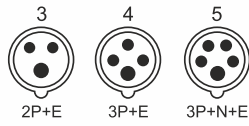
Voltage(V)	220-380V~ 3P+N+E 240-415V~ 3P+N+E	
earth contact position	6h	
rated current (A)	16	
	pole	5
dimension (mm)	a	139
	b	90
	c	63
	∅	8
cable nominal cross-section area (mm ²)		1-2.5



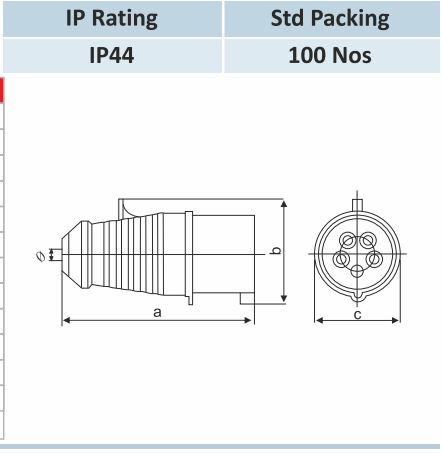
Voltage(V)	220-380V~ 3P+N+E 240-415V~ 3P+N+E	
earth contact position	6h	
rated current (A)	16	
	pole	5
dimension (mm)	a	76
	b	86
	c	70
	d	70
	e	56
	f	56.5
	g	56.5
	h	26
cable nominal cross-section area (mm ²)		1-2.5



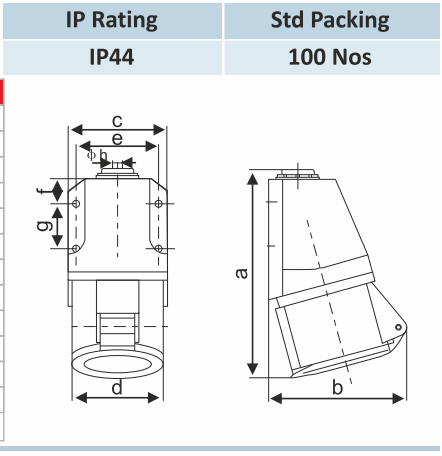
13  MW-023 16A/3 Pin Plug	Voltage(V)	IP Rating	Std Packing	
	220-240V~2P+E	IP44	100 Nos	
	earth contact position	6h		
	rated current (A)	32		
		pole		3
	dimension (mm)	a		139
		b		75
		c		64
		∅		8
cable nominal cross-section area (mm ²)	2.5-6			
14  MW-123 32A/3 Pin Wall Socket	Voltage(V)	IP Rating	Std Packing	
	220-240V~2P+E	IP44	100 Nos	
	earth contact position	6h		
	rated current (A)	32		
		pole		3
	dimension (mm)	a		153
		b		102
		c		71
		d		65
		e		57
	f	20		
	g	32.5		
	h	6.5		
cable nominal cross-section area (mm ²)	2.5-6			
15  MW-223 32A/3 Pin Connector	Voltage(V)	IP Rating	Std Packing	
	220-240V~2P+E	IP44	100 Nos	
	earth contact position	6h		
	rated current (A)	32		
		pole		3
	dimension (mm)	a		150
		b		92
		c		65
		∅		8
cable nominal cross-section area (mm ²)	2.5-6			
16  MW-323 32A/3 Pin Panel Socket	Voltage(V)	IP Rating	Std Packing	
	220-240V~2P+E	IP44	160 Nos	
	earth contact position	6h		
	rated current (A)	32		
		pole		3
	dimension (mm)	a		91
		b		88
		c		70
		d		70
		e		56
	f	56.5		
	g	56.5		
	h	29		
cable nominal cross-section area (mm ²)	2.5-6			



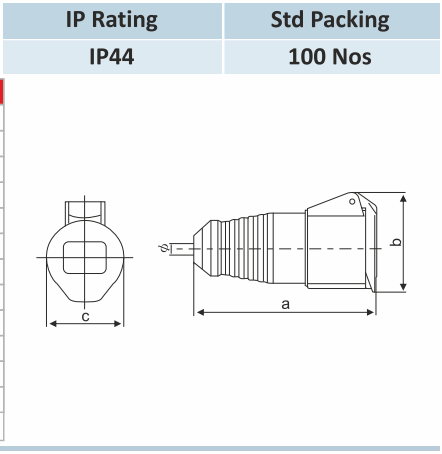
Voltage(V)		220-380V~ 240-415V~	3P+N+E
earth contact position		6h	
rated current (A)		32	
	pole	5	
dimension (mm)	a	143	
	b	84	
	c	70	
	Ø	8	
cable nominal cross-section area (mm ²)		2.5-6	



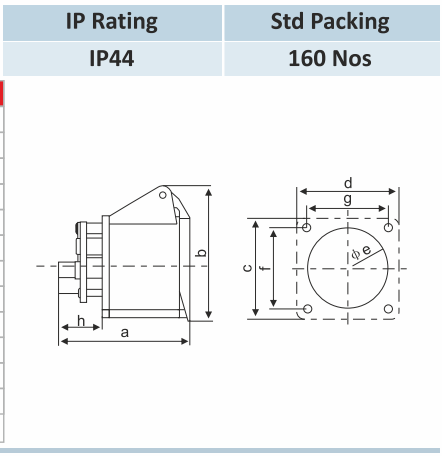
Voltage(V)		220-380V~ 240-415V~	3P+N+E
earth contact position		6h	
rated current (A)		32	
	pole	5	
dimension (mm)	a	153	
	b	107	
	c	71	
	d	70	
	e	57	
	f	20	
	g	32.5	
	h	6.5	
cable nominal cross-section area (mm ²)		2.5-6	



Voltage(V)		220-380V~ 240-415V~	3P+N+E
earth contact position		6h	
rated current (A)		32	
	pole	5	
dimension (mm)	a	154	
	b	100	
	c	70.5	
	Ø	8	
cable nominal cross-section area (mm ²)		2.5-6	

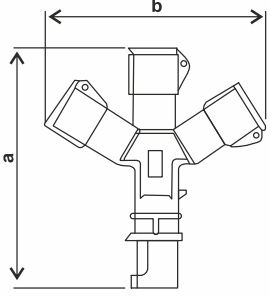


Voltage(V)		220-380V~ 240-415V~	3P+N+E
earth contact position		6h	
rated current (A)		32	
	pole	5	
dimension (mm)	a	93	
	b	95	
	c	70	
	d	70	
	e	56	
	f	56.5	
	g	56.5	
	h	28	
cable nominal cross-section area (mm ²)		2.5-6	



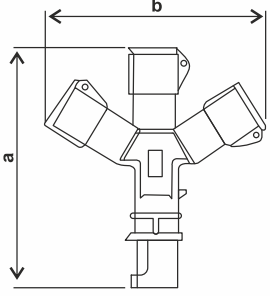
21

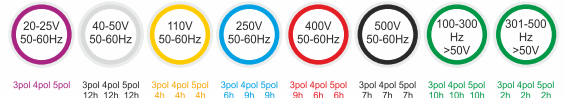
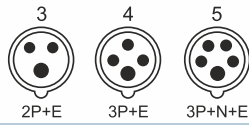
MW-1013
16A/3PIN WAY SOCKET (TRISUL)


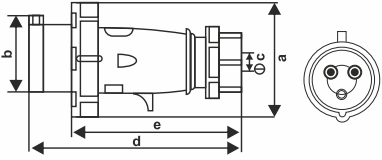
Voltage(V)		IP Rating	Std Packing
220-240V~2P+E		IP44	20 Nos
earth contact position	6h		
rated current (A)	16		
	pole 2P+E		
dimension (mm)	a 223		
	b 220		


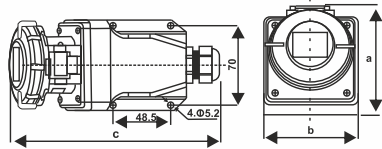
22


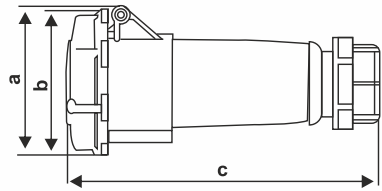
MW-1025
16A/5 PIN WAY SOCKET (TRISUL)


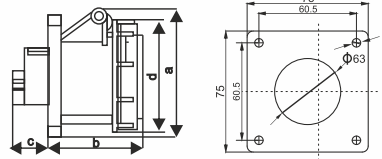
Voltage(V)		IP Rating	Std Packing
220-380V~ 3P+N+E 240-415V~		IP44	20 Nos
earth contact position	6h		
rated current (A)	32		
	pole 5		
dimension (mm)	a 305		
	b 295		


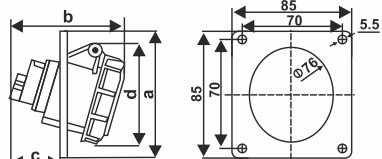



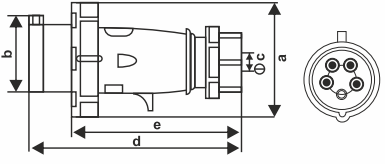

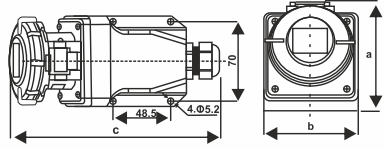

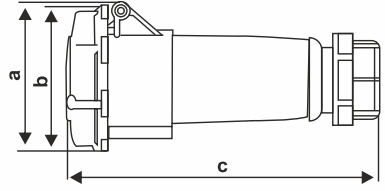

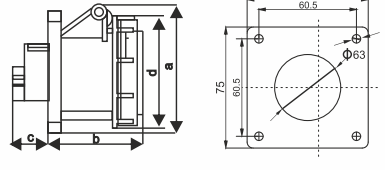

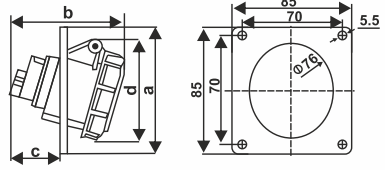
23	Voltage(V)		IP Rating	Std Packing	
	220-250V~2P+E				
 <p>MW-0132 32A/3 Pin Plug</p>	earth contact position	6h		100 Nos	
	rated current (A)	16			
		pole			2P+E
	dimension (mm)	a			75.5
		b			47
		Øc			7-15
		d			139
		e			112
	cable nominal cross-section area (mm ²)	1-2.5			

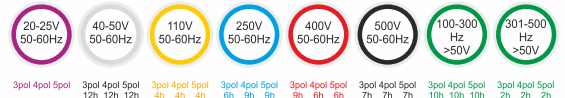
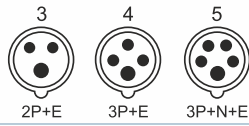
24	Voltage(V)		IP Rating	Std Packing	
	220-250V~2P+E				
 <p>MW-1132 32A/3 Pin Wall Socket</p>	earth contact position	6h		100 Nos	
	rated current (A)	16			
		pole			2P+E
	dimension (mm)	a			95
		b			75
		c			193
	cable nominal cross-section area (mm ²)	1-2.5			

25	Voltage(V)		IP Rating	Std Packing	
	220-250V~2P+E				
 <p>MW-2132 32A/3 Pin Connector</p>	earth contact position	6h		100 Nos	
	rated current (A)	16			
		pole			2P+E
	dimension (mm)	a			79
		b			77
		c			152
	cable nominal cross-section area (mm ²)	1-2.5			

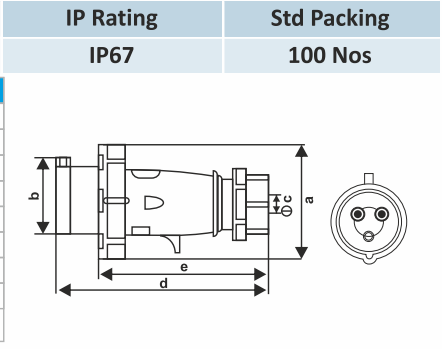
26	Voltage(V)		IP Rating	Std Packing	
	220-250V~2P+E				
 <p>MW-3132 32A/3 Pin Panel Socket</p>	earth contact position	6h		100 Nos	
	rated current (A)	16			
		pole			2P+E
	dimension (mm)	a			81
		b			55.5
		c			32
		d			77
	cable nominal cross-section area (mm ²)	1-2.5			

27	Voltage(V)		IP Rating	Std Packing	
	220-240V~2P+E				
 <p>MW-4132 32A/3 Pin Angular Socket</p>	earth contact position	6h		100 Nos	
	rated current (A)	16			
		pole			2P+E
	dimension (mm)	a			85
		b			90
		c			41
		d			77
	cable nominal cross-section area (mm ²)	1-2.5			

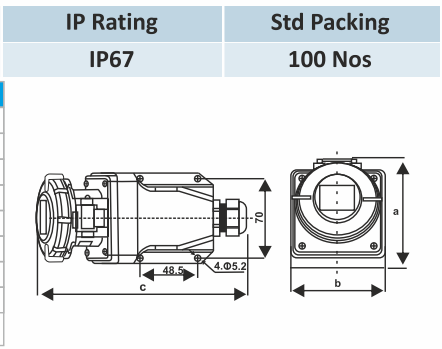
28	 <p>MW-0152 32A/5 Pin Plug</p>	Voltage(V) <u>220-380V~</u> 3P+N+E <u>240-415V~</u>	IP Rating IP67	Std Packing 100 Nos
		earth contact position 6h rated current (A) 16A pole 3P+N+E dimension (mm) a 92 b 60 ∅c 8-16 d 139 e 95 cable nominal cross-section area (mm ²) 1-2.5		
29	 <p>MW-1152 32A/5 Pin Wall Socket</p>	Voltage(V) <u>220-380V~</u> 3P+N+E <u>240-415V~</u>	IP Rating IP67	Std Packing 100 Nos
		earth contact position 6h rated current (A) 16A pole 3P+N+E dimension (mm) a 100 b 75 c 185 cable nominal cross-section area (mm ²) 1-2.5		
30	 <p>MW-2152 32A/5 Pin Connector</p>	Voltage(V) <u>220-380V~</u> 3P+N+E <u>240-415V~</u>	IP Rating IP67	Std Packing 100 Nos
		earth contact position 6h rated current (A) 16A pole 3P+N+E dimension (mm) a 97 b 90 c 160 cable nominal cross-section area (mm ²) 1-2.5		
31	 <p>MW-3152 16A/5 Pin Panel Socket</p>	Voltage(V) <u>220-380V~</u> 3P+N+E <u>240-415V~</u>	IP Rating IP67	Std Packing 100 Nos
		earth contact position 6h rated current (A) 16A pole 3P+N+E dimension (mm) a 96 b 55.5 c 33.5 d 96 cable nominal cross-section area (mm ²) 1-2.5		
32	 <p>MW-4152 16A/5 Pin Angular Panel Socket</p>	Voltage(V) <u>220-380V~</u> 3P+N+E <u>240-415V~</u>	IP Rating IP67	Std Packing 100 Nos
		earth contact position 6h rated current (A) 16A pole 3P+N+E dimension (mm) a 98 b 94 c 41 d 96 cable nominal cross-section area (mm ²) 1-2.5		



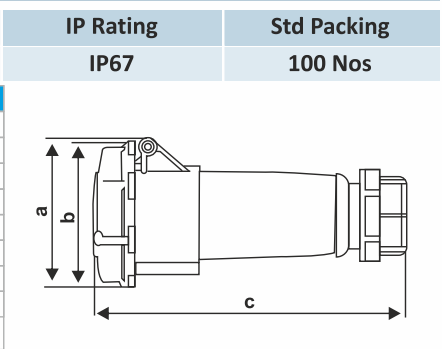
Voltage(V)		IP Rating	Std Packing
220-250V~2P+E		IP67	100 Nos
earth contact position	6h		
rated current (A)	32		
	pole	2P+E	
dimension (mm)	a	99	
	b	63	
	∅c	10-20	
	d	175	
	e	130	
cable nominal cross-section area (mm ²)		2.5-6	



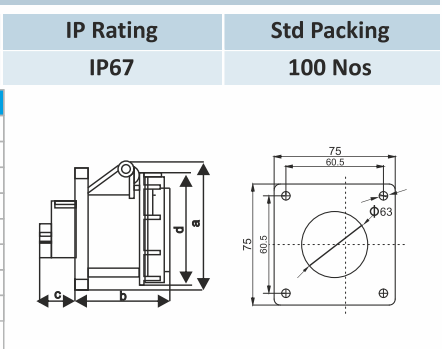
Voltage(V)		IP Rating	Std Packing
220-250V~2P+E		IP67	100 Nos
earth contact position	6h		
rated current (A)	32		
	pole	2P+E	
dimension (mm)	a	105	
	b	75	
	c	203	
cable nominal cross-section area (mm ²)		2.5-6	



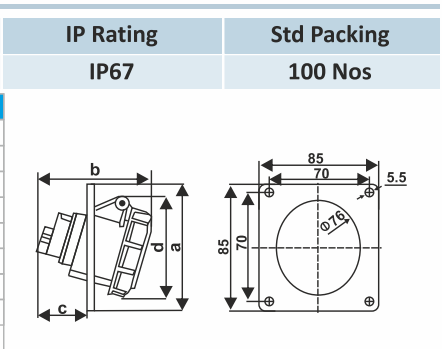
Voltage(V)		IP Rating	Std Packing
220-250V~2P+E		IP67	100 Nos
earth contact position	6h		
rated current (A)	32		
	pole	2P+E	
dimension (mm)	a	102	
	b	102	
	c	205	
cable nominal cross-section area (mm ²)		2.5-6	


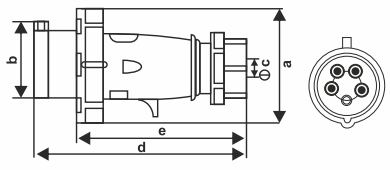

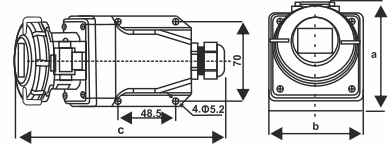

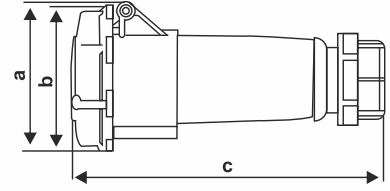

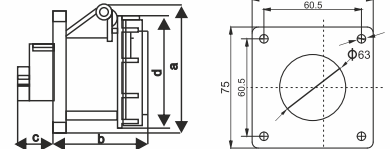

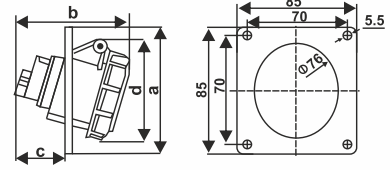



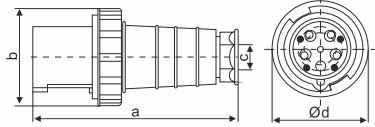

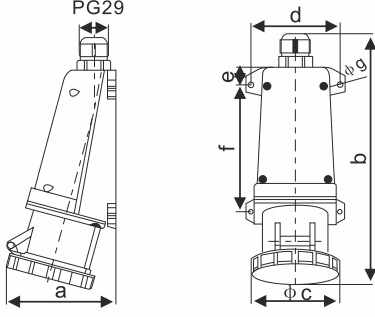

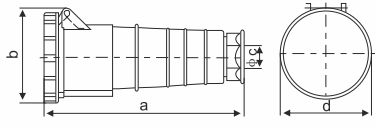

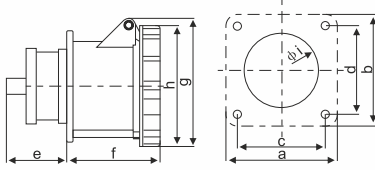
Voltage(V)		IP Rating	Std Packing
220-250V~2P+E		IP67	100 Nos
earth contact position	6h		
rated current (A)	32		
	pole	2P+E	
dimension (mm)	a	99	
	b	66	
	c	38	
	d	102	
cable nominal cross-section area (mm ²)		2.5-6	

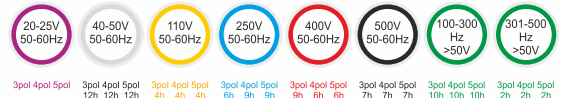
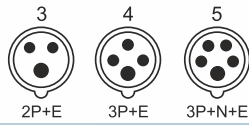


Voltage(V)		IP Rating	Std Packing
220-240V~2P+E		IP67	100 Nos
earth contact position	6h		
rated current (A)	32		
	pole	2P+E	
dimension (mm)	a	99	
	b	114	
	c	53	
	d	101	
cable nominal cross-section area (mm ²)		2.5-6	



38	 <p>MW-0252 32A/5 Pin Plug</p>	Voltage(V) $\frac{220-380V\sim}{240-415V\sim}$ 3P+N+E	IP Rating IP67	Std Packing 100 Nos
		earth contact position 6h rated current (A) 32A pole 3P+N+E dimension (mm) a 107 b 70 \varnothing c 12-22 d 170 e 124 cable nominal cross-section area (mm ²) 2.5-6		
39	 <p>MW-1252 32A/5 Pin Wall Socket</p>	Voltage(V) $\frac{220-380V\sim}{240-415V\sim}$ 3P+N+E	IP Rating IP67	Std Packing 100 Nos
		earth contact position 6h rated current (A) 32A pole 3P+N+E dimension (mm) a 105 b 75 c 200 cable nominal cross-section area (mm ²) 2.5-6		
40	 <p>MW-2252 32A/5 Pin Connector</p>	Voltage(V) $\frac{220-380V\sim}{240-415V\sim}$ 3P+N+E	IP Rating IP67	Std Packing 100 Nos
		earth contact position 6h rated current (A) 32A pole 3P+N+E dimension (mm) a 109 b 103 c 210 cable nominal cross-section area (mm ²) 2.5-6		
41	 <p>MW-3252 32A/5 Pin Panel Socket</p>	Voltage(V) $\frac{220-380V\sim}{240-415V\sim}$ 3P+N+E	IP Rating IP67	Std Packing 100 Nos
		earth contact position 6h rated current (A) 32A pole 3P+N+E dimension (mm) a 104 b 70 c 39 d 109 cable nominal cross-section area (mm ²) 2.5-6		
42	 <p>MW-4252 32A/5 Pin Angular Panel Socket</p>	Voltage(V) $\frac{220-380V\sim}{240-415V\sim}$ 3P+N+E	IP Rating IP67	Std Packing 100 Nos
		earth contact position 6h rated current (A) 32A pole 3P+N+E dimension (mm) a 105 b 110 c 41 d 108 cable nominal cross-section area (mm ²) 2.5-6		

43		Voltage(V)	220-380V~ 240-415V~ 3P+N+E	IP Rating	IP67	Std Packing	10 Nos
		earth contact position	6h				
rated current (A)	63						
pole	5						
dimension (mm)	a 231.5						
	b 110						
	c 16-38						
	Ø 110						
	cable nominal cross-section area (mm ²)	6-16					
44		Voltage(V)	220-380V~ 240-415V~ 3P+N+E	IP Rating	IP67	Std Packing	10 Nos
		earth contact position	6h				
rated current (A)	63						
pole	5						
dimension (mm)	a 134						
	b 311						
	c 108						
	d 111						
	e 20						
	f 153						
	g 6						
	cable nominal cross-section area (mm ²)	6-25					
45		Voltage(V)	220-380V~ 240-415V~ 3P+N+E	IP Rating	IP67	Std Packing	10 Nos
		earth contact position	6h				
rated current (A)	63						
pole	5						
dimension (mm)	a 240						
	b 115						
	c 16-38						
	d 108						
	cable nominal cross-section area (mm ²)	6-16					
46		Voltage(V)	220-380V~ 240-415V~ 3P+N+E	IP Rating	IP67	Std Packing	30 Nos
		earth contact position	6h				
rated current (A)	63						
pole	5						
dimension (mm)	a 100						
	b 100						
	c 80						
	d 80						
	e 54.5						
	f 88						
	g 114						
	h 108						
	i 70						
	cable nominal cross-section area (mm ²)	6-25					



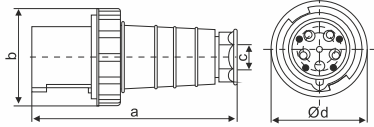
47



MW-045
125A/5 Pin Plug

Voltage(V)	220-380V~ 3P+N+E 240-415V~ 3P+N+E	
earth contact position	6h	
rated current (A)	125	
dimension (mm)	pole	5
	a	293
	b	125
	c	30-50
	Ø	125
cable nominal cross-section area (mm ²)	16-50	

IP Rating	IP44
Std Packing	100 Nos



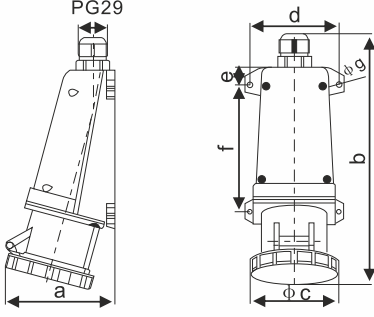
48



MW-145
125A/5 Pin Wall Socket

Voltage(V)	220-380V~ 3P+N+E 240-415V~ 3P+N+E	
earth contact position	6h	
rated current (A)	125	
dimension (mm)	pole	5
	a	154
	b	338
	c	122
	d	130
	e	20
	f	185
g	6.2	
cable nominal cross-section area (mm ²)	25-70	

IP Rating	IP44
Std Packing	100 Nos



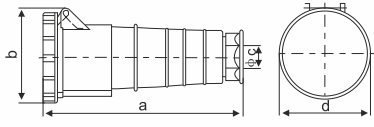
49



MW-245
125A/5 Pin Connector

Voltage(V)	220-380V~ 3P+N+E 240-415V~ 3P+N+E	
earth contact position	6h	
rated current (A)	125	
dimension (mm)	pole	5
	a	303
	b	128
	d	120
cable nominal cross-section area (mm ²)	16-50	

IP Rating	IP44
Std Packing	100 Nos



50



MW-345
125A/5 Pin Panel Socket

Voltage(V)	220-380V~ 3P+N+E 240-415V~ 3P+N+E	
earth contact position	6h	
rated current (A)	125	
dimension (mm)	pole	5
	a	120
	b	120
	c	101
	d	101
	e	68
	f	96
	g	129
	h	122
i	88	
cable nominal cross-section area (mm ²)	25-70	

IP Rating	IP44
Std Packing	100 Nos

