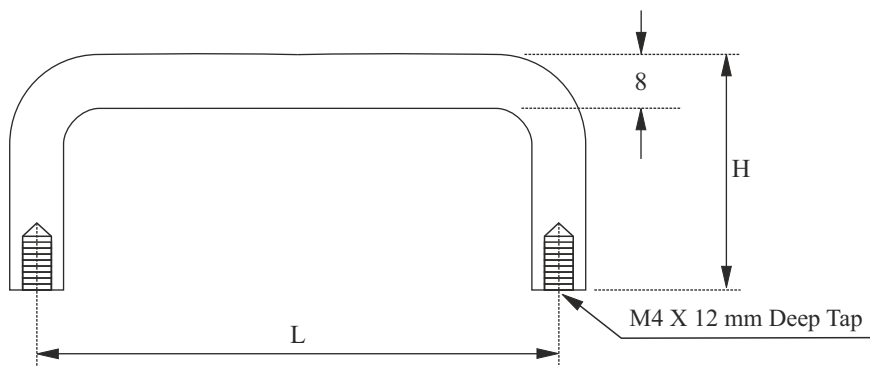




HANDLES

U Rod Handle

NDH-02-8



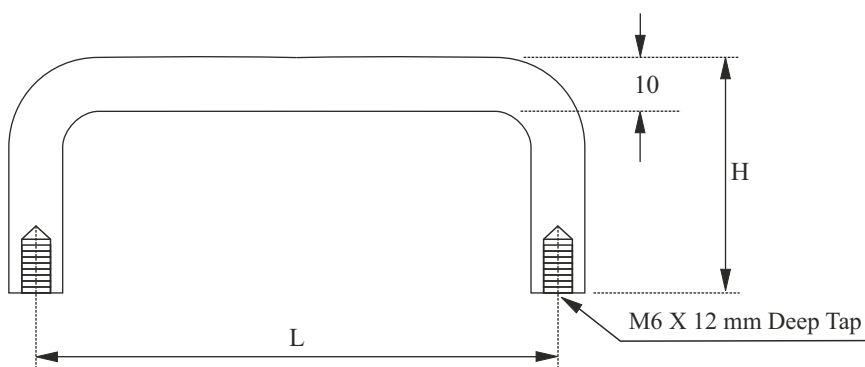
Available in SS and MS
 Customised Handles made against Minimum Order Request

Catalogue Number	H	L
NDH-02-8-50	30	50
NDH-02-8-75	30	75
NDH-02-8-88	30	88
NDH-02-8-100	30	100
NDH-02-8-125	35	125
NDH-02-8-150	35	150

Handles

U Rod Handle

NDH-02-10

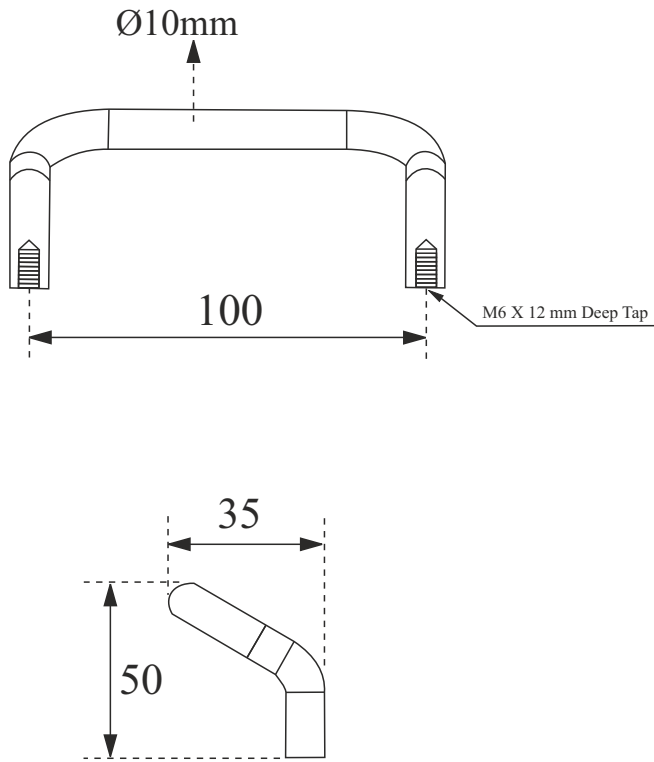


Available in SS and MS
 Customised Handles made against Minimum Order Request

Catalogue Number	H	L
NDH-02-10-100	35	100
NDH-02-10-125	35	125
NDH-02-10-150	35	150

Bend Rod Handle

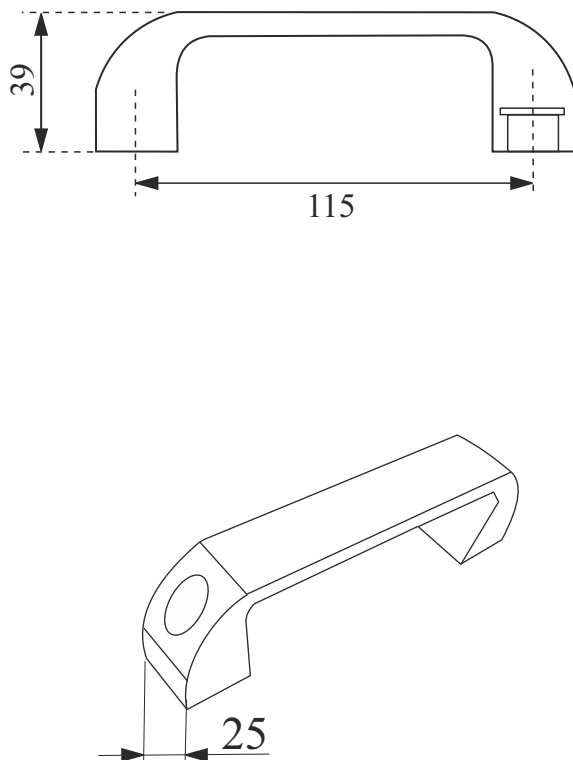
NDH-02B



Available in SS and MS
Customised Handles made against Minimum Order Request

Polyamide Handle

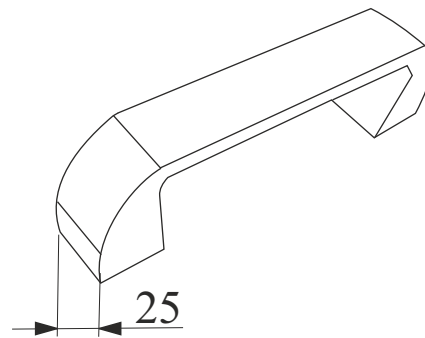
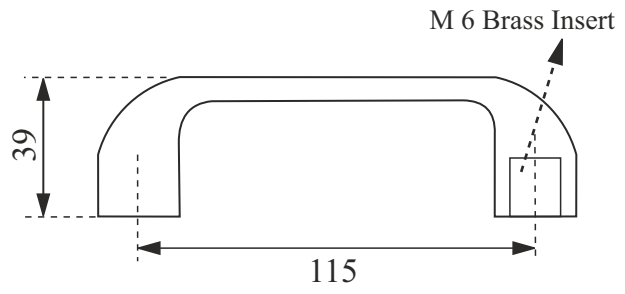
NDH-03



Material - Polyamide

Polyamide Handle

NDH-03I

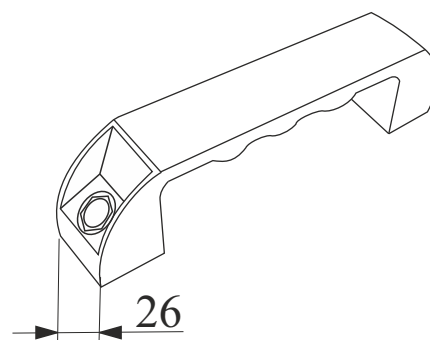
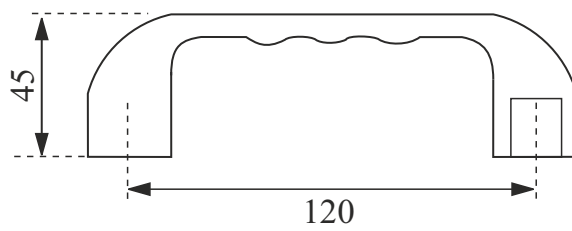


Material - Polyamide
With Brass Insert

Handles

Polyamide Handle

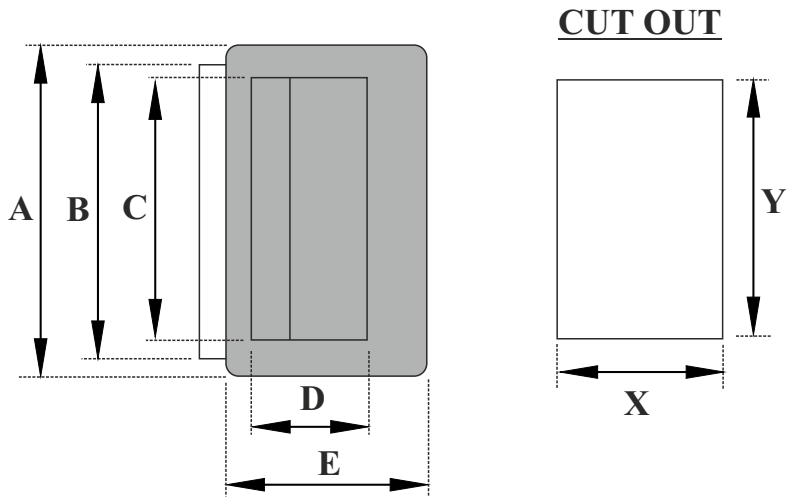
NDH-03D



Material - Polyamide

Pocket Handle

NDH-04



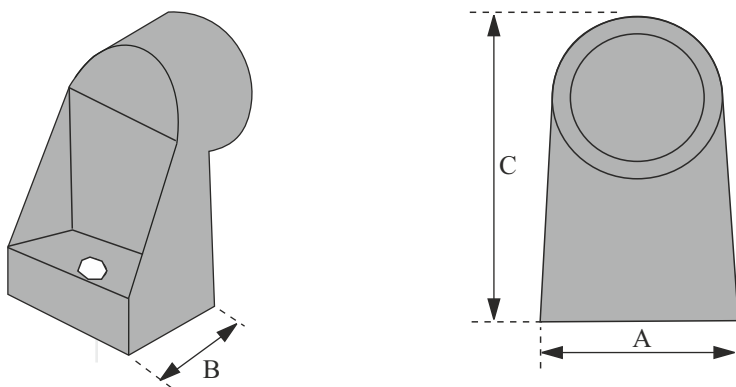
Material : Polyamide PA6GF30

Catalogue Number	A	B	C	D	E	X	Y
NDH-04S	92.5	83	77	25	44	35	85
NDH-04B	109.5	99	93.5	37	58	50	99.5

Handles

Pipe Handle

NDH-05

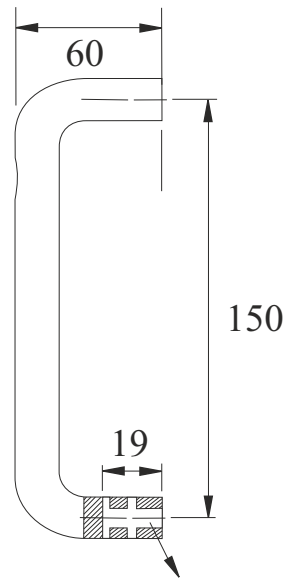


Material - Polyamide

Catalogue Number	A	B	C	Rod
NDH-05S	38	30	72	Ø22
NDH-05B	45	36	84	Ø30

U Handle

NDH-06



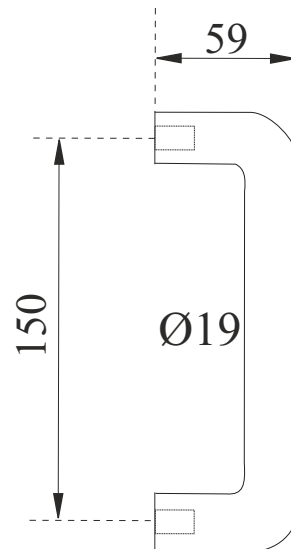
M6 Brass Insert suitable for
M6 x 15 Bolt/Screw

Material - Polyamide
With Brass Insert

Handles

U Rod Handle

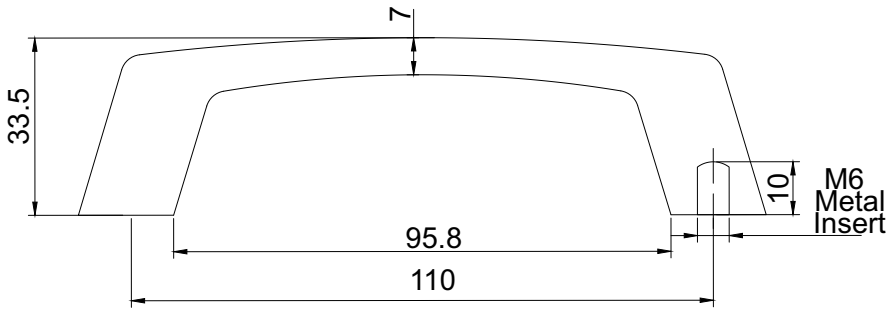
NDH-07



Material - Aluminium

Polyamide Handle

NDH-08

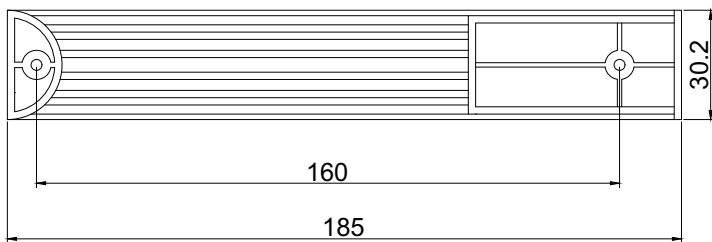
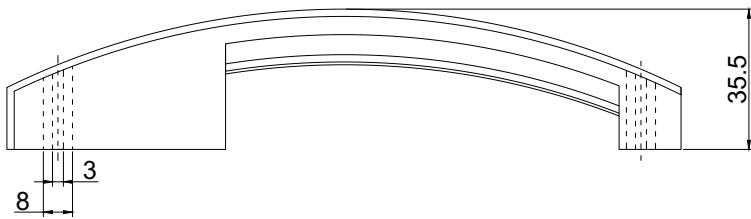


Material - Polyamide
With Brass Insert



ABS Handle

NDH-09

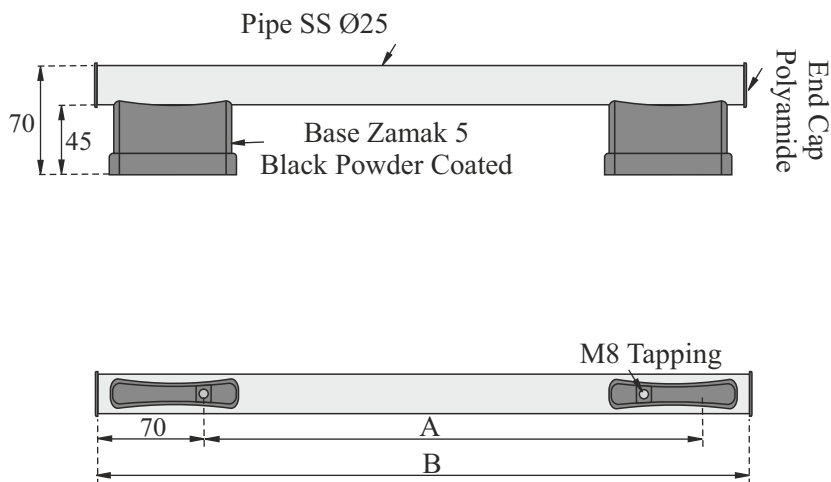


Material - ABS Grey



Pipe Handle

NDH-10D



Customised Handles made against Minimum Order Request

Catalogue Number	A	B
NDH-10D-340	200	340
NDH-10D-440	300	440
NDH-10D-540	400	540
NDH-10D-990	850	990

Handles

Pipe Handle

NDH-10DD



Customised Handles made against Minimum Order Request

Catalogue Number	A	B
NDH-10DD-340	200	340
NDH-10DD-440	300	440
NDH-10DD-540	400	540
NDH-10DD-990	850	990